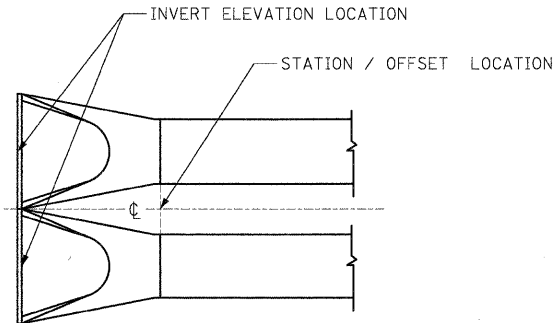
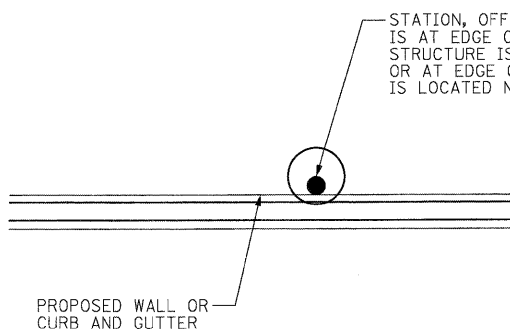


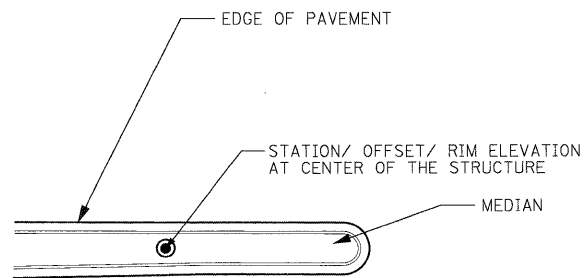
CULVERT FLARED END SECTION
NOT TO SCALE



DOUBLE CULVERT FLARED END SECTIONS
NOT TO SCALE

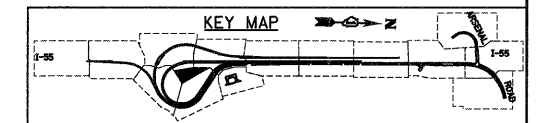
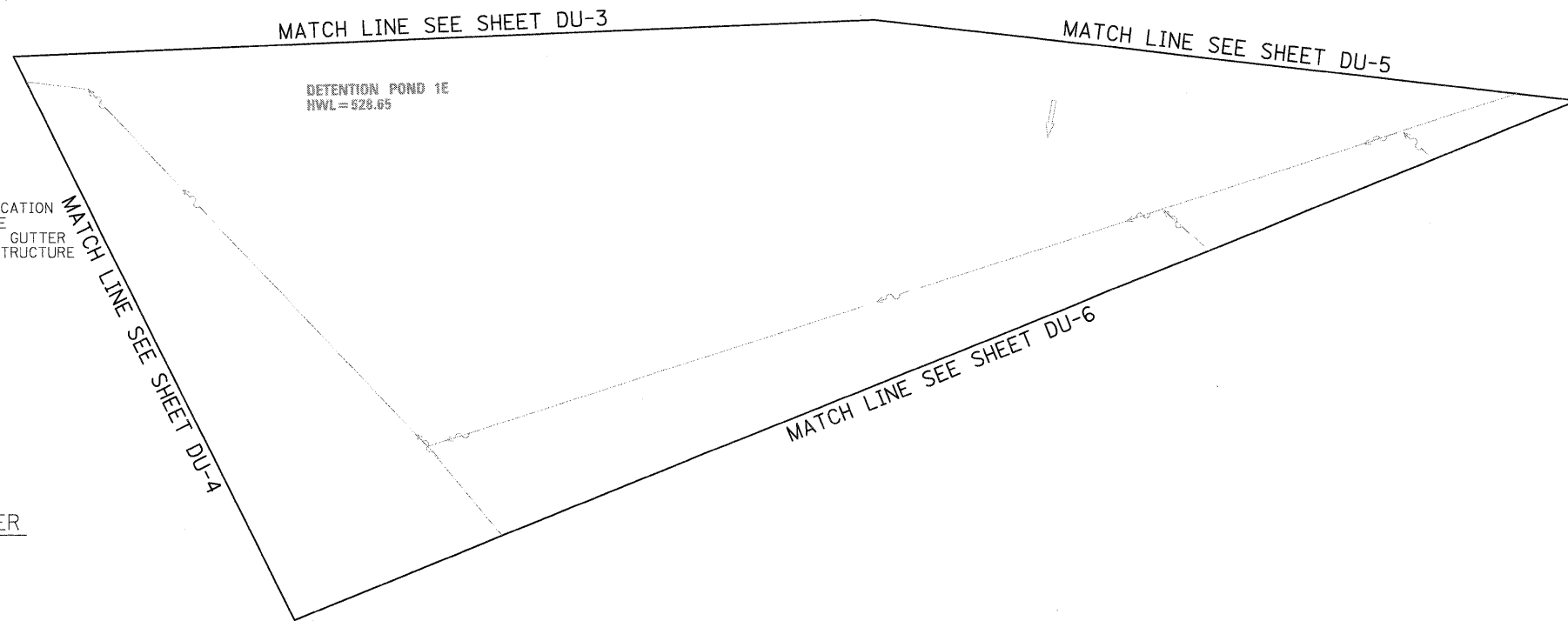


DRAINAGE STRUCTURE ALONG WALL OR CURB AND GUTTER
NOT TO SCALE



DRAINAGE STRUCTURE IN MEDIAN OR DITCH
NOT TO SCALE

DRAINAGE STRUCTURE LOCATION DETAILS



SINGH
 SINGH & ASSOCIATES, INC.
 CONSULTING ENGINEERS

FILE NAME =
D:\62\F12-SHT-DRAIN15.dgn

USER NAME = TKluagel
 PLOT SCALE = 1:50
 PLOT DATE = 2/3/2011

DESIGNED - PKT
 DRAWN - VP
 CHECKED - CL
 DATE - 2/4/11

REVISED -
 REVISED -
 REVISED -
 REVISED -

**STATE OF ILLINOIS
DEPARTMENT OF TRANSPORTATION**

**DRAINAGE AND UTILITY PLAN
AND DRAINAGE STRUCTURE DETAILS**

SCALE: 1"=50' SHEET NO. 15 OF 25 SHEETS STA. TO STA.

F.A.I. RTE.	SECTION	COUNTY	TOTAL SHEETS	SHEET NO.
55	99-2HB-2B-1	WILL	756	181
CONTRACT NO. 60F12				

FED. ROAD DIST. NO. 1 ILLINOIS FED. AID PROJECT