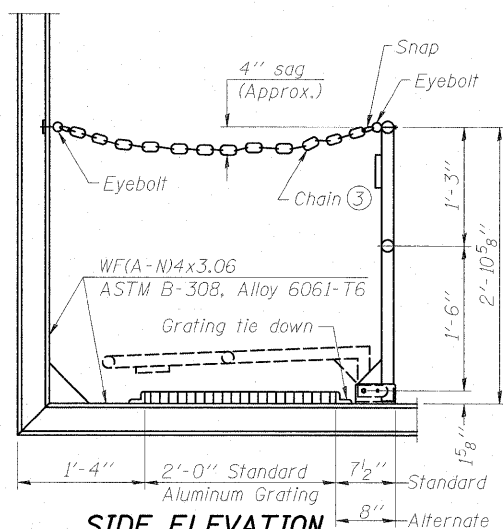
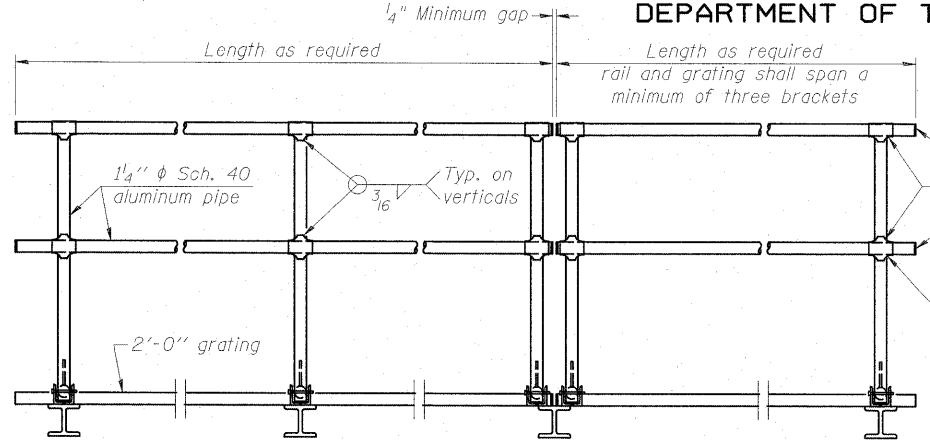


STATE OF ILLINOIS
DEPARTMENT OF TRANSPORTATION



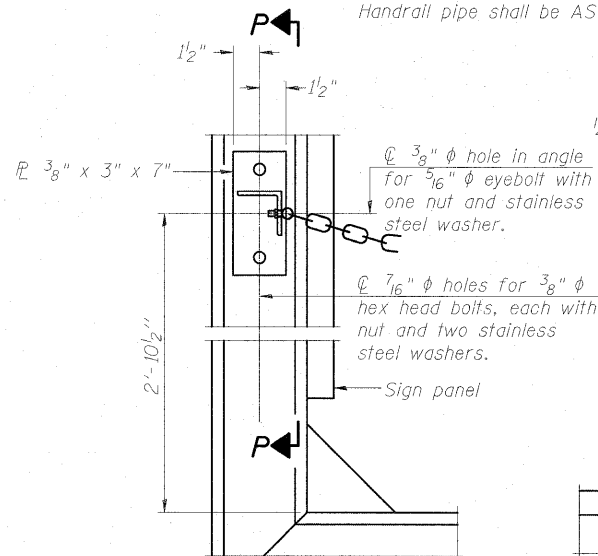
SIDE ELEVATION
(Showing Safety Chain W/O Sign)



FRONT ELEVATION

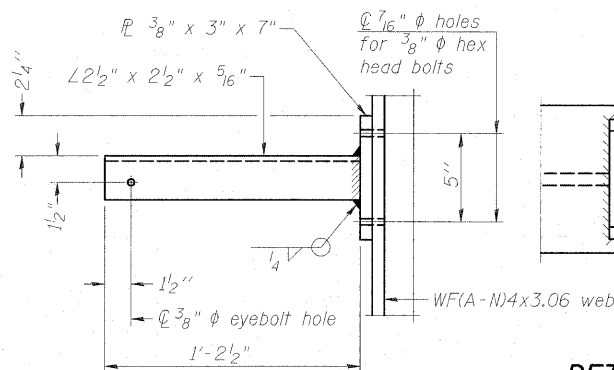
HANDRAIL DETAILS

Handrail pipe shall be ASTM B241 or B429, Alloy 6063-T6 or Alloy 6061-T6.

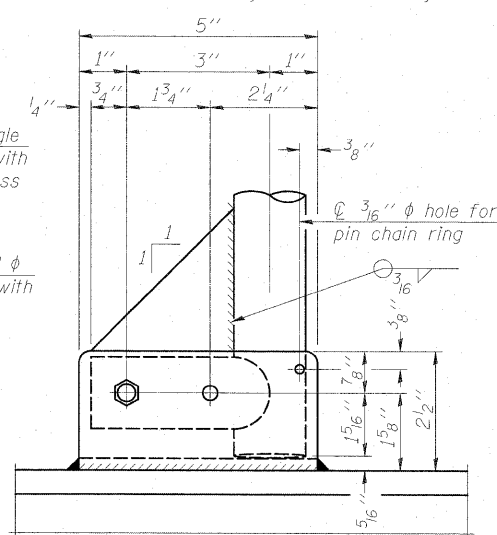


ALTERNATE SAFETY CHAIN ATTACHMENT
(With Sign Present)

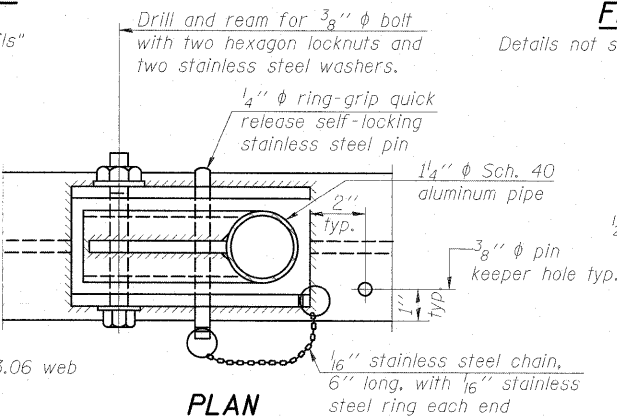
Items not shown same as "Side Elevation" of "Handrail Details"



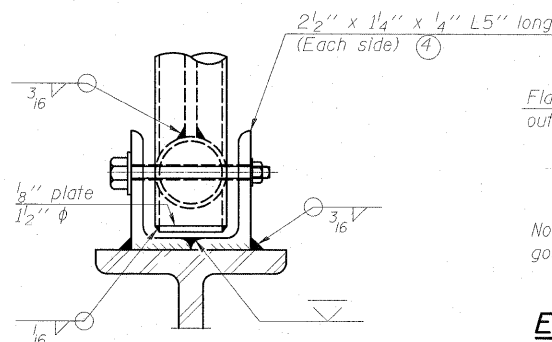
SECTION P-P



SIDE ELEVATION

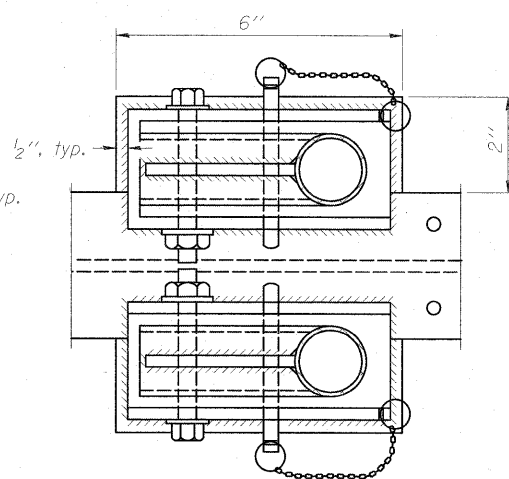


PLAN
DETAIL E HANDRAIL HINGE



FRONT ELEVATION

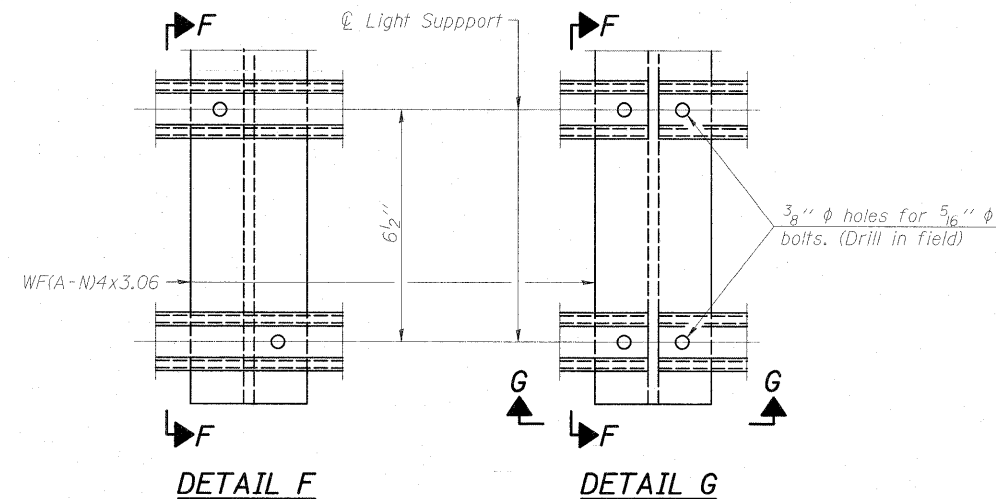
Details not shown same as "ELEVATION" at right.



PLAN AT HANDRAIL JOINT

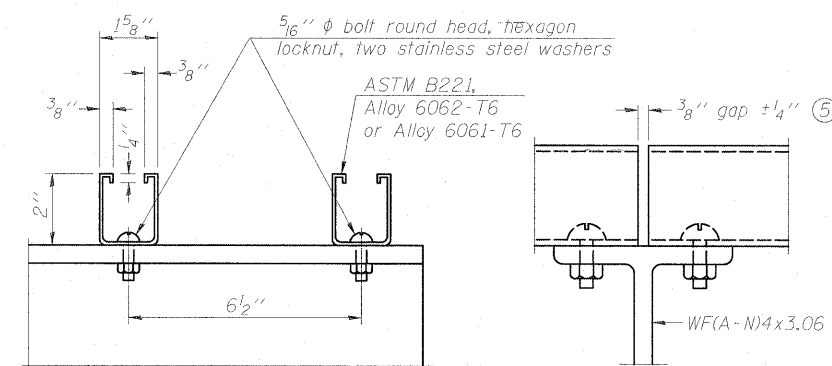
Details not shown same as "PLAN"

- Install standard force-fit end caps or weld 1/8" end plates with 1/8" c.f.w. and grind smooth. (All rail ends)
- Horizontal handrail member shall be continuous thru fitting. Provide 7/16" diameter hole in fitting for 3/8" diameter bolt. Field drill 7/16" diameter hole in horizontal rail member. Provide locknut and two stainless steel washers for bolt. (Use 5/16" diameter eyebolts in 7/16" diameter holes on top rail at ends only.)



DETAIL F

DETAIL G

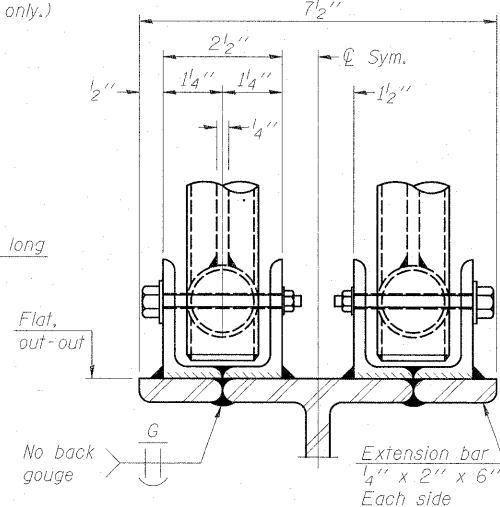


SECTION F-F

SECTION G-G

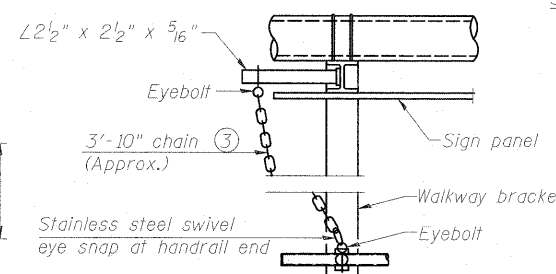
LIGHTING FIXTURE MOUNTS (IF REQUIRED)

- Field cut ends of light support channels shall be free of burrs or hazardous projections and coated with zinc-rich primer or equivalent.



ELEVATION AT HANDRAIL JOINT

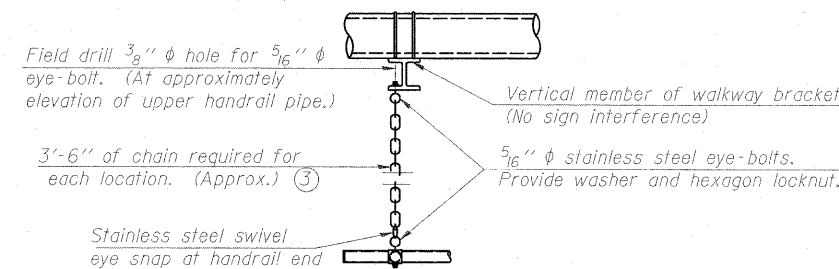
Details not shown same as "FRONT ELEVATION"



ALTERNATE SAFETY CHAIN ATTACHMENT

Details not shown similar to "Safety Chain" Details (Walkway omitted for clarity)

- 3/16" Type 304L stainless steel chain, approximately 12 links per foot.
- Extrusions may be used in lieu of the details shown, with approval of the Engineer.



SAFETY CHAIN

One required for each end of each walkway.

**WALKWAY, GRATING, HANDRAIL,
AND LIGHT FIXTURE ARE NOT REQUIRED**

**CANTILEVER SIGN STRUCTURES
HANDRAIL DETAILS
ALUMINUM TRUSS & STEEL POST
F.A.I. RT. 55 - SEC. (99-1&2)R-6
WILL COUNTY**

DESIGNED
CHECKED
DRAWN
CHECKED

NUMBER	REVISION	DATE



McDonough Associates Inc.
Engineers / Architects
130 East Randolph Street
Chicago, Illinois 60601
(312) 946-8600

SHEET NO. SD-23 SHEETS	F.A.I. RTE. 55	SECTION (99-1&2) R-6	COUNTY WILL	TOTAL SHEETS 756	SHEET NO. 327
FED. ROAD DIST. NO.			ILLINOIS FED. AID PROJECT		
CONTRACT NO. 60F12					