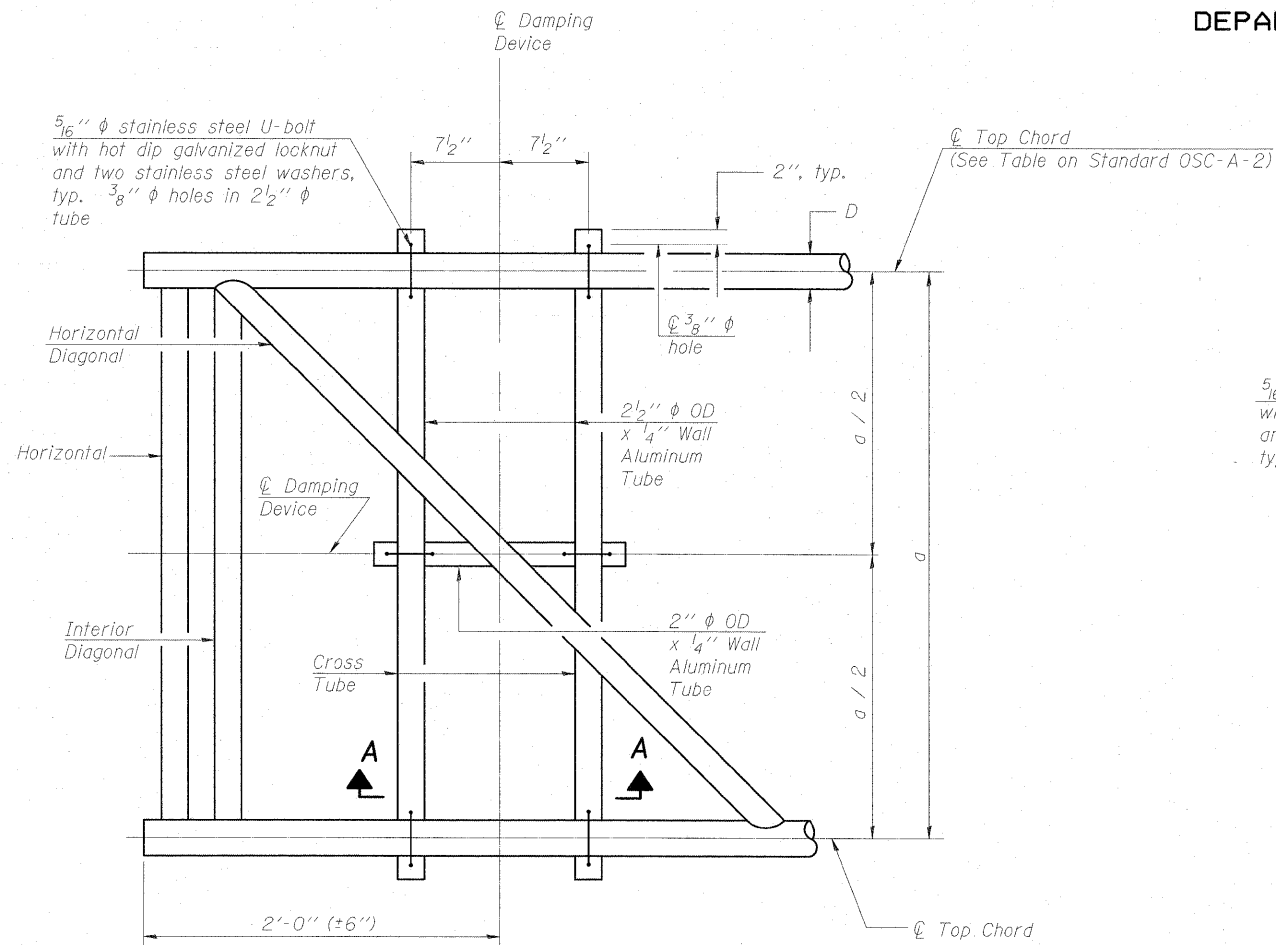
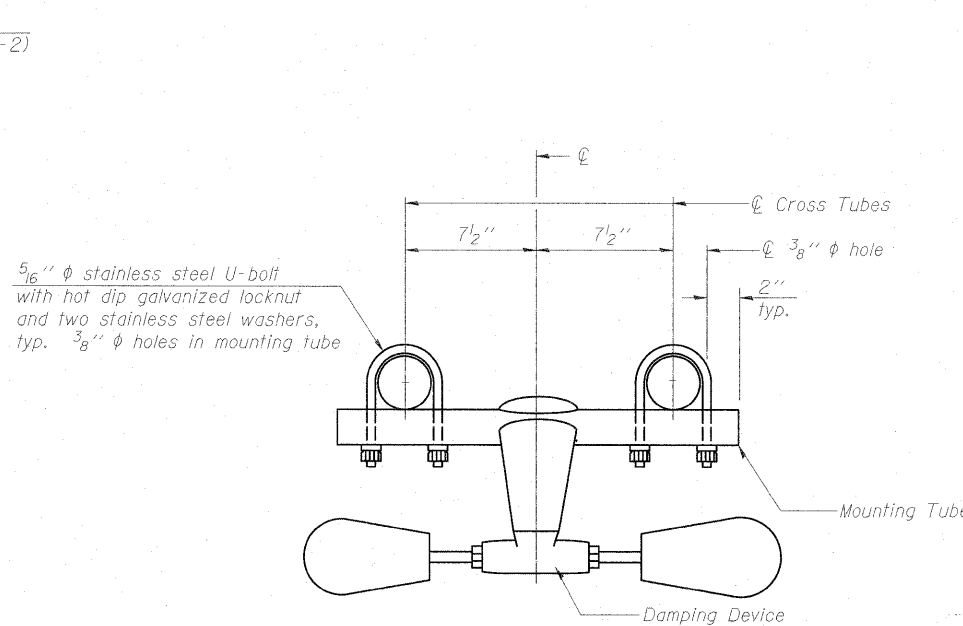


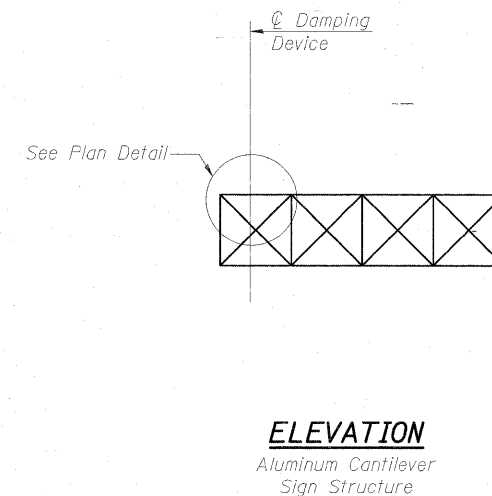
STATE OF ILLINOIS
DEPARTMENT OF TRANSPORTATION



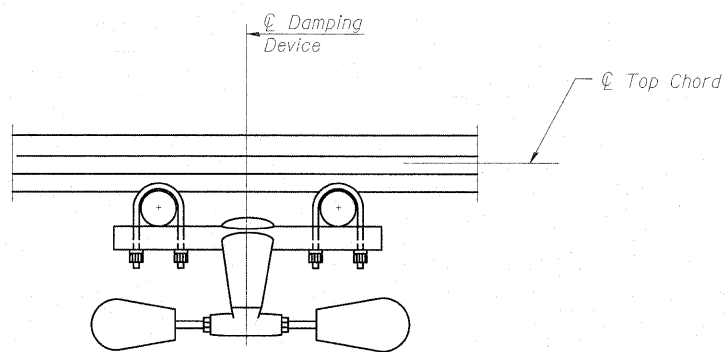
PLAN DETAIL



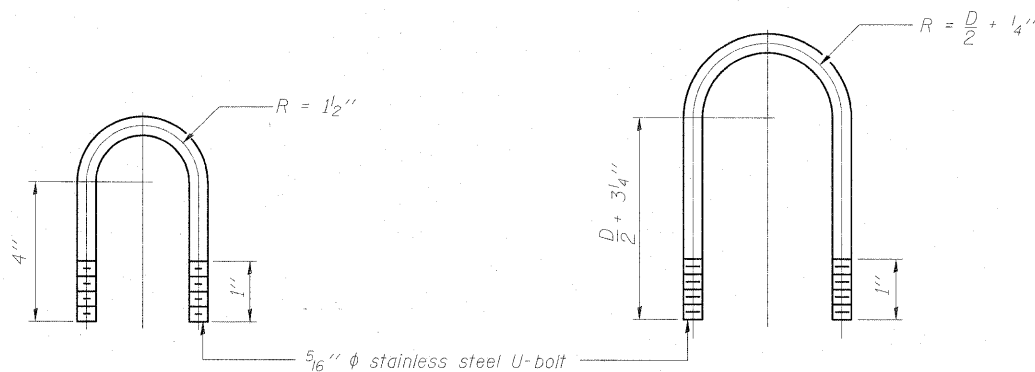
**TRUSS DAMPING
DEVICE CONNECTION DETAIL**



ELEVATION
Aluminum Cantilever
Sign Structure



SECTION A-A



**DAMPING DEVICE MOUNTING
TUBE U-BOLT DETAIL**
(Typical)

**TOP CHORD TO CROSS TUBE
U-BOLT DETAIL**
(Typical)

- GENERAL NOTES**
- Damper: One damper per truss. (31 lbs. Stockbridge-Type Aluminum-29" minimum between ends of weights)
 - Materials: Aluminum tubes shall be ASTM B221 alloy 6061 temper T6

**CANTILEVER SIGN STRUCTURE
DAMPING DEVICE
F.A.I. RT. 55 - SEC. (99-1&2)R-6
WILL COUNTY**

DESIGNED
CHECKED
DRAWN
CHECKED

OSC-A-D

12-1-08



McDonough Associates Inc.
Engineers / Architects
130 East Randolph Street
Chicago, Illinois 60601
(312) 946-8600

SHEET NO. SD-25 SHEETS	F.A.I. RTE.	SECTION	COUNTY	TOTAL SHEETS	SHEET NO.
	55	(99-1&2) R-6	WILL	756	329
			CONTRACT NO. 60F12		
FED. ROAD DIST. NO.		ILLINOIS FED. AID PROJECT			