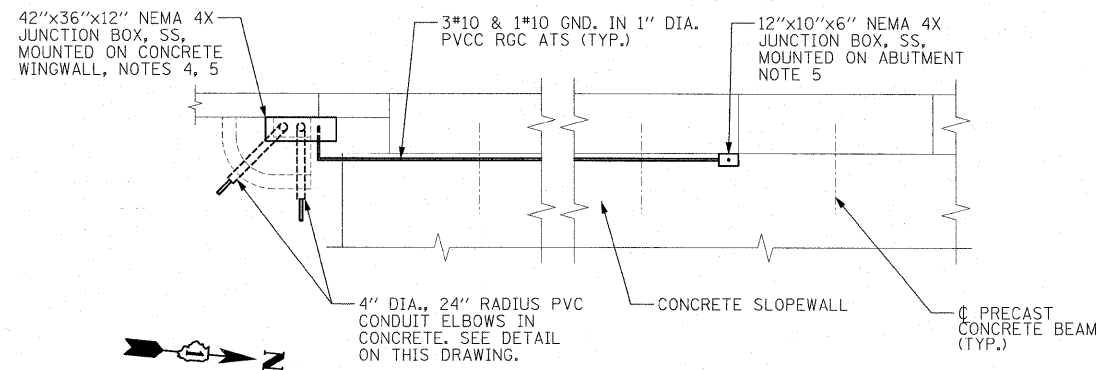
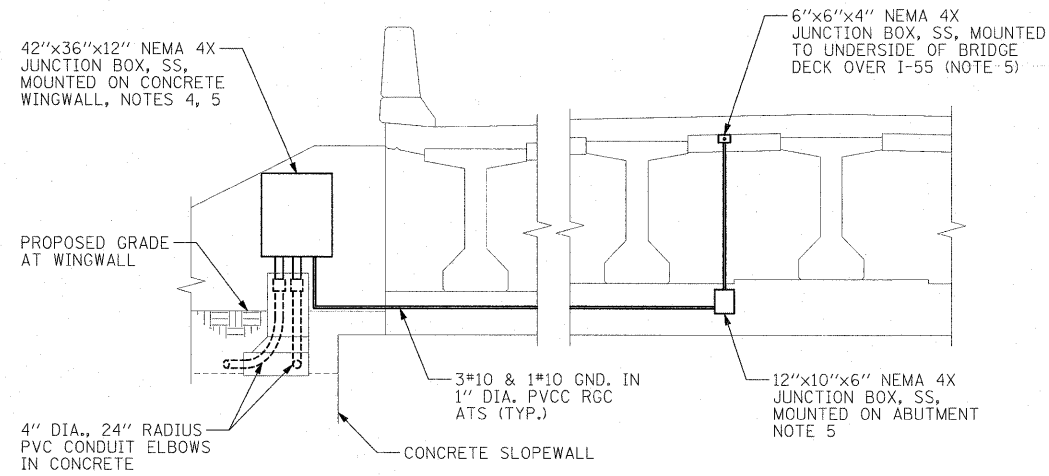


NOTES:

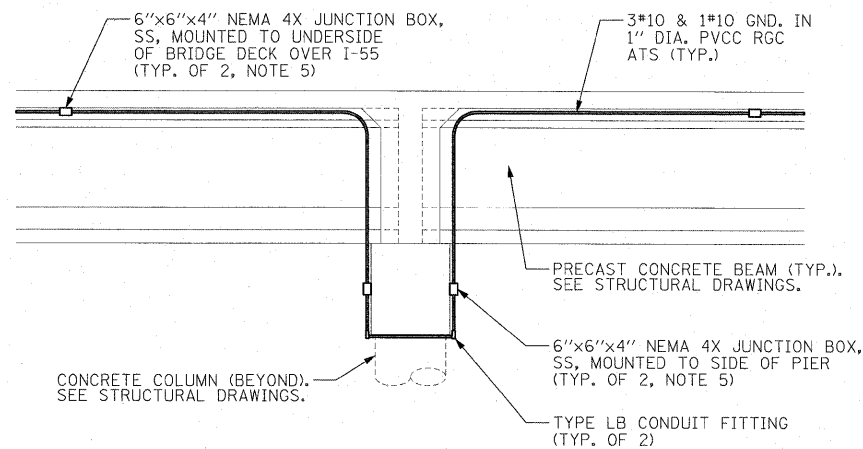
1. SEE DRAWING GE-1 FOR ELECTRICAL SYMBOL LIST AND ABBREVIATIONS. SEE DRAWING GE-2 FOR ELECTRICAL GENERAL NOTES AND SUGGESTED LIGHTING PHASING NOTES.
2. SEE DRAWINGS RL-4-7 AND UL-2 FOR LIGHTING FIXTURES, JUNCTION BOXES, AND UNIT DUCT ROUTING AT WEST FRONTAGE CONNECTOR BRIDGE. SEE IDOT STANDARD DRAWING BE-900 FOR FIXTURE MOUNTING DETAILS.
3. SEE STRUCTURAL DRAWINGS SF1 THRU SF24 FOR WEST FRONTAGE CONNECTOR BRIDGE CONCRETE ABUTMENT, PIER, AND DECK BEAM DETAILS. SEE DRAWING GP-13 (VOLUME 1) FOR FINAL GRADING AT WEST FRONTAGE CONNECTOR BRIDGE.
4. JUNCTION BOX CONTAINS 30A FUSES AND SOLID SLUG FOR NEUTRAL CONDUCTOR. SEE DRAWING UL-1 FOR TYPICAL UNDERPASS LIGHTING UNIT WIRING DIAGRAM.
5. SEE DRAWING ED-3 FOR JUNCTION BOX MOUNTING DETAIL.
6. THE COST OF 4" DIA. PVCC RGC, ATS AND CONCRETE ENCASUREMENT SHALL BE INCLUDED IN THE COST OF "JUNCTION BOX, STAINLESS STEEL, ATTACHED TO STRUCTURE, 42"x36"x12" PAY ITEM. SEPARATE PAYMENT WILL NOT BE MADE.



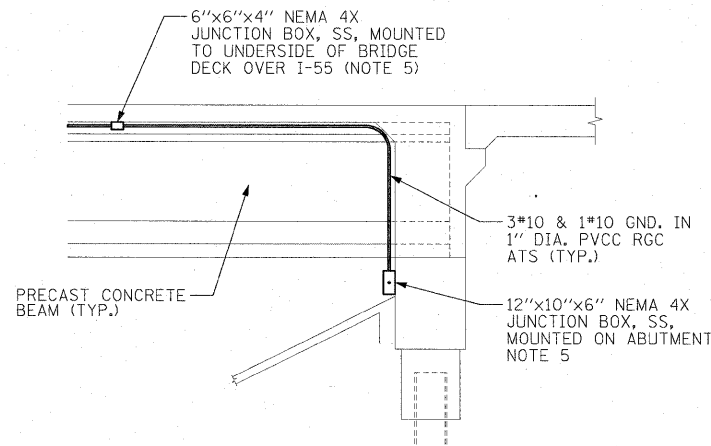
WEST BRIDGE ABUTMENT PLAN
N.T.S. (NOTES 2, 3)



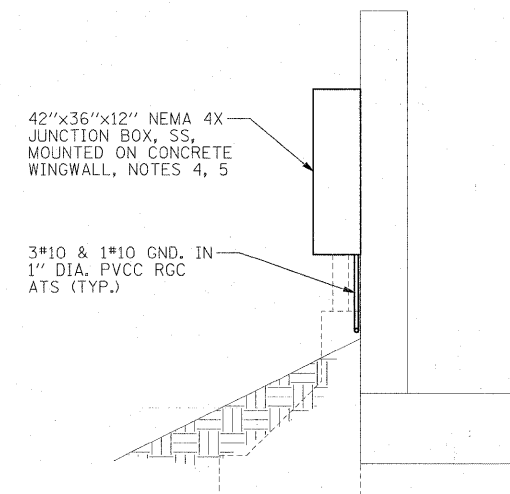
WEST ABUTMENT-EAST ELEVATION
N.T.S.



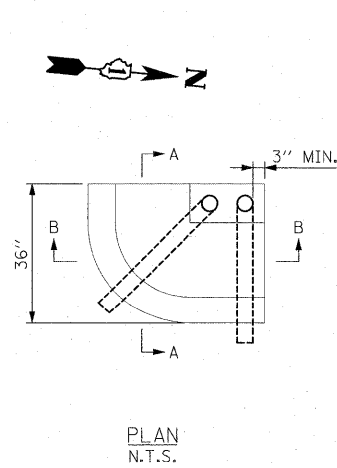
CENTER PIER-SECTION
(LOOKING SOUTH)
N.T.S.



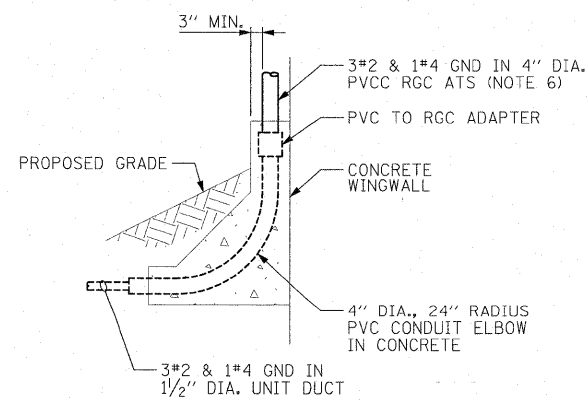
WEST ABUTMENT-SECTION
(LOOKING SOUTH)
N.T.S.



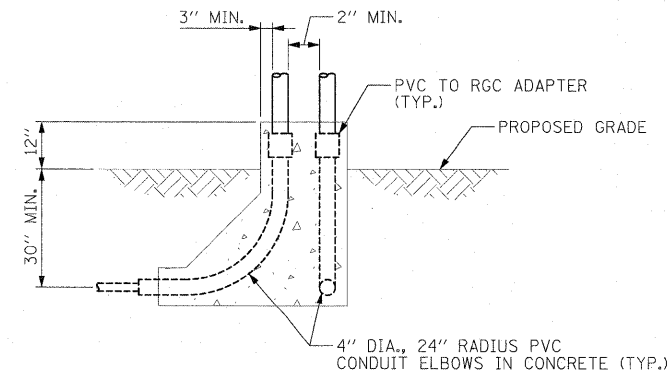
WEST ABUTMENT WINGWALL SECTION
(LOOKING SOUTH)
N.T.S.



PLAN
N.T.S.



SECTION A-A
N.T.S.



SECTION B-B
N.T.S.

CONDUIT ENCASUREMENT DETAIL
N.T.S.

FILE NAME =	USER NAME = TKluegel	DESIGNED - JLW	REVISED -
D:\160\F12-SHT-ED-4.dgn		DRAWN - CJM	REVISED -
		CHECKED - KMY	REVISED -
		DATE - 2/4/11	REVISED -

F.A.I. RTE.	SECTION	COUNTY	TOTAL SHEETS	SHEET NO.
55	99-2HB-2B-1	WILL	756	419
CONTRACT NO. 60F12			ILLINOIS FED. AID PROJECT	