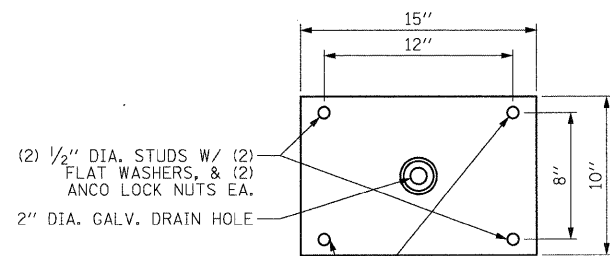
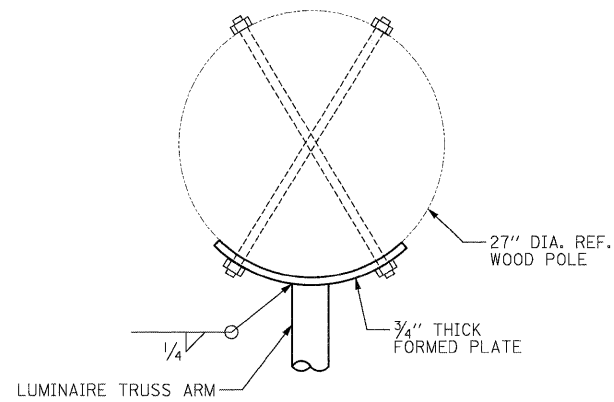
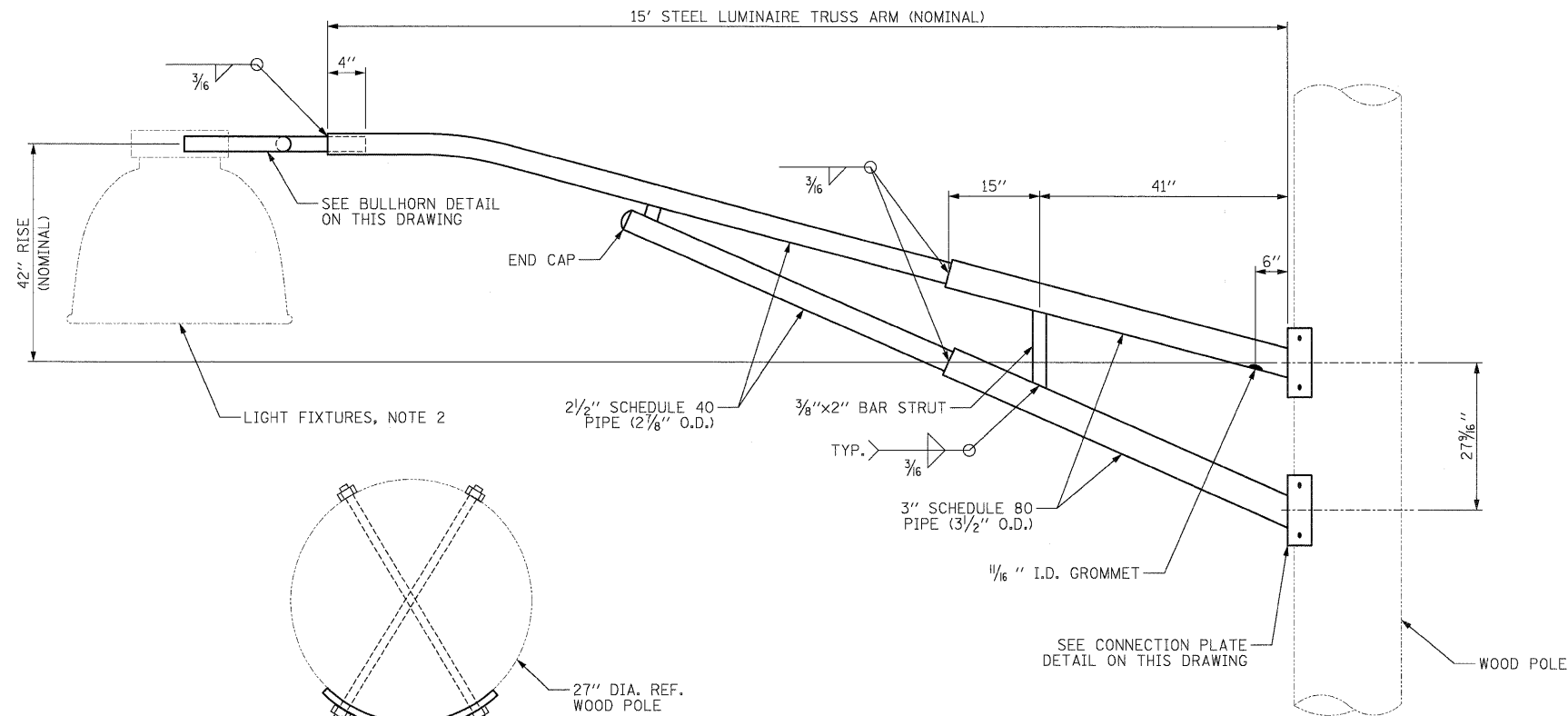
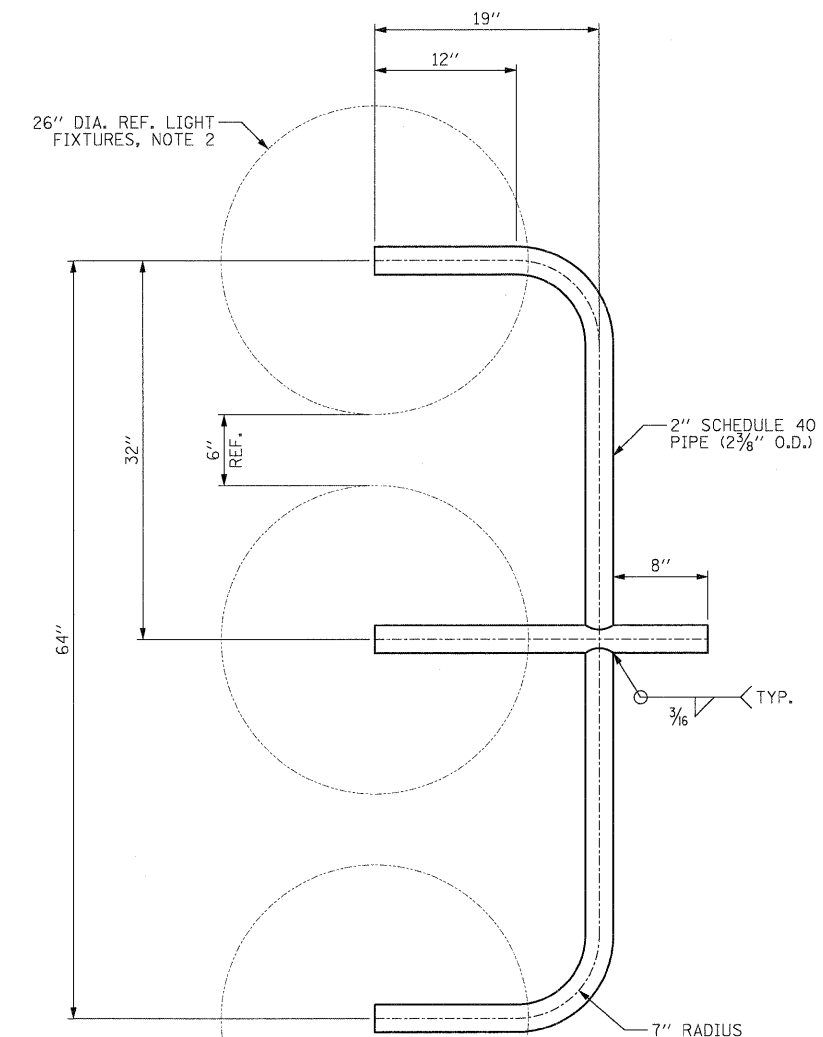


NOTES:

- SEE DRAWING GE-1 FOR ELECTRICAL SYMBOL LIST AND ABBREVIATIONS. SEE DRAWING GE-2 FOR ELECTRICAL GENERAL NOTES AND SUGGESTED LIGHTING PHASING NOTES.
- LUMINAIRE SHALL BE HORIZONTAL MOUNTED 750W HPS, HIGH MAST LUMINAIRE.



LUMINAIRE TRUSS ARM
CONNECTION PLATE DETAIL
N.T.S.



BULLHORN DETAIL
N.T.S.

DESIGN CRITERIA:

- DESIGNED IN ACCORDANCE WITH 1994 AASHTO "STANDARD SPECIFICATIONS FOR STRUCTURAL SUPPORTS FOR HIGHWAY SIGNS, LUMINAIRES, AND TRAFFIC SIGNALS" FOR 90 MILE PER HOUR WIND ZONE.
- CONTRACTOR TO CONFIRM ALL DIMENSIONS & ORIENTATIONS BEFORE RELEASING ORDER FOR MANUFACTURING.

MATERIALS	
PIPE	ASTM A501 or A53 GRADE B
PLATE	ASTM A36
LUM ARM STUDS	ASTM A307
ANCO LOCK NUTS	ASTM A563 GRADE DH
WASHERS	ASTM F436
STRUCTURE FINISH	PER SALES ORDER
HARDWARE FINISH	HD GALV TO ASTM A153

FILE NAME = D180F12-SHT-ED-7.dgn	USER NAME = TKLuegel	DESIGNED - DRAWN - CJM	REVISED - REVISED -	STATE OF ILLINOIS DEPARTMENT OF TRANSPORTATION	I-55 AT ARSENAL ROAD TEMPORARY LIGHTING DETAILS 2 OF 2			F.A.I RTE. 55	SECTION 99-2HB-2B-1	COUNTY WILL	TOTAL SHEETS 756	SHEET NO. 422
PLOT SCALE = 1:1	CHECKED - KMY	REVISED -	REVISED -		SCALE:	SHEET NO. 2 OF 2 SHEETS	STA.	TO STA.	CONTRACT NO. 60F12			
PLOT DATE = 2/3/2011	DATE - 2/4/11	REVISED -	REVISED -		FED. ROAD DIST. NO. 1 ILLINOIS FED. AID PROJECT							