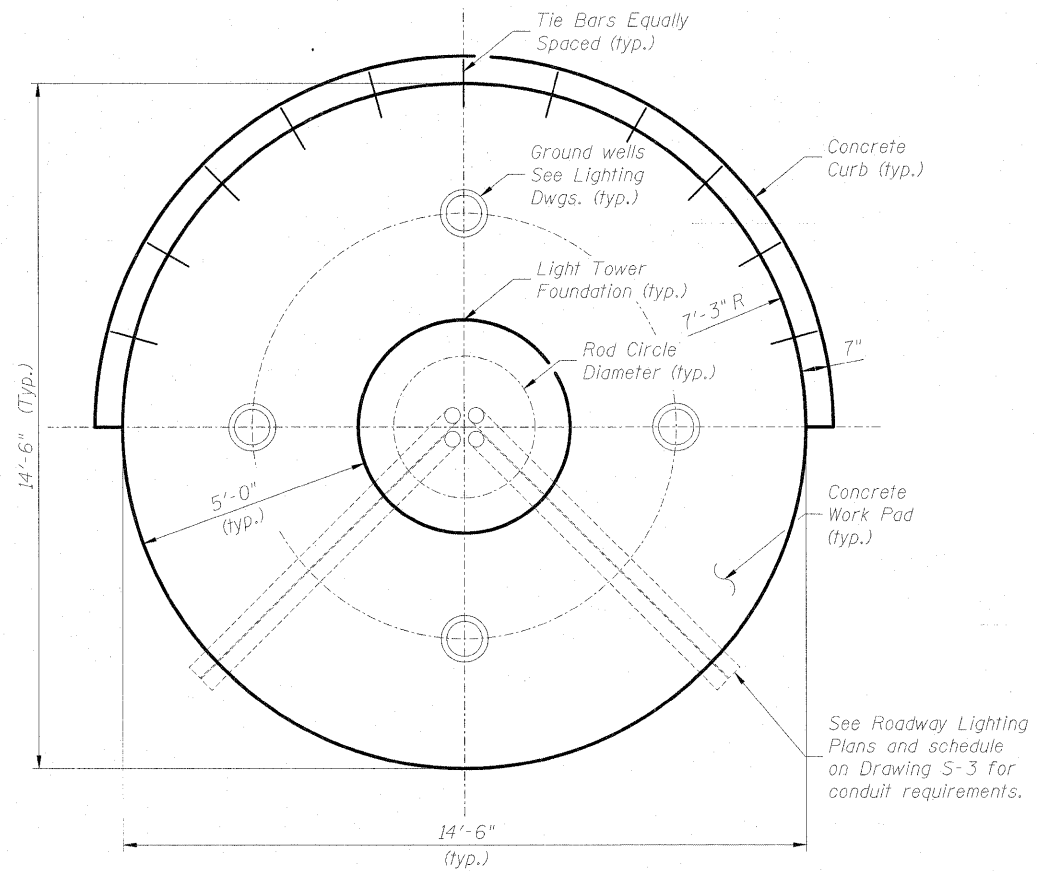


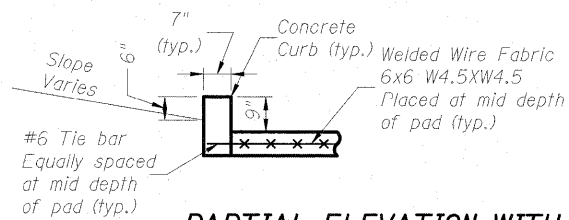
HALF WORK PAD DETAIL

SCALE : NTS



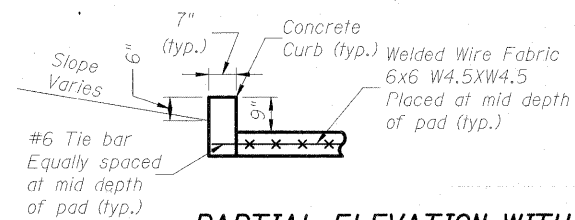
WORK PAD DETAIL

SCALE : NTS



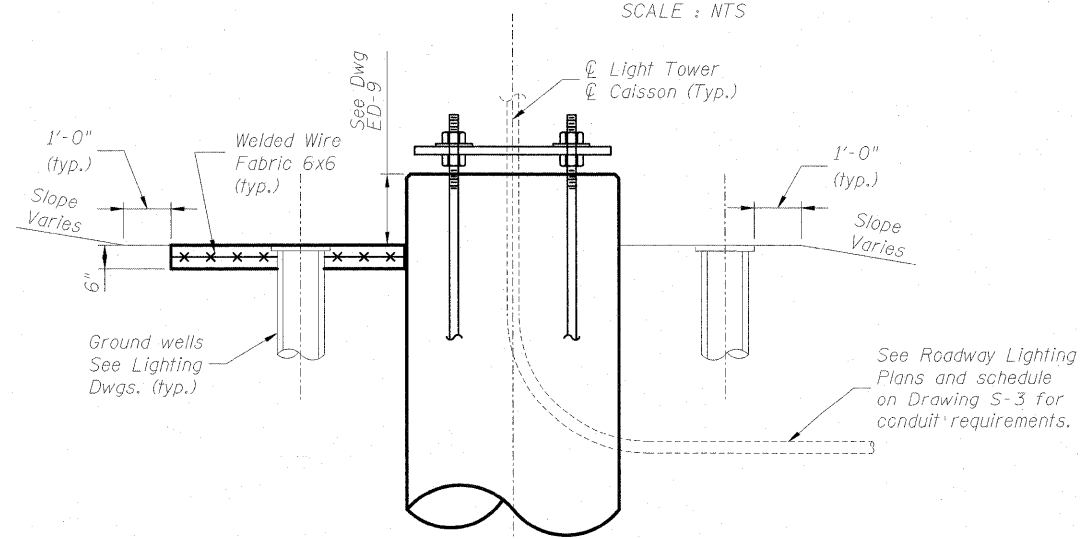
PARTIAL ELEVATION-WITH CURB

SCALE : NTS



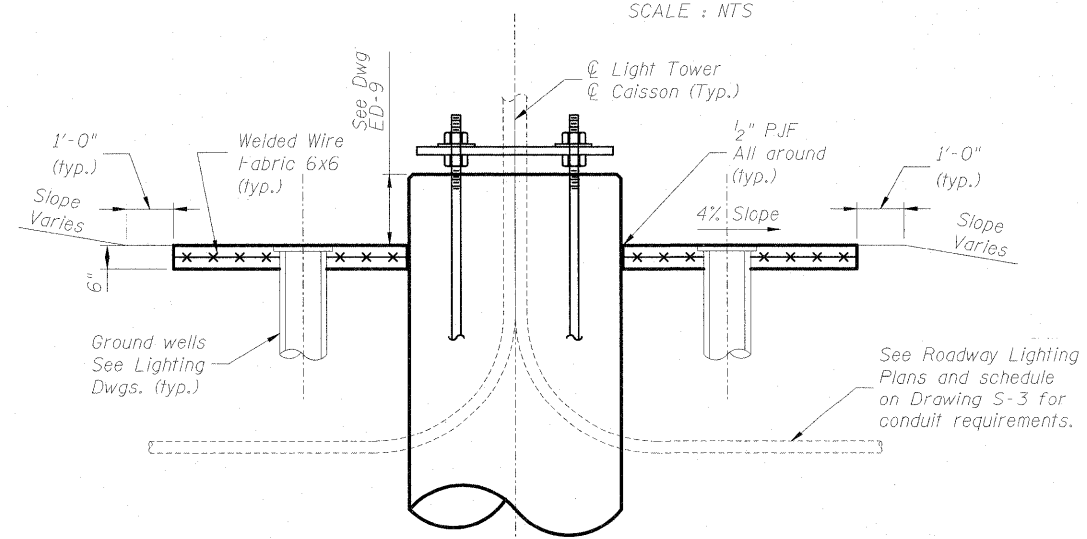
PARTIAL ELEVATION-WITH CURB

SCALE : NTS



ELEVATION-WITHOUT CURB

SCALE : NTS



ELEVATION-WITHOUT CURB

SCALE : NTS

NOTE:
1) Above shown curb details are tentative may not be applicable at various locations.

2) For providing curb at respective pad locations contractor to submit a prior request to the engineer for approval.

FILE NAME =	USER NAME = TK1uegel	DESIGNED - MGB	REVISED -
0990348-60F12-004-HML Foundation.dgn		CHECKED -	REVISED -
	PLOT SCALE = 1:0.0033333	DRAWN - MGB	REVISED -
	PLOT DATE = 3/3/2011	CHECKED -	REVISED -

F.A.I. RTE.	SECTION	COUNTY	TOTAL SHEETS	SHEET NO.
55	99-2HB-2B-1	WILL	756	440
				CONTRACT NO. 60F12
FED. ROAD DIST. NO. 1 ILLINOIS FED. AID PROJECT				