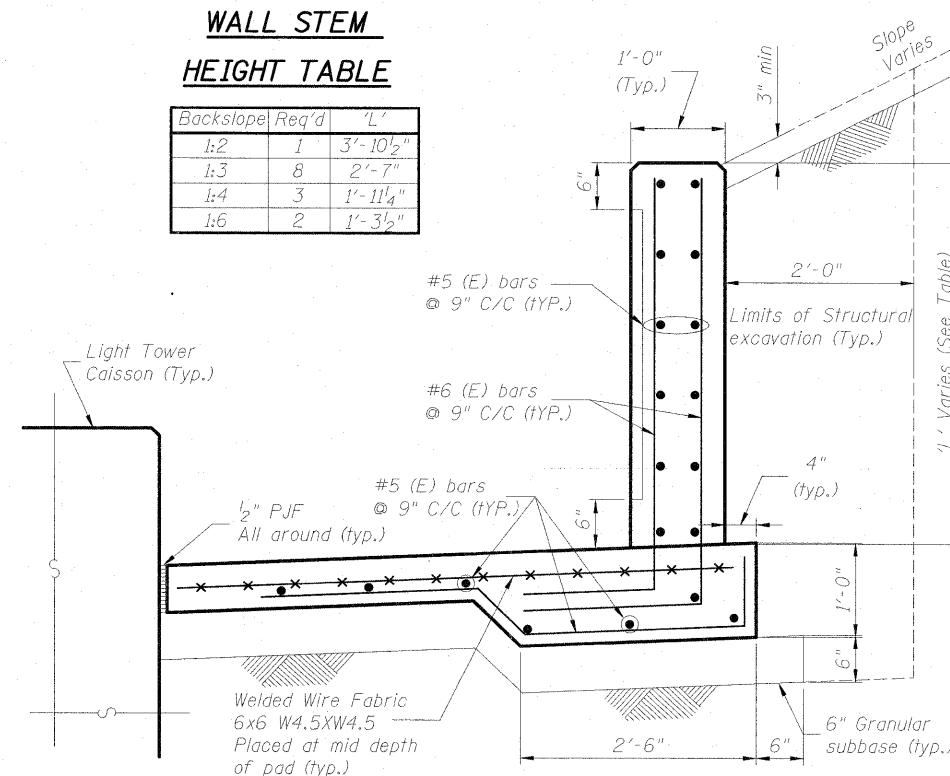


**WORK PAD DETAILS WITH WALL**

SCALE : NTS

**WALL STEM HEIGHT TABLE**

Backslope Req'd	L'	'L'
1:2	1	3'-10 1/2"
1:3	8	2'-7"
1:4	3	1'-11 1/4"
1:6	2	1'-3 1/2"

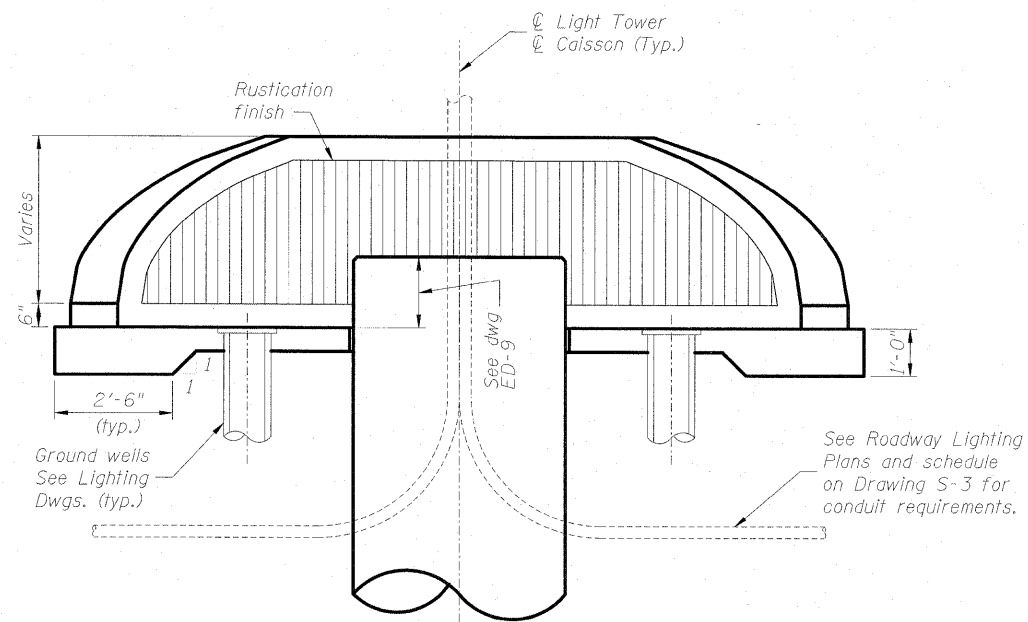


**SECTION THRU PAD-WITH WALL**

SCALE : NTS

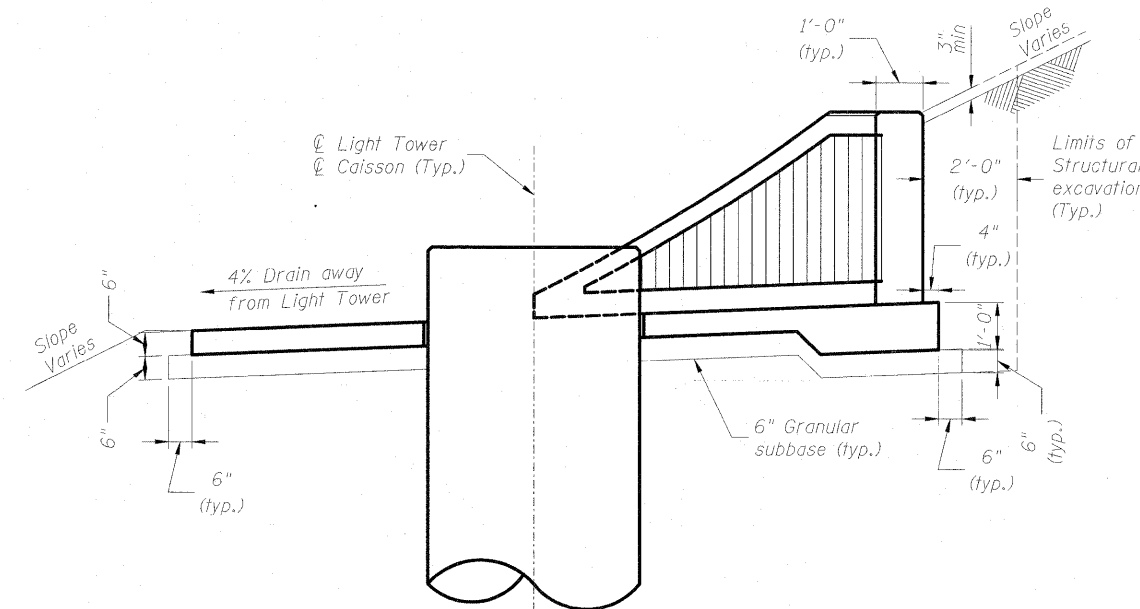
**NOTE:**

1. The light tower and light tower foundation shall be paid for separately, all remaining work including grading, fill, service pad, rustication, concrete and reinforcement shall be paid for at the contract unit price per each for "Light Tower Service Pad, Special"



**ELEVATION-WITH WALL**

SCALE : NTS



**SECTION THRU EMBANKMENT-WITH WALL**

SCALE : NTS