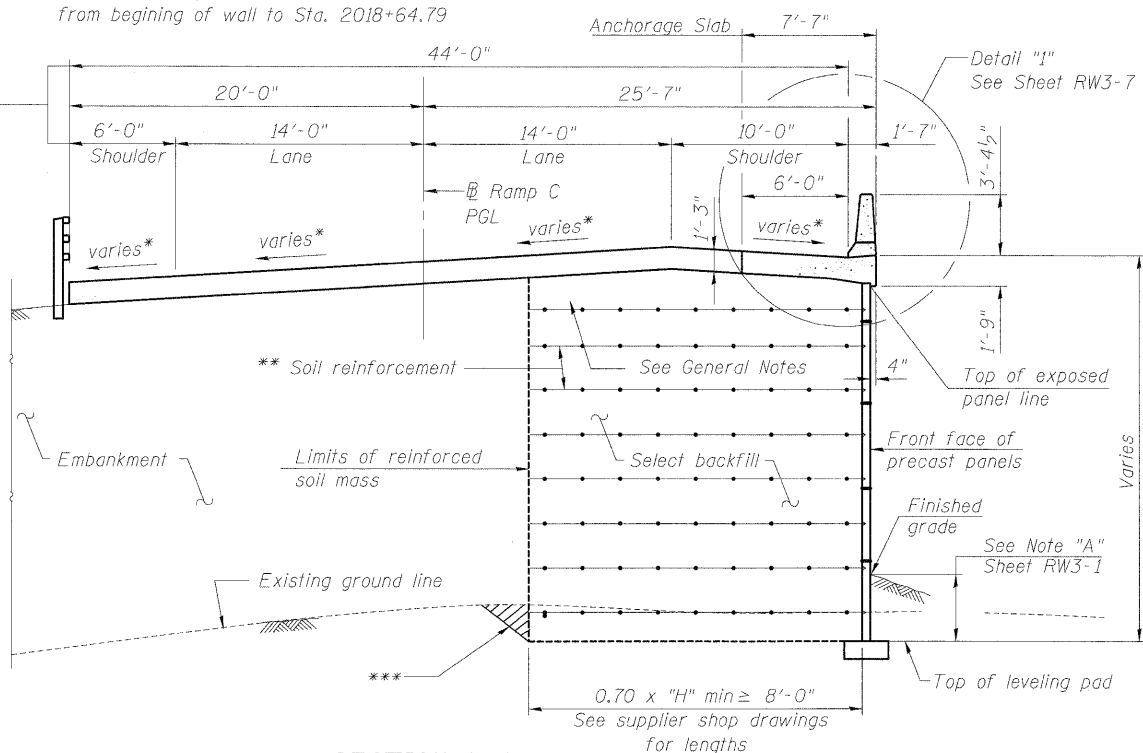


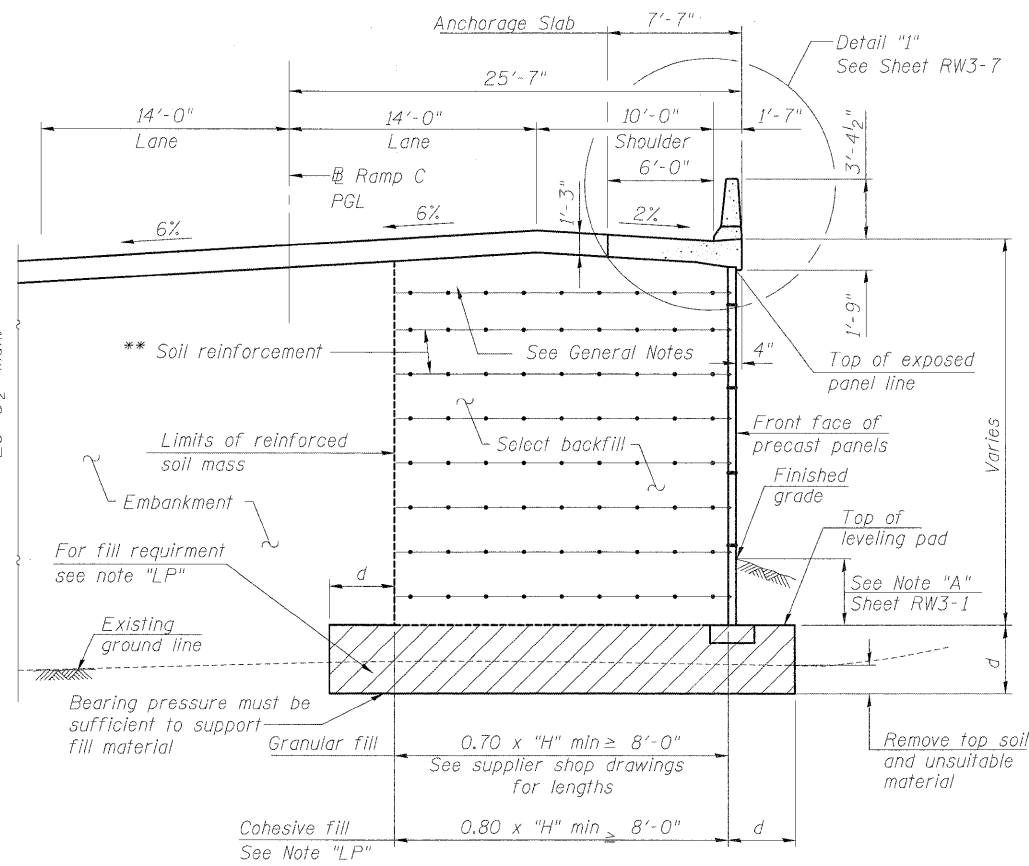
STATE OF ILLINOIS  
DEPARTMENT OF TRANSPORTATION

From Sta. 2018+64.79 to end of wall.  
See transition plan for details  
from beginning of wall to Sta. 2018+64.79



**SECTION A-A**  
**TYPICAL WALL SECTION**

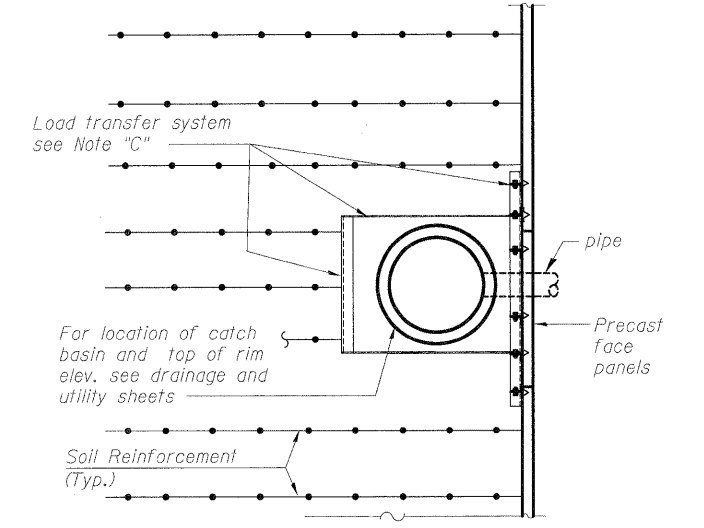
From Sta. 2018+00.00 to Sta. 2025+75.00  
Looking (upstation) South



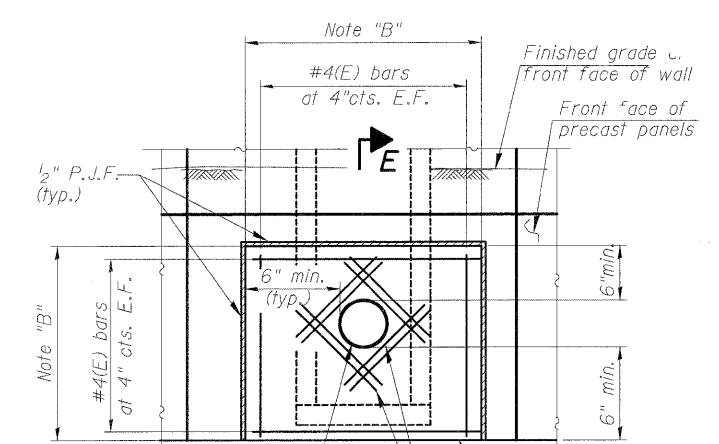
**SECTION B-B**  
**TYPICAL WALL SECTION**

From Sta. Sta. 2025+75.00 to Sta. 2027+25.00  
Looking (upstation) South

**Notes:**  
Place the top most layer of soil reinforcement 3 feet below the gutter line elevation.  
Quantity of the embankment fill is included with Roadway Quantities.  
Removal of top soil & unsuitable material will be paid for under item "Removal and Disposal of unsuitable material for Structures".  
**Note "LP":**  
If the leveling pad is placed on top of cohesive fill material, the embankment fill below the leveling pad shall achieve an unconfined compressive strength of 1.5 tons per square foot, which may require that the degree of compaction is higher than 95% of the maximum dry density according to AASHTO T99. The embankment material should be placed in layers no more than 8 inches in loose thickness. The dynamic cone penetrometer reading must be equal to or less than 1.3 inches per blow, when testing the penetration rate in accordance with the IDOT Geotechnical Manual.



**SECTION C-C**

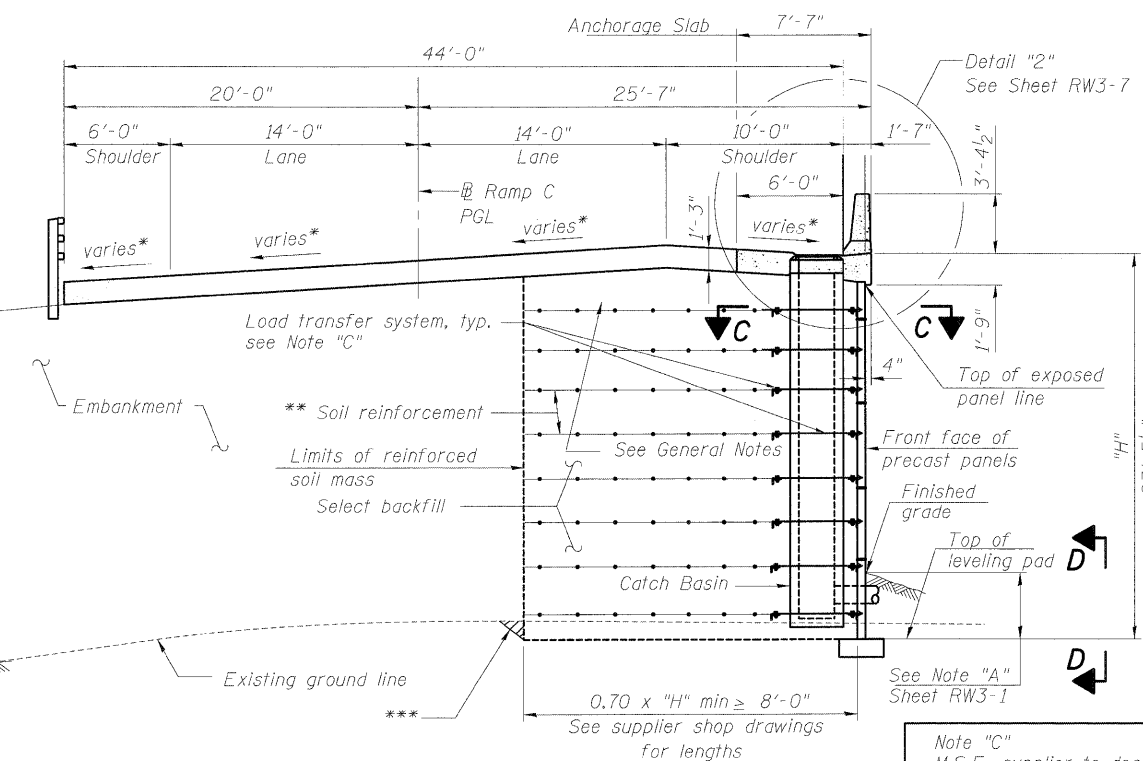


For size of opening in C.I.P. panel see drainage structure plans and pipe information tables

**VIEW D-D**  
**CAST IN PLACE (C.I.P.) PANEL ELEVATION**

**Note "B"**  
Cast-in-place panel (C.I.P.) Dimensions to be determined by Precast panel supplier.  
Cost of C.I.P. panels including Reinforcement in the C.I.P. panel is included in the pay item "Mechanically Stabilized Earth Retaining Wall".

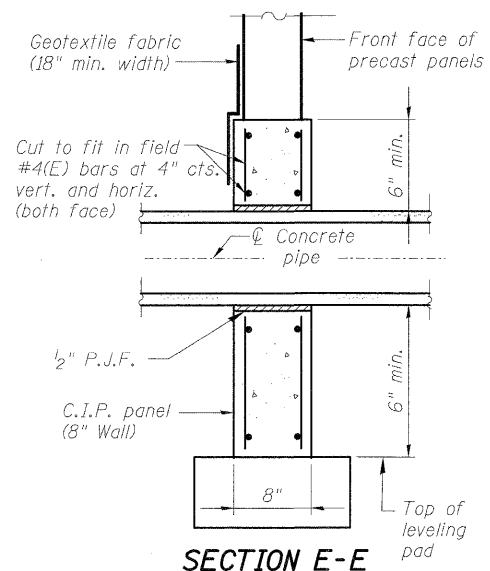
Only Parapet and Anchorage Slab are part of this Contract



**SECTION A1-A1**

\* See transition plan (Sheet RW3-2)  
\*\* The MSE wall suppliers internal stability design shall account for the anchorage slabs bearing pressure of 1.0KSF and horizontal sliding force of 0.5 Kips/ft. of wall.  
\*\*\* Overexcavation beyond limits of structure excavation. This area not measured for payment. Backfill Overexcavation with same material as used for select fill.

**Note "C"**  
M.S.E. supplier to design load transfer system to accommodate catch basins.



**SECTION E-E**  
**TYPICAL SECTION THROUGH C.I.P. PANEL**

DESIGNED	PMH
CHECKED	MJL
DRAWN	RJ
CHECKED	BKB

**SECTIONS AND DETAILS**  
**STRUCTURE NO. 099-W028**

**McDonough Associates Inc.**  
Engineers / Architects  
130 East Randolph Street  
Chicago, Illinois 60601  
(312) 946-8600

SHEET NO. RW3-6 SHEETS RW3-7	F.A.I. RTE.	SECTION	COUNTY	TOTAL SHEETS	SHEET NO.
	55	(99-1&2) R-6	WILL	756	501
FED. ROAD DIST. NO.			ILLINOIS	FED. AID PROJECT	
CONTRACT NO. 60F12					