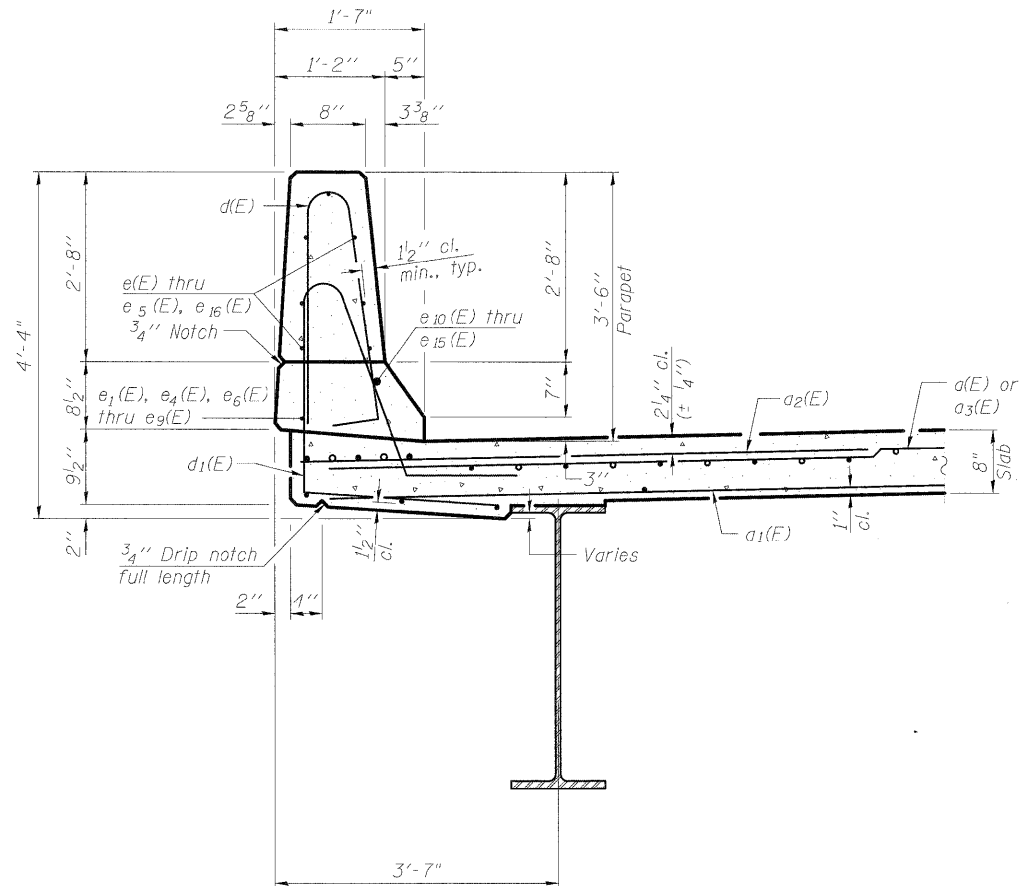
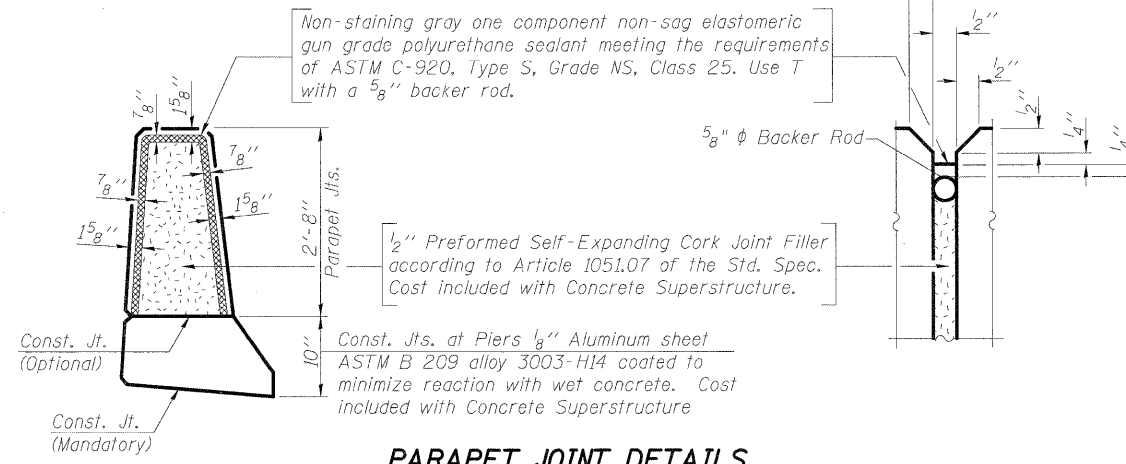


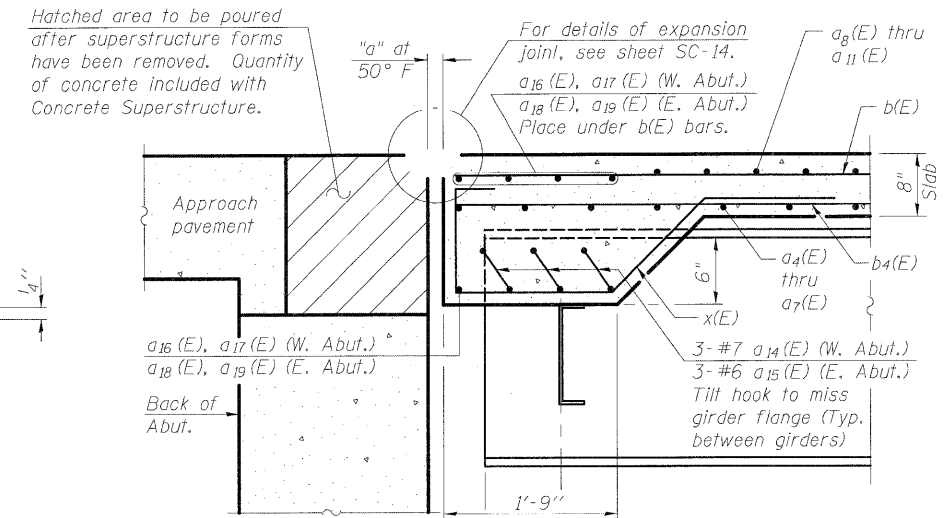
STATE OF ILLINOIS
DEPARTMENT OF TRANSPORTATION



SECTION THRU PARAPET

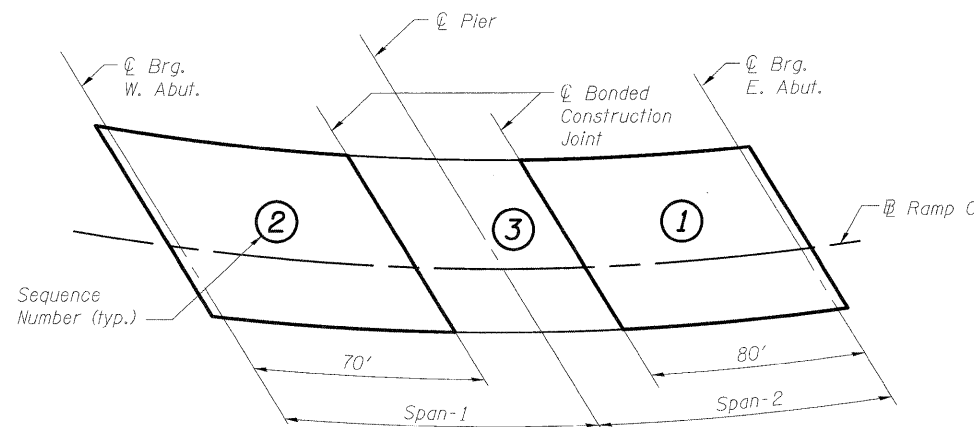


PARAPET JOINT DETAILS



For dimension "a" see Sheet SC-14.

SECTION A-A

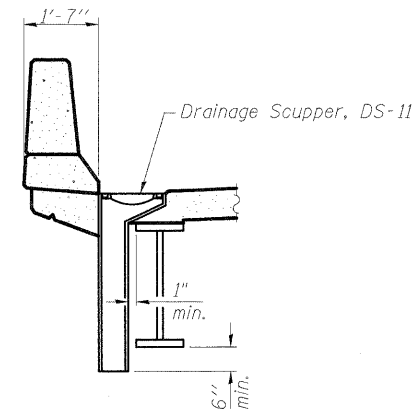


DECK POURING SEQUENCE

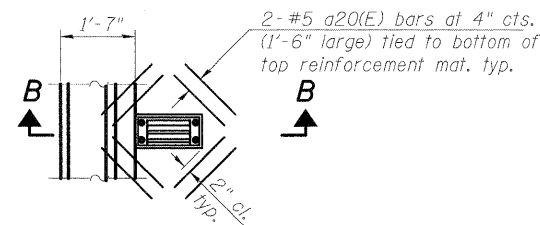
NTS

When the deck pour is stopped for the day at one or more of the transverse bonded construction joints in the deck pouring sequence as shown, the next pour shall not be made until both of the following are met:
1. At least 72 hours shall have elapsed from the end of the previous pour.
2. The concrete strength shall have attained a minimum flexural strength of 650 psi or a minimum compressive strength of 3500 psi.

DESIGNED	MB
CHECKED	PMH
DRAWN	AMV
CHECKED	PMH



SECTION B-B



PLAN

Note:
1. For location of Section A-A see Sheet SC-10.

SUPERSTRUCTURE DETAILS
STRUCTURE NO. 099-0348

McDonough Associates Inc.
Engineers / Architects
130 East Randolph Street
Chicago, Illinois 60601
(312) 946-8600

SHEET NO. SC-12 SHEETS SC-37	F.A.I. RTE.	SECTION	COUNTY	TOTAL SHEETS	SHEET NO.
	55	(99-1&2) R-6	WILL	756	538
FED. ROAD DIST. NO.			ILLINOIS FED. AID PROJECT		
CONTRACT NO. 60F12					