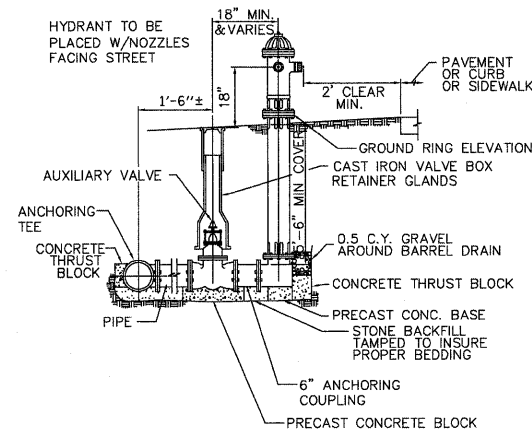
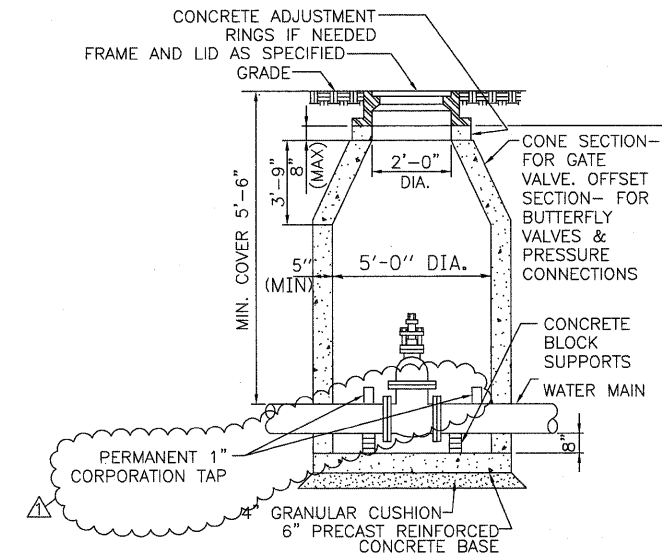


FIRE HYDRANT WITH AUX VALVE & VALVE BOX



- NOTES:**
- CONCRETE BASE & THRUST BLOCK SHALL BE SET SO AS TO NOT BLOCK OR OBSTRUCT THE HYDRANT DRAIN.

VALVE VAULT



GENERAL NOTES

Bottom slabs shall be reinforced with a minimum of 0.31 sq. in./ft. (660 sq. mm/m) in both directions with a maximum spacing of 12 (300).

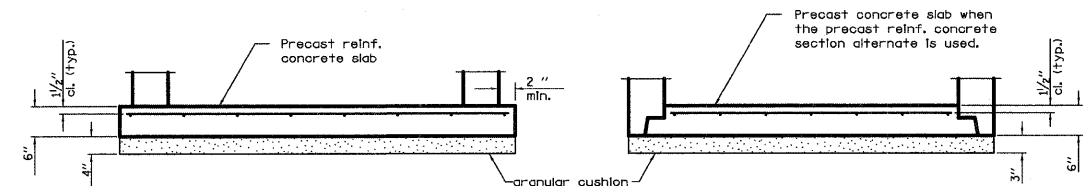
Bottom slabs may be connected to the riser as determined by the fabricator; however, only a single row of reinforcement around the perimeter may be utilized.

The cone dimension for precast risers may vary from that given to plus 6\"/>

All joints, top slab sections, adjustment rings, and casting shall be sealed with a bituminous material to ensure water tightness.

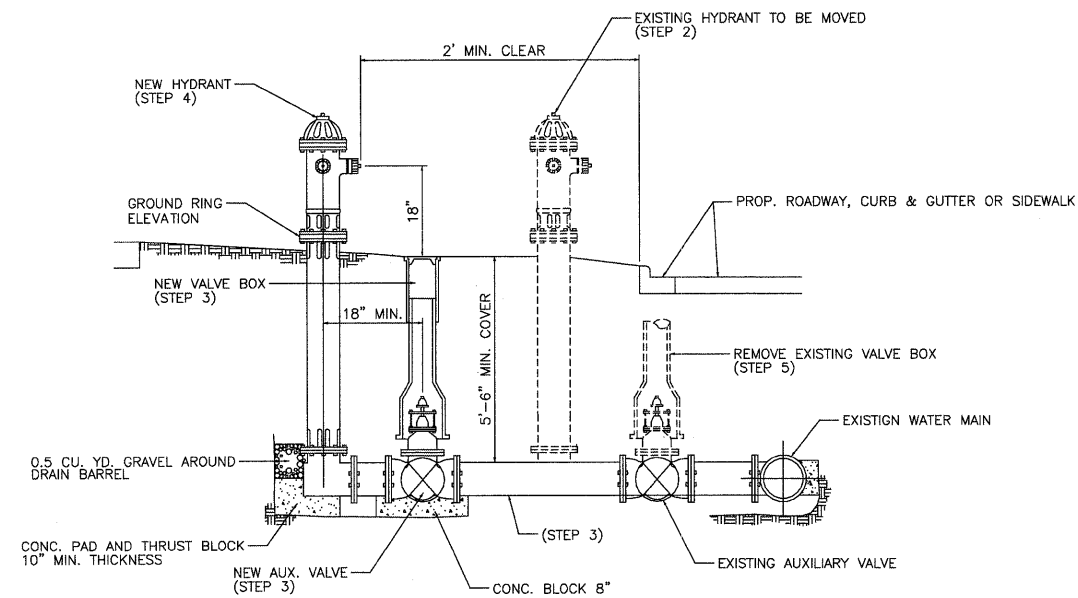
Frame and lid castings to be provided, shall be as specified on the plans or in the special provisions. The words "WATER" and "VILLAGE OF MELROSE PARK" shall be cast in the lid.

SEE WATER MAIN GENERAL NOTES FOR ALL DETAILS NOT SPECIFIED



PRECAST REINFORCED CONCRETE BASE METHODS

FIRE HYDRANTS TO BE REMOVED AND REPLACED



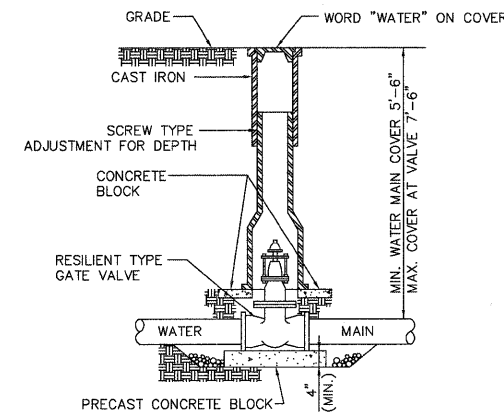
SEQUENCE OF CONSTRUCTION:

- CLOSE EXISTING VALVE
- REMOVE EXISTING HYDRANT *
- INSTALL HYDRANT EXTENSION (WM 16) AND NEW VALVE AND VALVE BOX
- INSTALL NEW HYDRANT (WATER STRUCTURE 8)
- OPEN EXISTING VALVE, REMOVE BOX *
- BACKFILL
- FLUSH AND TEST FOR CHLORIDE RESIDUAL AND PROVIDE TEST

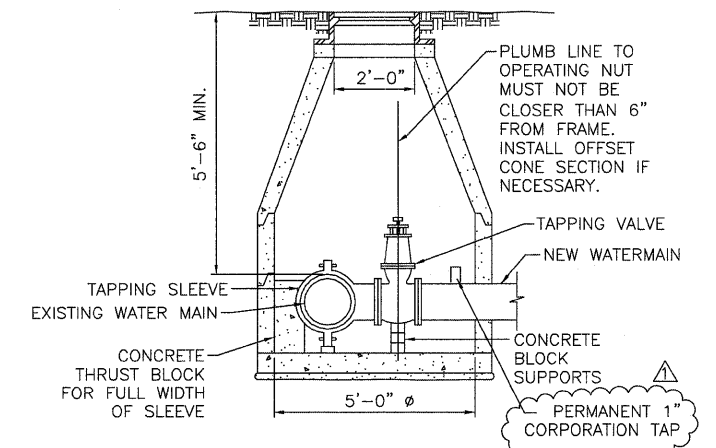
ALL WORK TO BE DONE IN ACCORDANCE WITH ARTICLE 564 OF THE STANDARD SPECIFICATIONS

* ITEMS REMOVED TO BE DELIVERED TO VILLAGE OF MELROSE PARK'S PUBLIC WORKS.

VALVE VAULT BOX



PRESSURE CONNECTION



USER NAME = #USER#	DESIGNED -	REVISED -
PLOT SCALE = #SCALE#	DRAWN -	REVISED -
PLOT DATE = 4/11/2011	CHECKED -	REVISED -
	DATE -	REVISED -

**STATE OF ILLINOIS
DEPARTMENT OF TRANSPORTATION**

**UTILITY DETAILS
LAKE STREET OVER ADDISON CREEK**

SCALE: N.T.S. SHEET NO. 3 OF 5 SHEETS STA. 96+40 TO STA. 106+68

F.A.U. RTE. 3537	SECTION 3264-T	COUNTY COOK	TOTAL SHEETS 110	SHEET NO. 67
				CONTRACT NO. 60H44

ILLINOIS FED. AID PROJECT

REVISED 4/11/11 KMB

FILE NAME = G:\ENCL\06-0799-17 Lake St. Triple Box Culvert\CAD\Civil\Sheet\0160H44-shr-detail.dgn