

SUMMARY OF QUANTITIES

CODE NO.	PAY ITEM DESCRIPTION	UNIT	URBAN TOTAL QUANTITY	ROADWAY	BOX CULVERT	ROADWAY	WATER MAIN	WATER MAIN	SANITARY
				80% FED 20% STATE	80% FED 20% STATE	LIGHTING 80% FED 20% STATE	100% VILLAGE OF MELROSE PARK	90% STATE 10% VILLAGE OF MELROSE PARK	75% STATE 25% VILLAGE OF MELROSE PARK
				CONSTRUCTION TYPE CODE					
				0004	0011	0021	0043	0043	0043
20100110	TREE REMOVAL (6 TO 15 UNITS DIAMETER)	UNIT	101	101					
20100210	TREE REMOVAL (OVER 15 UNITS DIAMETER)	UNIT	310	310					
20200100	EARTH EXCAVATION	CU YD	1,346	1,346					
20201200	REMOVAL AND DISPOSAL OF UNSUITABLE MATERIAL	CU YD	250	250					
20300100	CHANNEL EXCAVATION	CU YD	485	485					
20700220	POROUS GRANULAR EMBANKMENT	CU YD	455		455				
20800150	TRENCH BACKFILL	CU YD	292	184			108		
* 21101615	TOPSOIL FURNISH AND PLACE, 4"	SQ YD	1,364	1,364					
* 25000310	SEEDING, CLASS 4	ACRE	0.25	0.25					
* 25000700	AGRICULTURAL GROUND LIMESTONE	TON	0.50	0.50					
* 25100630	EROSION CONTROL BLANKET	SQ YD	465	465					
* 25200110	SODDING, SALT TOLERANT	SQ YD	1,187	1,187					
* 25200200	SUPPLEMENTAL WATERING	UNIT	45	45					
* 28000250	TEMPORARY EROSION CONTROL SEEDING	POUND	75	75					
28000400	PERIMETER EROSION BARRIER	FOOT	553	553					
28000500	INLET AND PIPE PROTECTION	EACH	4	4					
28000510	INLET FILTERS	EACH	15	15					
28100109	STONE RIPRAP, CLASS A5	SQ YD	231		231				
28200200	FILTER FABRIC	SQ YD	231		231				
40600200	BITUMINOUS MATERIALS (PRIME COAT)	TON	0.60	0.60					
40603080	HOT-MIX ASPHALT BINDER COURSE, IL-19.0, N50	TON	370	370					
40603310	HOT-MIX ASPHALT SURFACE COURSE, MIX "C", N50	TON	94	94					
40600500	INCIDENTAL HOT-MIX ASPHALT SURFACING	TON	59	59					
42000516	PORTLAND CEMENT CONCRETE PAVEMENT 10 3/4" (JOINTED)	SQ YD	7,288	7,288					
42001300	PROTECTIVE COAT	SQ YD	9,599	9,568	31				
42300400	PORTLAND CEMENT CONCRETE DRIVEWAY PAVEMENT, 8 INCH	SQ YD	155	155					
42400200	PORTLAND CEMENT CONCRETE SIDEWALK 5 INCH	SQ FT	12,386.0	12,386.0					
42400410	PORTLAND CEMENT CONCRETE SIDEWALK 8 INCH	SQ FT	1,215.5	1,215.5					
42400800	DETECTABLE WARNINGS	SQ FT	72	72					
44000100	PAVEMENT REMOVAL	SQ YD	7,500	7,500					
44000200	DRIVEWAY PAVEMENT REMOVAL	SQ YD	1,465	1,465					
44000300	CURB REMOVAL	FOOT	85	85					
44000500	COMBINATION CURB AND GUTTER REMOVAL	FOOT	2,043	2,043					
44000600	SIDEWALK REMOVAL	SQ FT	7,822	7,822					
50100100	REMOVAL OF EXISTING STRUCTURES	EACH	1		1				

* SPECIALTY ITEM

FILE NAME: G:\END\06-8798-17 Lake St. Triple Box Culvert\CAD\Civil\Sheet\0160444-wt-300.dwg



USER NAME = #USEP#
 PLOT SCALE = #SCALE#
 PLOT DATE = 2011

DESIGNED - KAC
 DRAWN - TMF
 CHECKED - KAC
 DATE -

REVISED -
 REVISED -
 REVISED -
 REVISED -

STATE OF ILLINOIS
 DEPARTMENT OF TRANSPORTATION

SUMMARY OF QUANTITIES
 LAKE STREET OVER ADDISON CREEK

SCALE: N.T.S. SHEET NO. 1 OF 5 SHEETS

Rev. 4-13-11

SECTION 3264
 ILLINOIS, FED. AID

TOTAL SHEETS 4
 6044A

SUMMARY OF QUANTITIES

CODE NO.	PAY ITEM DESCRIPTION	UNIT	URBAN TOTAL QUANTITY	ROADWAY	BOX CULVERT	ROADWAY LIGHTING	WATER MAIN	WATER MAIN	SANITARY
				80% FED 20% STATE	80% FED. 20% STATE	80% FED. 20% STATE	100% VILLAGE OF MELROSE PARK	90% STATE 10% VILLAGE OF MELROSE PARK	75% STATE 25% VILLAGE OF MELROSE PARK
				0004	0011	0021	0043	0043	0043
50200100	STRUCTURE EXCAVATION	CU YD	939		939				
50200450	REMOVAL AND DISPOSAL OF UNSUITABLE MATERIAL FOR STRUCTURES	CU YD	455		455				
50300225	CONCRETE STRUCTURES	CU YD	62.6		62.6				
50500505	STUD SHEAR CONNECTORS	EACH	648		648				
50800105	REINFORCEMENT BARS	POUND	205,020		205,020				
50800205	REINFORCEMENT BARS, EPOXY COATED	POUND	10,670		10,670				
50800515	BAR SPLICERS	EACH	220		220				
50900105	ALUMINUM RAILING, TYPE L	FOOT	191		191				
51500100	NAME PLATES	EACH	1		1				
54003000	CONCRETE BOX CULVERTS	CU YD	730		730				
550A0050	STORM SEWERS, CLASS A, TYPE 1 12"	FOOT	222	222					
550A0340	STORM SEWERS, CLASS A, TYPE 2 12"	FOOT	113	113					
550A0360	STORM SEWERS, CLASS A, TYPE 2 15"	FOOT	32	32					
550A0380	STORM SEWERS, CLASS A, TYPE 2 18"	FOOT	16	16					
550A0410	STORM SEWERS, CLASS A, TYPE 2 24"	FOOT	16	16					
550A4900	STORM SEWERS, CLASS A, TYPE 2 EQUIVALENT ROUND-SIZE 24"	FOOT	16	16					
550B0030	STORM SEWERS, CLASS B, TYPE 1 8"	FOOT	78	78					
550B0320	STORM SEWERS, CLASS B, TYPE 2 8"	FOOT	14	14					
550B0500	STORM SEWERS, CLASS B, TYPE 2 60"	FOOT	16	16					
55100500	STORM SEWER REMOVAL 12"	FOOT	44	44					
56103000	DUCTILE IRON WATER MAIN 6"	FOOT	20			20			
56103100	DUCTILE IRON WATER MAIN 8"	FOOT	102			94	8		
56103300	DUCTILE IRON WATER MAIN 12"	FOOT	316			291	25		
56400500	FIRE HYDRANTS TO BE REMOVED	EACH	1				1		
56400510	FIRE HYDRANTS TO BE REMOVED AND REPLACED	EACH	1				1		
56400820	FIRE HYDRANT WITH AUXILIARY VALVE AND VALVE BOX	EACH	2				2		
59100100	GEOCOMPOSITE WALL DRAIN	SQ YD	66		66				
60107600	PIPE UNDERDRAINS 4"	FOOT	193	193					
60200105	CATCH BASINS, TYPE A, 4'-DIAMETER, TYPE 1 FRAME, OPEN LID	EACH	4	4					
60201340	CATCH BASINS, TYPE A, 4'-DIAMETER, TYPE 24 FRAME AND GRATE	EACH	11	11					
60206905	CATCH BASINS, TYPE C, TYPE 1 FRAME, OPEN LID	EACH	4	4					
60255500	MANHOLES TO BE ADJUSTED	EACH	12	12					
60265700	VALVE VAULTS TO BE ADJUSTED	EACH	3	3					
60500040	REMOVING MANHOLES	EACH	3						3

* SPECIALTY ITEM

FILE NAME = G:\ENR\06-6798-17 Lake St. Triple Box Culvert\CAD\Civil\Sheet\016\044-wrt-500.dgn



USER NAME = #USER#	DESIGNED - KAC	REVISED -
PLOT SCALE = #SCALE#	DRAWN - TMF	REVISED -
PLOT DATE = 1/27/2011	CHECKED - KAC	REVISED -
	DATE -	REVISED -

**STATE OF ILLINOIS
DEPARTMENT OF TRANSPORTATION**

SUMMARY OF QUANTITIES LAKE STREET OVER ADDISON CREEK	
SCALE: N.T.S.	SHEET NO. 2 OF 5 SHEETS

Rev. 4-13-11

F.A.U. RTE. 3537	SECTION 3264-T	COUNT COOK CONTF
------------------------	-------------------	------------------------

Rev.
TOTAL SHEETS 10 5
0. 60444

ILLINOIS FED. AID PROJ.

SUMMARY OF QUANTITIES

CODE NO.	PAY ITEM DESCRIPTION	UNIT	TOTAL QUANTITY	CONSTRUCTION TYPE CODE						
				0004	0011	0021	0043	0043	0043	
				ROADWAY 80% FED 20% STATE	BOX CULVERT 80% FED. 20% STATE	ROADWAY LIGHTING 80% FED. 20% STATE	WATER MAIN 100% VILLAGE OF MELROSE PARK	WATER MAIN 90% STATE 10% VILLAGE OF MELROSE PARK	SANITARY 75% STATE 25% VILLAGE OF MELROSE PARK	
* 78201000	TERMINAL MARKER - DIRECT APPLIED	EACH	1	1						
78300100	PAVEMENT MARKING REMOVAL	SQ FT	3,181	3,181						
78300200	RAISED REFLECTIVE PAVEMENT MARKER REMOVAL	EACH	180	180						
* 81000600	CONDUIT IN TRENCH, 2" DIA., GALVANIZED STEEL	FOOT	442	275		167				
* 81000700	CONDUIT IN TRENCH, 2 1/2" DIA., GALVANIZED STEEL	FOOT	11.5	11.5						
* 81100800	CONDUIT ATTACHED TO STRUCTURE, 3" DIA., GALVANIZED STEEL	FOOT	110			110				
* 81001000	CONDUIT IN TRENCH, 4" DIA., GALVANIZED STEEL	FOOT	86	86						
* 81300550	JUNCTION BOX, STAINLESS STEEL, ATTACHED TO STRUCTURE, 12"X12"X6"	EACH	2			2				
* 81018900	CONDUIT PUSHED, 4" DIA., GALVANIZED STEEL	FOOT	78	78						
* 81400100	HANDHOLE	EACH	2	2						
* 81301245	ELECTRIC CABLE IN CONDUIT, SIGNAL, NO. 14 5C	FOOT	728	728						
* 81400200	HEAVY-DUTY HANDHOLE	EACH	1	1						
* 81301255	ELECTRIC CABLE IN CONDUIT, SIGNAL, NO. 14 7C	FOOT	441	441						
* 81603050	UNIT DUCT, 600V, 3-1C NO. 6, 1" C NO. 8 GROUND, (XLP-TYPE USE), 1" DIA. POLYETHYLENE	FOOT	1,092			1,092				
* 81800330	AERIAL CABLE, 3-1C NO. 6 WITH MESSENGER WIRE	FOOT	320			320				
* 81900200	TRENCH AND BACKFILL FOR ELECTRICAL WORK	FOOT	1358	306		1,032				
* 83600200	LIGHT POLE FOUNDATION, 24" DIAMETER	FOOT	90			90				
* 84200804	REMOVAL OF POLE FOUNDATION	EACH	10			10				
84400105	RELOCATE EXISTING LIGHTING UNIT	EACH	10			10				
* 85000200	MAINTENANCE OF EXISTING TRAFFIC SIGNAL INSTALLATION	EACH	1	1						
* 87301305	ELECTRIC CABLE IN CONDUIT, LEAD-IN, NO. 14 1 PAR	FOOT	703	703						
* 87900200	DRILL EXISTING HANDHOLE	EACH	3	3						
* 88600100	DETECTOR LOOP, TYPE I	FOOT	80	80						
* 88600700	PREFORMED DETECTOR LOOP	FOOT	164	164						
* 89502300	REMOVE ELECTRIC CABLE FROM CONDUIT	FOOT	427	427						
89502380	REMOVE EXISTING HANDHOLE	EACH	3	3						
Z0001050	AGGREGATE SUBGRADE 12"	SQ YD	8,220	8,220						
* Z0007118	UNTREATED TIMBER LAGGING	SQ FT	1,162			1,162				
* Z0007510	ENGINEERED BARRIER	SQ YD	889	889						
Z0013798	CONSTRUCTION LAYOUT	L SUM	1	1						
Z0016702	DETOUR SIGNING	L SUM	1	1						
* Z0026404	FURNISHING SOLDIER PILES (W SECTION)	FOOT	953			953				
Z0030250	IMPACT ATTENUATORS, TEMPORARY (NON-REDIRECTIVE), TEST LEVEL 3	EACH	3	3						
Z0030260	IMPACT ATTENUATORS, TEMPORARY (FULLY REDIRECTIVE, NARROW), TEST LEVEL 3	EACH	4	4						
Z0030330	IMPACT ATTENUATORS, RELOCATE (FULLY REDIRECTIVE), TEST LEVEL 3	EACH	2	2						
Z0030850	TEMPORARY INFORMATION SIGNING	SQ FT	286	286						
* Z0033028	MAINTENANCE OF LIGHTING SYSTEM	CAL MO	6			6				
* Z0033046	RE-OPTIMIZE TRAFFIC SIGNAL SYSTEM LEVEL 2	EACH	1	1						
Z0033066	PREFORMED DETECTOR LOOP	FOOT	198	198						
Z0042002	POROUS GRANULAR EMBANKMENT, SUBGRADE	CU YD	250	250						
Z0044800	PRESSURE CONNECTION 8"X8"	EACH	1					1		
Z0045100	PRESSURE CONNECTION 12" X 12"	EACH	1							
Z0046304	PIPE UNDERDRAINS FOR STRUCTURES 4"	FOOT	150			150				
Z0057000	SANITARY SEWER 10"	FOOT	24							24
Z0062456	TEMPORARY PAVEMENT	SQ YD	123	123						

* SPECIALTY ITEM

FILE NAME = G:\ENR\06-6798-17 Lake St. Triple Box Culvert\CAD\Civil\Sheet\066H44-INT-500.dgn



USER NAME = #USER#	DESIGNED - KAC	REVISED -
PLOT SCALE = #SCALE#	DRAWN - TMF	REVISED -
PLOT DATE = 1/27/2011	CHECKED - KAC	REVISED -
	DATE -	REVISED -

**STATE OF ILLINOIS
DEPARTMENT OF TRANSPORTATION**

**SUMMARY OF QUANTITIES
LAKE STREET OVER ADDISON CREEK**

SCALE: N.T.S. SHEET NO. 4 OF 5 SHEETS

Rev. 4-13-11

A.U. E.L. 3537	SECTION 3264-T	COUNTY COOK
CONTR.		NO. 60H44

Rev.
TOTAL SHEETS
10 7
NO. 60H44

ILLINOIS FED. AID PROJECT

SUMMARY OF QUANTITIES

CODE NO.	PAY ITEM DESCRIPTION	UNIT	URBAN TOTAL QUANTITY	ROADWAY	BOX CULVERT	ROADWAY	WATER MAIN	WATER MAIN	SANITARY
				80% FED 20% STATE	80% FED. 20% STATE	LIGHTING 80% FED. 20% STATE	100% VILLAGE OF MELROSE PARK	90% STATE 10% VILLAGE OF MELROSE PARK	75% STATE 25% VILLAGE OF MELROSE PARK
				0004	0011	0021	0043	0043	0043
Z0067700	STEEL CASING 20"	FOOT	150					50	100
Z0067900	STEEL CASINGS 24"	FOOT	80						
Z0073002	TEMPORARY SOIL RETENTION SYSTEM	SQFT	2,719		2,719				
Z0073500	TEMPORARY SUPPORT SYSTEM	L SUM	1		1				
Z0076600	FRAINEEES	HOOR							
* A2005014	TREE, GYMNOCLADUS DIOICUS (KENTUCKY COFFEETREE), 1-3/4" CALIPER, BALLED AND BURLAPPED	EACH	3	3					
* A2006514	TREE, QUERCUS BICOLOR (SWAMP WHITE OAK), 1-3/4" CALIPER, BALLED AND BURLAPPED	EACH	3	3					
* C2C05724	SHRUB, RHUS AROMATICA (FRAGRANT SUMAC), 2' WIDTH, CONTAINER	EACH	20	20					
X0322080	BUS SHELTER REMOVE AND RELOCATE	EACH	1	1					
* X0324455	DRILLING AND SETTING SOLDIER PILES (IN SOIL)	CU FT	897		897				
* X0324456	DRILLING AND SETTING SOLDIER PILES (IN ROCK)	CU FT	2,439		2,439				
X0326299	TEMPORARY SIGN PANEL ASSEMBLY	SQ FT	7	7					
X0326712	ABANDON AND FILL EXISTING SANITARY SEWER	EACH	1						1
X5610651	ABANDON EXISTING WATER MAIN, FLL WITH CLSM	FOOT	264				245	19	
X5610004	DUCTILE IRON WATER MAIN FITTINGS	POUND	4,465				2,355	2,110	
X0350810	BOLLARD REMOVAL	EACH	6	6					
X0487700	SANITARY SEWER REMOVAL 10"	FOOT	103						103
* X0502600	TEMPORARY LIGHTING	L SUM	1			1			
X2130010	EXPLORATION TRENCH, SPECIAL	FOOT	45	15				30	
X4022000	TEMPORARY ACCESS (COMMERCIAL ENTRANCE)	EACH	6	6					
X4023000	TEMPORARY ACCESS (ROAD)	EACH	1	1					
X5610708	WATER MAIN REMOVAL, 8"	FOOT	128					128	
X6026050	SANITARY MANHOLES TO BE ADJUSTED	EACH	4	4					
X7030030	WET REFLECTIVE TEMPORARY TAPE TYPE III, 4 INCH	FOOT	10,573	10,573					
X7030055	WET REFLECTIVE TEMPORARY TAPE TYPE III, 24 INCH	FOOT	54	54					
* X0440110	RELOCATE EXISTING LIGHTING UNIT, SPECIAL	EACH	10			10			
X0326712	ABANDON AND FILL EXISTING SANITARY SEWER	EACH	10						10
X0327221	DUCTILE IRON WATER MAIN, 12" IN STEEL CASING	FOOT	130				80	50	
XX003032	GATE VALVES 12"	EACH	1					1	
* K1001900	IRRIGATION SYSTEM SPECIAL	L SUM	1	1					
X0327222	SANITARY MANHOLES, TYPE A, 4'-DIAMETER	EACH	2						2
X026055	SANITARY MANHOLE, SPECIAL	EACH	2						2
X0327223	SANITARY SEWER, 8" CONCRETE ENCASEMENT	FOOT	66						66
X0327224	SANITARY SEWER, 10" CONCRETE ENCASEMENT	FOOT	66						66
X0327225	SANITARY SEWER, 8" IN STEEL CASING	FOOT	52						52
X0327226	SANITARY SEWER, 10" IN STEEL CASING	FOOT	52						52
X0327227	GATE VALVE, 8" WITH VALVE BOX	EACH	2				1	1	
X0327228	VALVE VAULTS, TYPE A, TYPE 1 FRAME, CLOSED LID, SPECIAL	EACH	3				2	1	
X0327229	SLIDE GATE	EACH	1						1

* SPECIALTY ITEM

FILE NAME = G:\ENR\06-6790-17 Lake St Trf Box Culvert\CAD\Civil\Sheet\0168444-ent-500.dgn



USER NAME = #USER#
PLOT SCALE = #SCALE#
PLOT DATE = 1/27/2011

DESIGNED - KAC
DRAWN - TMF
CHECKED - KAC
DATE -

REVISED -
REVISED -
REVISED -
REVISED -

STATE OF ILLINOIS
DEPARTMENT OF TRANSPORTATION

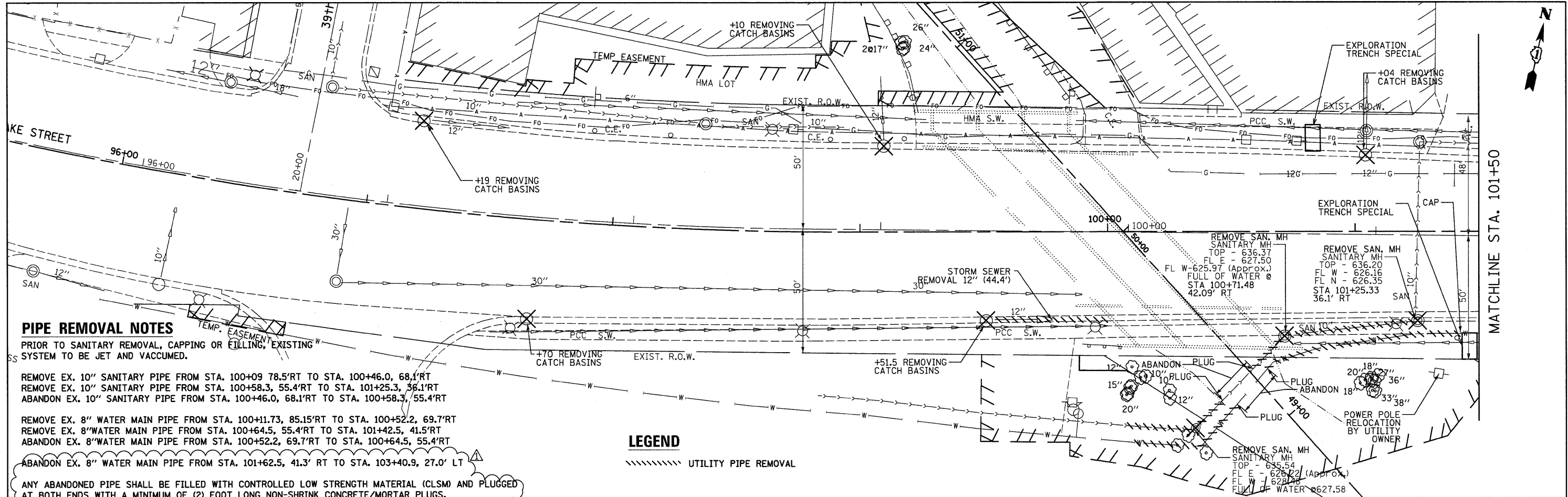
SUMMARY OF QUANTITIES
LAKE STREET OVER POISON CREEK
SCALE: N.T.S. SHEET NO. 5 OF 5 SHEETS

Rev. 4-13-11

SECTON 3264-T
COUNTY COOK
CONTRACT NO. 60441

Rev.
TOTAL SHEETS 110
SHEET NO. 8
NO. 60441

ILLINOIS FED. AID PROJECT



PIPE REMOVAL NOTES

PRIOR TO SANITARY REMOVAL, CAPPING OR FILLING, EXISTING SYSTEM TO BE JET AND VACUUMED.

REMOVE EX. 10" SANITARY PIPE FROM STA. 100+09 78.5' RT TO STA. 100+46.0, 68.1' RT
 REMOVE EX. 10" SANITARY PIPE FROM STA. 100+58.3, 55.4' RT TO STA. 101+25.3, 36.1' RT
 ABANDON EX. 10" SANITARY PIPE FROM STA. 100+46.0, 68.1' RT TO STA. 100+58.3, 55.4' RT

REMOVE EX. 8" WATER MAIN PIPE FROM STA. 100+11.73, 85.15' RT TO STA. 100+52.2, 69.7' RT
 REMOVE EX. 8" WATER MAIN PIPE FROM STA. 100+64.5, 55.4' RT TO STA. 101+42.5, 41.5' RT
 ABANDON EX. 8" WATER MAIN PIPE FROM STA. 100+52.2, 69.7' RT TO STA. 100+64.5, 55.4' RT

ABANDON EX. 8" WATER MAIN PIPE FROM STA. 101+62.5, 41.3' RT TO STA. 103+40.9, 27.0' LT

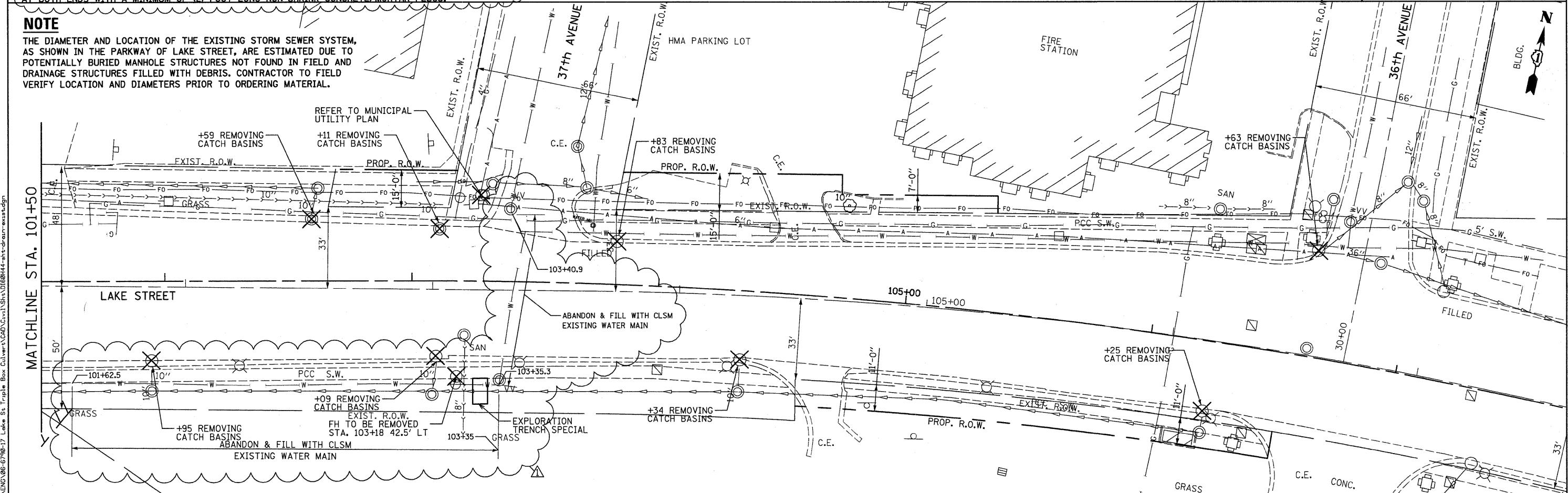
ANY ABANDONED PIPE SHALL BE FILLED WITH CONTROLLED LOW STRENGTH MATERIAL (CLSM) AND PLUGGED AT BOTH ENDS WITH A MINIMUM OF (2) FOOT LONG NON-SHRINK CONCRETE/MORTAR PLUGS.

LEGEND

UTILITY PIPE REMOVAL

NOTE

THE DIAMETER AND LOCATION OF THE EXISTING STORM SEWER SYSTEM, AS SHOWN IN THE PARKWAY OF LAKE STREET, ARE ESTIMATED DUE TO POTENTIALLY BURIED MANHOLE STRUCTURES NOT FOUND IN FIELD AND DRAINAGE STRUCTURES FILLED WITH DEBRIS. CONTRACTOR TO FIELD VERIFY LOCATION AND DIAMETERS PRIOR TO ORDERING MATERIAL.



FILE NAME = G:\ENR\06-6798-17 Lake St. Triple Box Culvert\CAD\Civil\Sheet\1584\1584.dwg



USER NAME = #USER#	DESIGNED - KAC	REVISED -
PLOT SCALE = #SCALE#	DRAWN - TMF	REVISED -
PLOT DATE = 4/11/2011	CHECKED - KAC	REVISED -
	DATE - 1/12/2011	REVISED -

**STATE OF ILLINOIS
DEPARTMENT OF TRANSPORTATION**

UTILITY REMOVAL PLAN LAKE STREET OVER ADDISON CREEK	
SCALE: 1" = 20'	SHEET NO. 1 OF 1 SHEETS
STA. 96+40	TO STA. 106+68

F.A.U. RTE. 3537	SECTION 3264-T	COUNTY COOK	TOTAL SHEETS 110	SHEET NO. 24
CONTRACT NO. 60H44				
[ILLINOIS] FED. AID PROJECT				

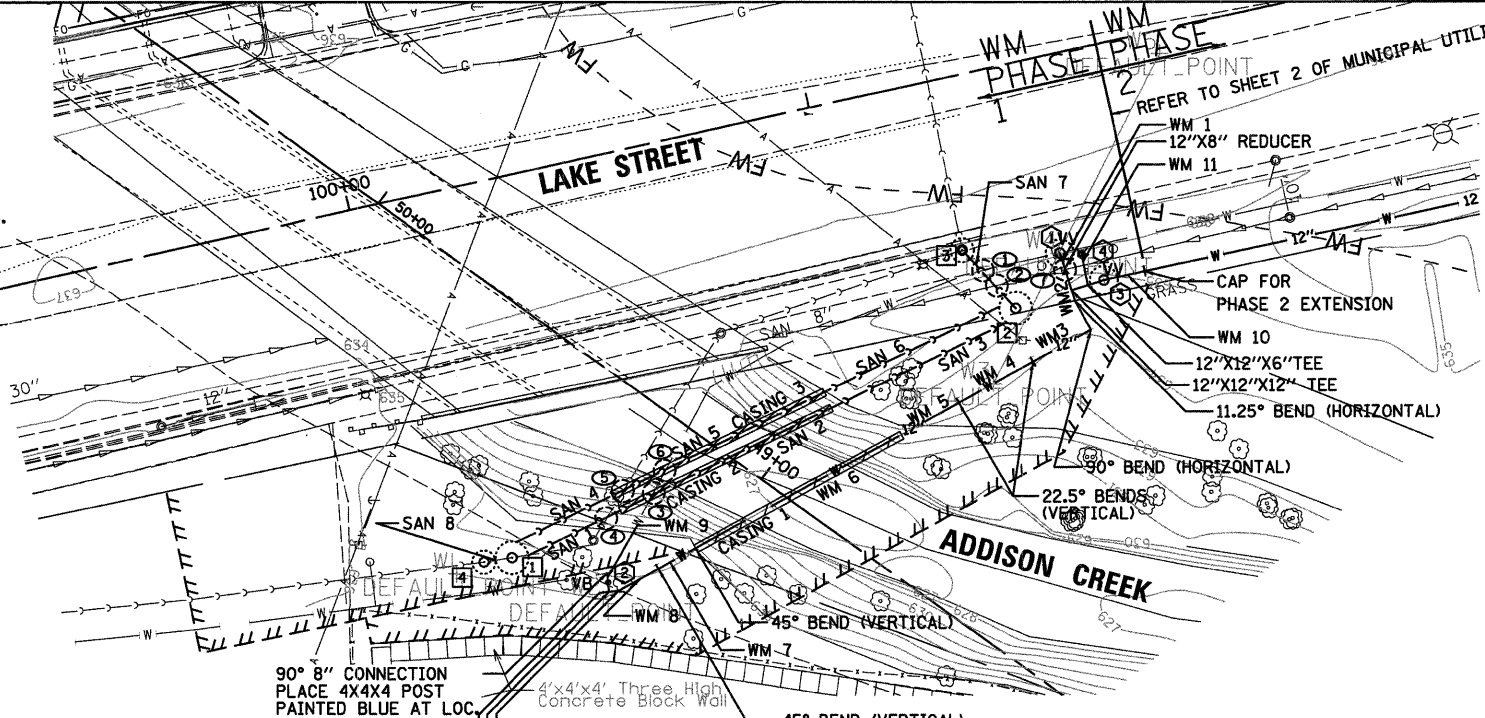
INSTALLATION NOTES

PRIOR TO BOX CULVERT CONSTRUCTION, PROPOSED WATER MAIN (PHASE 1) AND PROPOSED SANITARY SHALL BE INSTALLED AND OPERATIONAL.

THE PROPOSED WATER MAIN (PHASE 1) SHALL BE INSTALLED AND OPERATIONAL PRIOR TO THE INSTALLATION OF THE PROPOSED SANITARY SEWER.

SANITARY FLOWS SHALL BE MAINTAINED AT ALL TIMES.

- A) PRESSURE CONNECTION @ WATER STRUCTURE ①
- B) INSTALL PHASE 1 WATER MAIN & THE TEMPORARY FLUSHING HYDRANT OR BLOW-OFF VALVE OR OTHER VILLAGE APPROVED FLUSHING MECHANISM.
- C) PERFORM TESTING ON INSTALLED WATER MAIN
- D) FLUSH AND CHLORINATE INSTALLED WATER MAIN
- E) VILLAGE TO ISOLATE EXISTING 8" MAIN
- F) CAP EXISTING LINE TO WEST OF ①
- G) CONNECT TO EXISTING WATER MAIN WITH 90° ELBOW
- H) VILLAGE TO TURN WATER SYSTEM ON
- I) REMOVE / ABANDON & FILL SPECIFIED WATER MAIN WITHIN PHASE 1 AREA
- J) INSTALL PROPOSED SANITARY SYSTEM



UTILITY CROSSINGS

- T/ = TOP OF UTILITY
B/ = BOTTOM OF UTILITY
- ① B/EX. WM = 629.7±
T/10" SAN. = 627.36
VERTICAL SEPARATION = 2.34'±
REMOVE EX. WM
 - ② B/EX. STORM = 631.8±
T/10" SAN. = 627.38
VERTICAL SEPARATION = 4.42'±
 - ③ B/EX. WM = UNKNOWN
T/20" CASING = 622.30
B/20" CASING = 620.57
REMOVE EX. WM
 - ④ B/EX. SAN = 626.2±
T/10" SAN. = 621.77
VERTICAL SEPARATION = 4.43'±
REMOVE EX. SAN.
 - ⑤ B/EX. SAN. = 626.15±
T/STEEL CASING = 622.39
T/10" SAN. = 621.97
VERTICAL SEPARATION = 3.76±
REMOVE EX. SAN.
 - ⑥ B/EX. WM. = UNKNOWN
T/STEEL CASING = 622.32
T/10" SAN. = 621.91
REMOVE EX. WM
 - ⑦ B/EX STORM = 632.00±
T/8" WM = 630.50
VERTICAL SEPARATION = 1.5'±

SANITARY PIPE

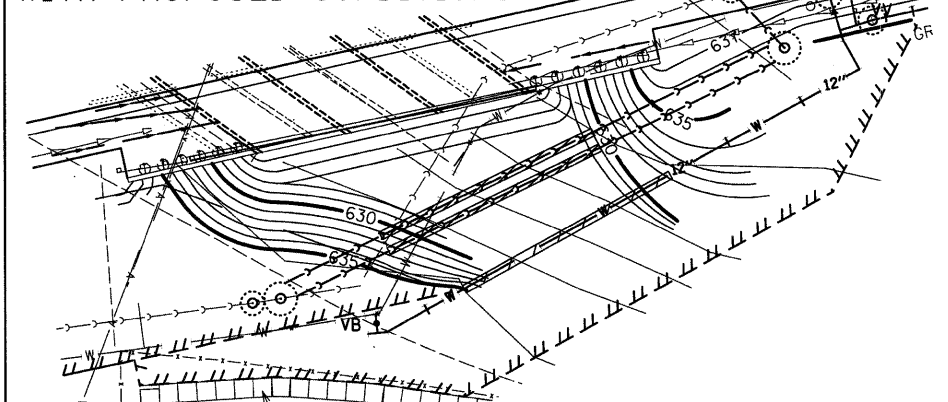
- SAN 1 - 22 LF SANITARY SEWER 8" CONCRETE ENCASEMENT @31.3%±
- SAN 2 - 52 LF SANITARY SEWER 8" IN STEEL CASING @0.64%
- SAN 3 - 44 LF SANITARY SEWER 8" CONCRETE ENCASEMENT @13.3%±
- SAN 4 - 22 LF SANITARY SEWER 10" CONCRETE ENCASEMENT @32.8%±
- SAN 5 - 52 LF SANITARY SEWER 10" IN STEEL CASING @0.64%
- SAN 6 - 44 LF SANITARY SEWER 10" CONCRETE ENCASEMENT @13.3%±
- SAN 7 - 17 LF SANITARY SEWER 10" @0.64%
- SAN 8 - 7 LF SANITARY SEWER 10" @0.7%± M.E. SLOPE & INVERTS

SANITARY STRUCTURES

- ① SANITARY MANHOLE, SPECIAL STA. 100+17.84, 79.06' RT RIM=635.50
W INV=628.6± M.E. (V.I.F.)
E INV=628.01 (8")
E INV=628.35 (10")
- ② SANITARY MANHOLE, SPECIAL STA. 101+33.83, 50.50' RT RIM=635.52
NW INV=626.55
W INV= 626.65 (10")
- ③ SANITARY MANHOLES, TYPE A, 4' DIAMETER STA. 101+25.33, 36.1' RT RIM=637.55
N INV=626.35± M.E.
S INV=626.45 (PERMANENT)
W INV=626.16± M.E. (TEMPORARY)
- ④ SANITARY MANHOLES, TYPE A, 4' DIAMETER WITH SLIDING GATE STA. 100+12, 78.7' RT RIM=635.6
INV=628.65± M.E.

*SLOPE BASED ON ELEVATION DIFFERENCE AT 22.5°

PROPOSED UTILITY RELOCATIONS PHASE 1 AREA WITH PROPOSED CONDITIONS



STEEL CASING PIPE

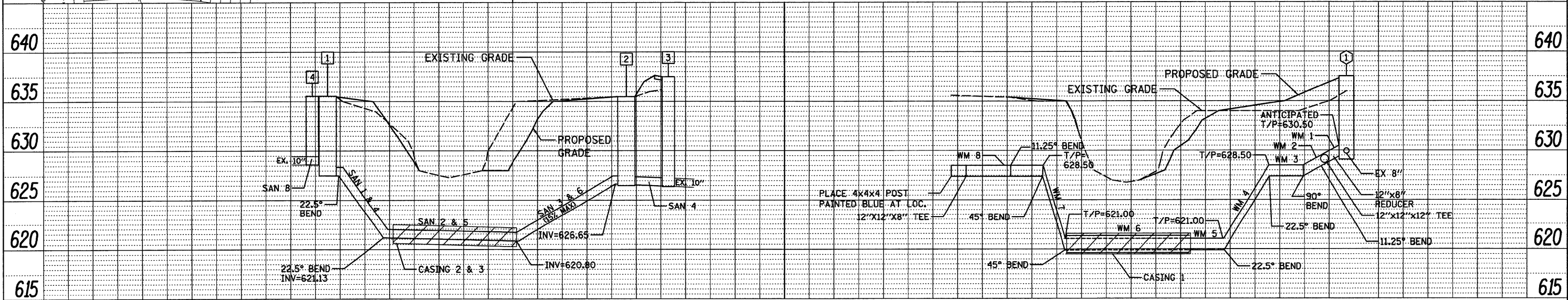
- CASING 1 - 50 LF STEEL CASING, 20" @0%
- CASING 2 - 50 LF STEEL CASING, 20" @0.64%
- CASING 3 - 50 LF STEEL CASING, 20" @0.64%

PHASE 1 - WATER STRUCTURES

- ① PRESSURE CONNECTION, 8"x8", VALVE VAULT, TYPE A, TYPE 1 FRAME, CLOSED LID, SPECIAL STA. 101+45.49, 41.3' RT RIM=637.52
- ② GATE VALVE, 8" W/ VALVE BOX STA. 100+36.60, 88.65' RT RIM=635.15
- ③ VALVE VAULT, TYPE A, TYPE 1 FRAME, CLOSED LID, SPECIAL W/ GATE VALVE, 12" STA. 101+53.38, 48.8' RT RIM=635.10
- ④ FIRE HYD W/ AUX V & VB STA. 101+49.93, 42.5' RT GROUND RING ELEV = 637.25

PHASE 1 - WATER MAIN

- WM 1 - 4 LF DUCTILE IRON WATER MAIN, 8"
- WM 2 - 14 LF DUCTILE IRON WATER MAIN, 12"
- WM 3 - 14 LF DUCTILE IRON WATER MAIN, 12"
- WM 4 - 20 LF DUCTILE IRON WATER MAIN, 12"
- WM 5 - 14 LF DUCTILE IRON WATER MAIN, 12"
- WM 6 - 50 LF DUCTILE IRON WATER MAIN, 12" IN STEEL CASING
- WM 7 - 9 LF DUCTILE IRON WATER MAIN, 12"
- WM 8 - 14 LF DUCTILE IRON WATER MAIN, 12"
- WM 9 - 4 LF DUCTILE IRON WATER MAIN, 8"
- WM 10 - 16 LF DUCTILE IRON WATER MAIN, 12"
- WM 11 - 7 LF DUCTILE IRON WATER MAIN, 6"



SANITARY PROFILE

SCALE H: 1"=20'
V: 1"=5'

WATER MAIN PROFILE

SCALE H: 1"=20'
V: 1"=5'

FILE NAME = G:\ENR\06-5798-17 Lake St Triple Box Culvert\CAD\Civil\Gr\1\Utility-Relocations\065798-17-Lake-St-Triple-Box-Culvert-San-Profile.rvt

DATE	
BY	
REVISION	
PLAN	

DATE	
BY	
REVISION	
PROFILE	



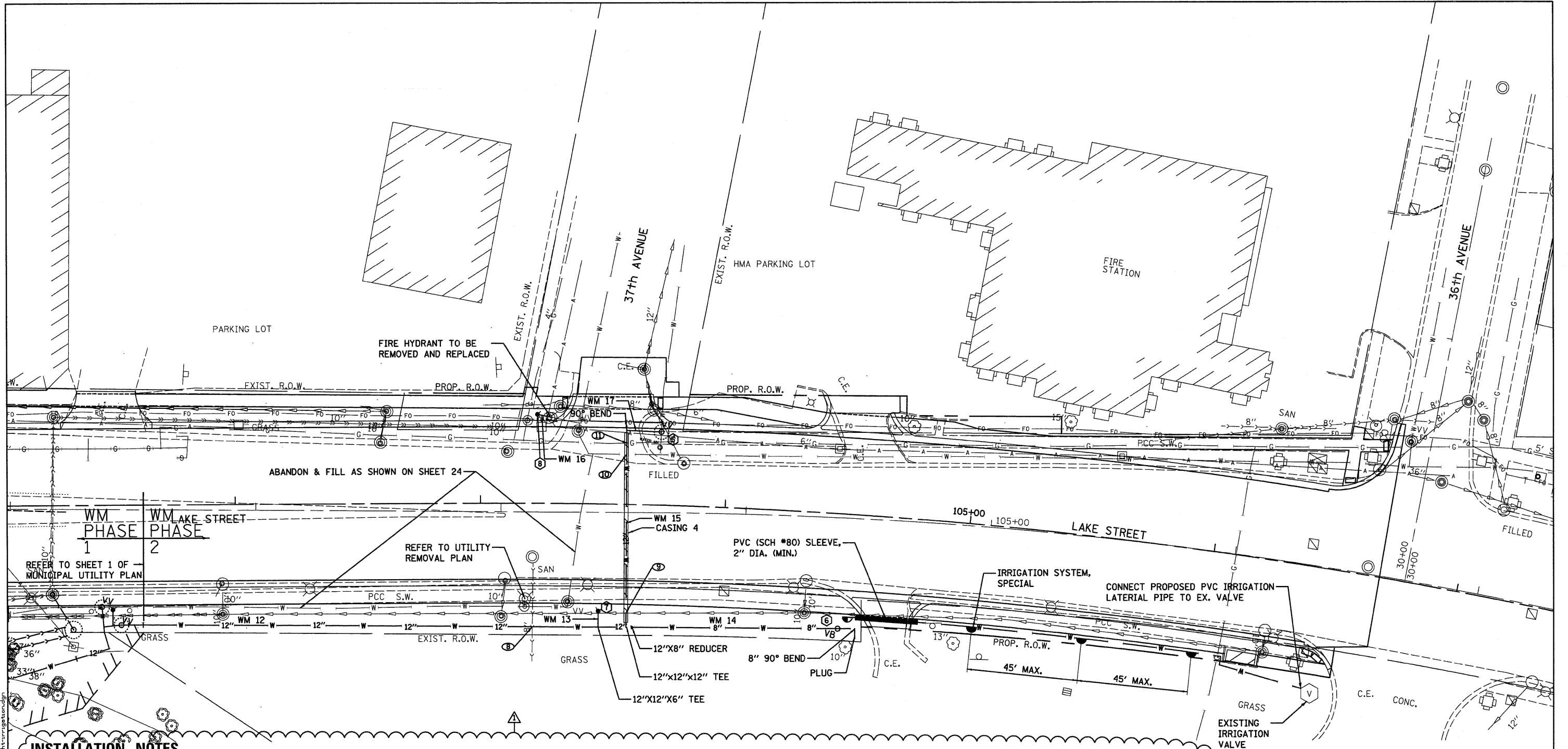
USER NAME = #USER#	DESIGNED - KB	REVISED -
	DRAWN - CEY	REVISED -
PLOT SCALE = #SCALE#	CHECKED -	REVISED -
PLOT DATE = 4/11/2011	DATE -	REVISED -

STATE OF ILLINOIS
DEPARTMENT OF TRANSPORTATION

MUNICIPAL UTILITY PLAN LAKE STREET OVER ADDISON CREEK		
SCALE: 1"=20'	SHEET NO. 1 OF 2 SHEETS	STA. 100+24 TO STA. 101+45

F.A.U. RTE. 3537	SECTION 3264-T	COUNTY COOK	TOTAL SHEETS 110	SHEET NO. 26
CONTRACT NO. 60H44				ILLINOIS FED. AID PROJECT

REVISIONS



INSTALLATION NOTES

- A) INSTALL PHASE 2 WATER MAIN SOUTH OF LAKE STREET.
- B) INSTALL 40'± OF 24" CASING WITHIN STAGE I. CAP NORTH END.
- C) INSTALL REMAINDER OF CASING IN STAGE II.
- D) INSTALL 12" WATER MAIN IN CASING AFTER ENTIRE CASING IS INSTALLED.
- E) PRESSURE CONNECT @ WATER STRUCTURE ⑤
- F) PERFORM TESTING ON INSTALLED WATER MAIN
- G) FLUSH AND CHLORINATE INSTALLED WATER MAIN
- H) ABANDON & FILL EXISTING 8" WATER AS SHOWN ON SHEET 24 AFTER 12" WATER MAIN SYSTEM IS OPERATIONAL AND VILLAGE SHUTS OFF 8" WATER MAIN.

UTILITY CROSSINGS

T/ = TOP OF UTILITY
B/ = BOTTOM OF UTILITY

- ① B/EX. SAN. = T/12" WM = 630.50 VERTICAL SEPARATION =
- ② B/EX. STORM = UNKNOWN T/STEEL CASING = 630.78 VERTICAL SEPARATION = 1.5' MIN. CONTRACTOR TO NOTIFY RESIDENT ENGINEER OF EXPLORATION TRENCH FINDINGS SO THAT THE ENGINEER MAY VERIFY CROSSING & STEEL CASING ELEVATIONS.

- ③ B/EX. 8" WTRMN. = 628.75± T/24" CASING = 628.25 T/12" WTRMN IN CASING= 627.80 VERTICAL SEPARATION = 0.5' MIN.
- ④ B/EX. 12" GAS = 629.8± T/24" CASING = 628.25 T/12" WTRMN IN CASING= 627.80 VERTICAL SEPARATION = 1.55'

STEEL CASING PIPE

CASING 4 - 80 LF STEEL CASING, 24" Ø

PHASE 2 - WATER STRUCTURES PHASE 2 - WATER MAIN

- ⑤ PRESSURE CONNECTION, 12"x12", VALVE VAULT, TYPE A, TYPE 1 FRAME, CLOSED LID, SPECIAL STA. 103+73.11, 29.64' LT. RIM=635.77
- ⑥ GATE VALVE, 8" W/VALVE BOX STA. 104+48.8, 46.8' RT RIM=635.90
- ⑦ FIRE HYD W/AUX V & VB STA. 103+48.8, 43.6' RT GROUND RING ELEV.=636.60
- ⑧ FIRE HYDRANT TO BE REMOVE AND REPLACED STA. 103+23.3, 36.08' LT GROUND RING ELEV.=636.60
- WM 12 - 201 LF DUCTILE IRON WATER MAIN, 12"
- WM 13 - 7 LF DUCTILE IRON WATER MAIN, 6"
- WM 14 - 94 LF DUCTILE IRON WATER MAIN, 8"
- WM 15 - 80 LF DUCTILE IRON WATER MAIN, 12" IN STEEL CASING
- WM 16 - 6 LF DUCTILE IRON WATER MAIN, 6"
- WM 17 - 14 LF DUCTILE IRON WATER MAIN, 12"

NOTE

- 1. ALL WORK AND MATERIALS ASSOCIATED WITH THE INSTALLATION OF THE IRRIGATION SYSTEM WILL BE PAID FOR AS "IRRIGATION SYSTEM SPECIAL".

FILE NAME = G:\ENR\06-6799-17 Lake St. Trip\le Box Culvert\CAD\Civil\Sheet\06044-11-11.mxd



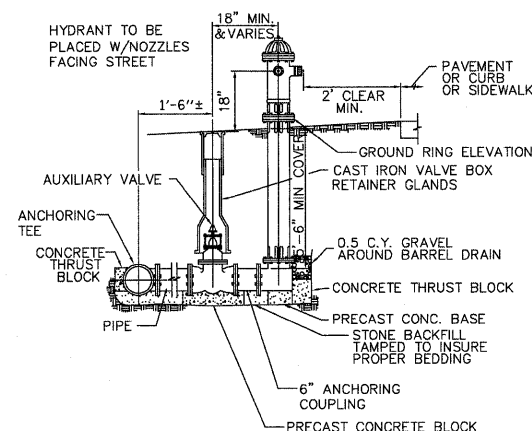
USER NAME = #USER#	DESIGNED - KAC	REVISED -
PLOT SCALE = #SCALE#	DRAWN - TMF	REVISED -
PLOT DATE = 4/11/2011	CHECKED - KAC	REVISED -
	DATE -	REVISED -

**STATE OF ILLINOIS
DEPARTMENT OF TRANSPORTATION**

MUNICIPAL UTILITY PLAN LAKE STREET OVER ADDISON CREEK		
SCALE: 1" = 20'	SHEET NO. 2 OF 2 SHEETS	STA. 103+00 TO STA. 105+00

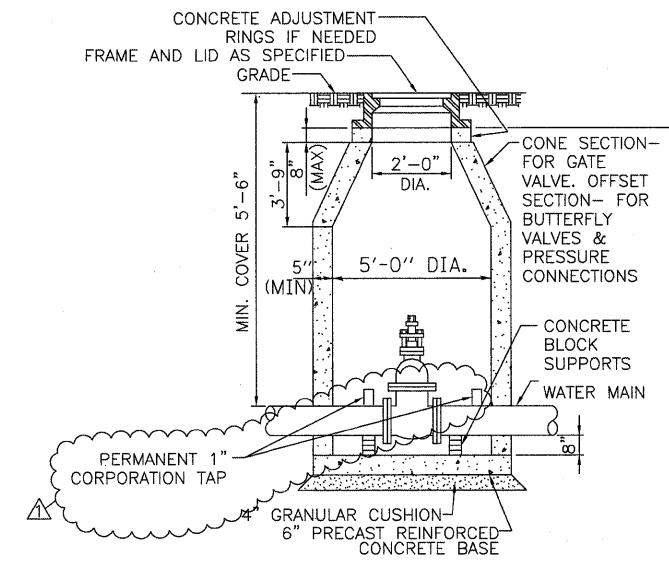
F.A.U. RTE. 3537	SECTION 3264-T	COUNTY COOK	TOTAL SHEETS 110	SHEET NO. 27
CONTRACT NO. 60H44				
ILLINOIS FED. AID PROJECT				

FIRE HYDRANT WITH AUX VALVE & VALVE BOX



- NOTES:**
- CONCRETE BASE & THRUST BLOCK SHALL BE SET SO AS TO NOT BLOCK OR OBSTRUCT THE HYDRANT DRAIN.

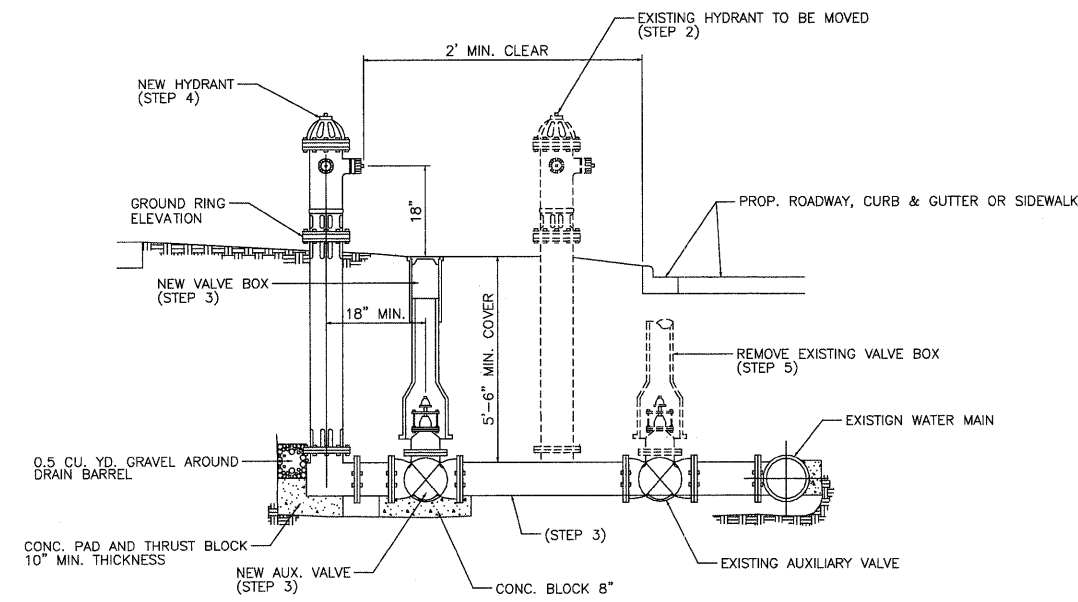
VALVE VAULT



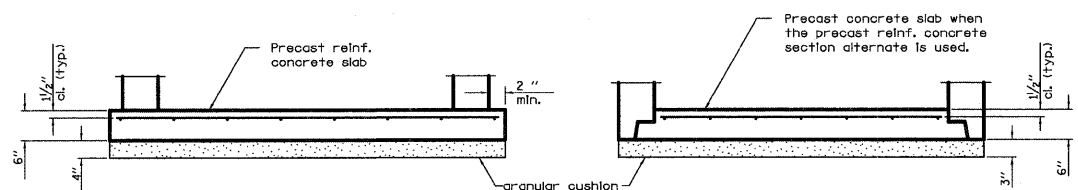
- GENERAL NOTES**
- Bottom slabs shall be reinforced with a minimum of 0.31 sq. in./ft. (660 sq. mm/m) in both directions with a maximum spacing of 12 (300).
- Bottom slabs may be connected to the riser as determined by the fabricator; however, only a single row of reinforcement around the perimeter may be utilized.
- The cone dimension for precast risers may vary from that given to plus 6".
- All joints, top slab sections, adjustment rings, and casting shall be sealed with a bituminous material to ensure water tightness.
- Frame and lid castings to be provided, shall be as specified on the plans or in the special provisions. The words "WATER" and "VILLAGE OF MELROSE PARK" shall be cast in the lid.

SEE WATER MAIN GENERAL NOTES FOR ALL DETAILS NOT SPECIFIED

FIRE HYDRANTS TO BE REMOVED AND REPLACED

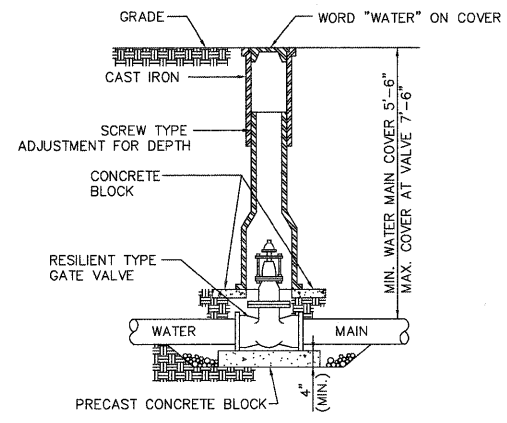


- SEQUENCE OF CONSTRUCTION:**
- CLOSE EXISTING VALVE
 - REMOVE EXISTING HYDRANT *
 - INSTALL HYDRANT EXTENSION (WM 16) AND NEW VALVE AND VALVE BOX
 - INSTALL NEW HYDRANT (WATER STRUCTURE 8)
 - OPEN EXISTING VALVE, REMOVE BOX *
 - BACKFILL
 - FLUSH AND TEST FOR CHLORIDE RESIDUAL AND PROVIDE TEST
- ALL WORK TO BE DONE IN ACCORDANCE WITH ARTICLE 564 OF THE STANDARD SPECIFICATIONS
- * ITEMS REMOVED TO BE DELIVERED TO VILLAGE OF MELROSE PARK'S PUBLIC WORKS.

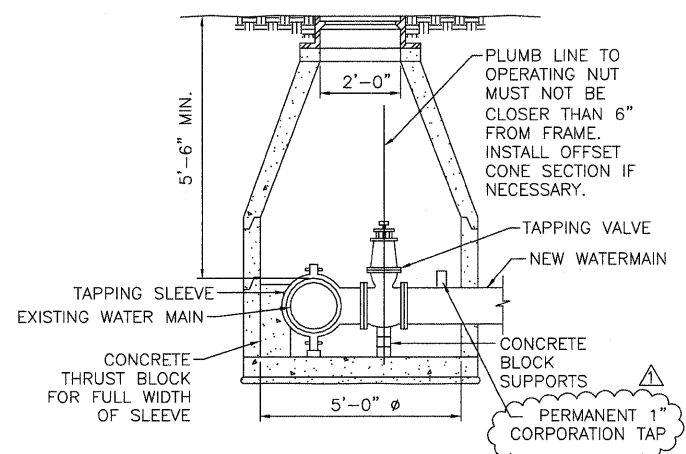


PRECAST REINFORCED CONCRETE BASE METHODS

VALVE VAULT BOX



PRESSURE CONNECTION



FILE NAME = G:\ENCL\06-07\98-17 Lake St. Triple Box Culvert\CAD\Civil\Sheet\0160H44-shr-detail.dgn



USER NAME = #USER#	DESIGNED -	REVISED -
PLOT SCALE = #SCALE#	DRAWN -	REVISED -
PLOT DATE = 4/11/2011	CHECKED -	REVISED -
	DATE -	REVISED -

**STATE OF ILLINOIS
DEPARTMENT OF TRANSPORTATION**

**UTILITY DETAILS
LAKE STREET OVER ADDISON CREEK**

SCALE: N.T.S. SHEET NO. 3 OF 5 SHEETS STA. 96+40 TO STA. 106+68

F.A.U. RTE. 3537	SECTION 3264-T	COUNTY COOK	TOTAL SHEETS 110	SHEET NO. 67
CONTRACT NO. 60H44				
ILLINOIS FED. AID PROJECT				