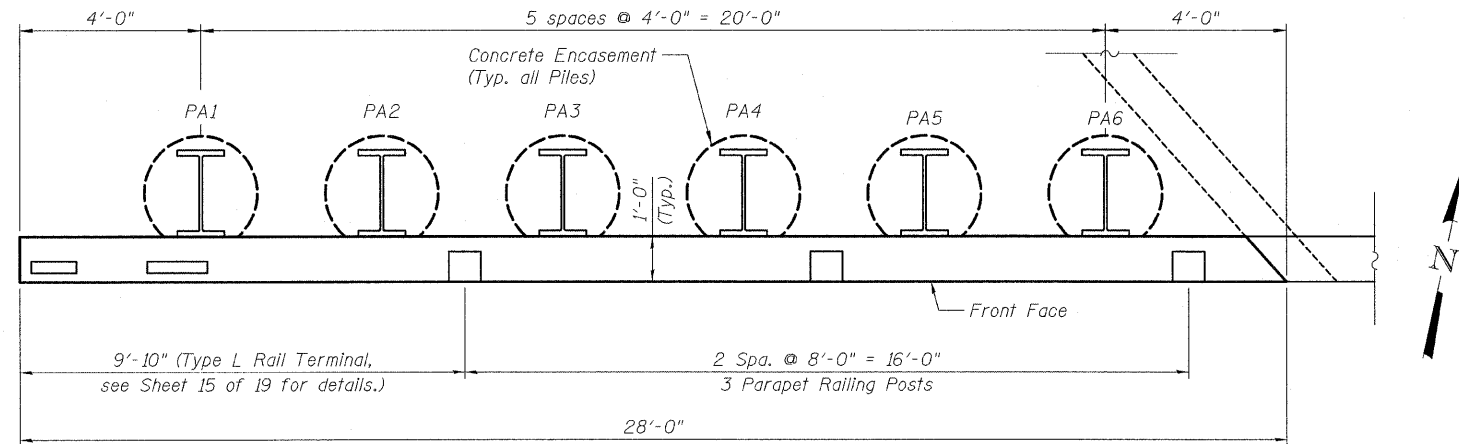


STATE OF ILLINOIS
DEPARTMENT OF TRANSPORTATION

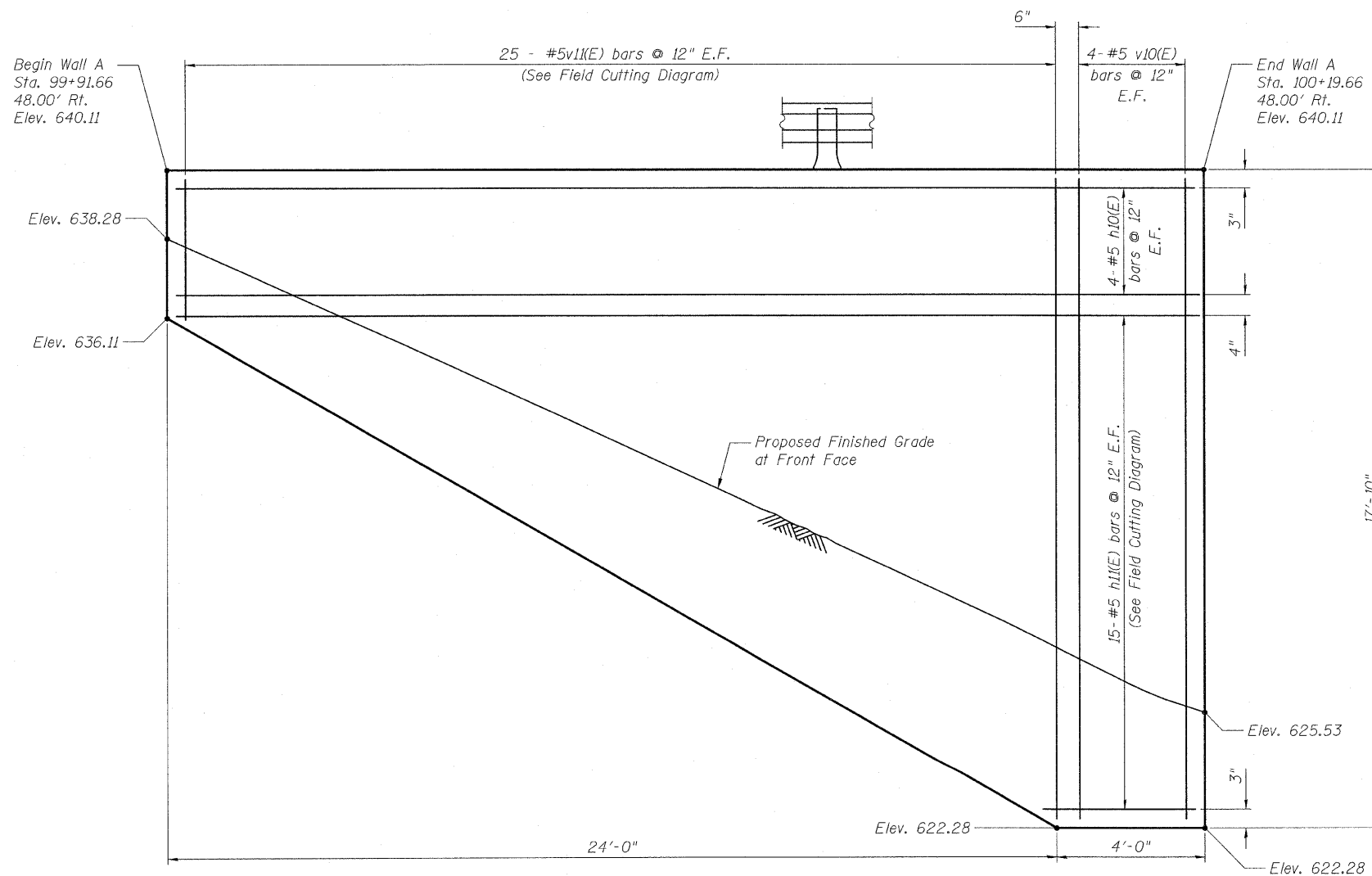


PLAN - WALL A

WALL A
SOLDIER PILE SCHEDULE

SOLDIER PILE DATA								ENCASEMENT DATA		
Pile No.	Station	Offset to ϕ of Hole	Pile Section	Top of Pile Elev.	Bot. of Pile Elev.	Pile Length (ft.)	No. of Stud Shear Conn.	Dia. (in.)	Top of Enc. Elev.	Enc. Length (ft.)
PA1	99+95.66	46.05' Rt.	W21x182	636.78	602.30	34.48	10	30	633.80	31.50
PA2	99+99.66	46.05' Rt.	W21x182	636.78	602.30	34.48	16	30	631.50	29.20
PA3	100+03.66	46.05' Rt.	W21x182	636.78	602.30	34.48	20	30	629.19	26.89
PA4	100+07.66	46.05' Rt.	W21x182	636.78	602.30	34.48	24	30	626.89	24.59
PA5	100+11.66	46.05' Rt.	W21x182	636.78	602.30	34.48	30	30	624.58	22.28
PA6	100+15.66	46.05' Rt.	W21x182	636.78	602.30	34.48	34	30	622.28	19.98

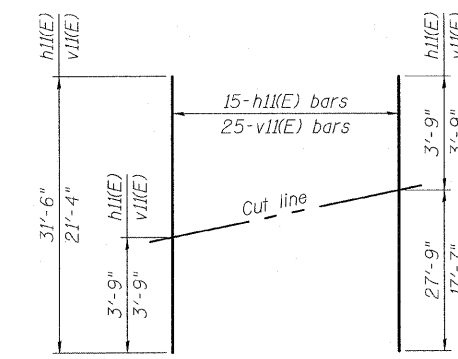
Conn. = Connectors
Enc. = Encasement



ELEVATION - WALL A
(Looking at Front Face of wall)

WALL A
BILL OF MATERIAL

Bar No.	Size	Length	Shape
h10(E)	#5	27'-9"	—
h1(E)	#5	31'-6"	—
h10(E)	#5	17'-7"	—
v1(E)	#5	21'-4"	—
Concrete Structures			Cu. Yd. 12.4
Stud Shear Connectors			Each 134
Untreated Timber Lagging			Sq. Ft. 206
Reinforcement Bars, Epoxy Coated			Pound 1430
Furnishing Soldier Piles (W Section)			Foot 206.9
Geocomposite Wall Drain			Sq. Yd. 11
Pipe Underdrain for Structures, 4"			Foot 32.2
Drilling & Setting Soldier Piles (In Soil)			Cu. Ft. 266.3
Drilling & Setting Soldier Piles (In Rock)			Cu. Ft. 500.8



FIELD CUTTING DIAGRAM

Order h1(E) and v1(E) bars full length. Cut to fit and use the remainder of bars in opposite face.

DESIGNED	JNH
CHECKED	BJM
DRAWN	JNH
CHECKED	BRT



Wight & Company
2500 North Frontage Road, Darien, IL 60561
630.969.7000 630.969.7979 fax
Design Firm Registration 184-000451

SHEET NO. 9 19 SHEETS	F.A.U. RTE. 3537	SECTION 3264-T	COUNTY COOK	TOTAL SHEETS 110	SHEET NO. 53
	CONTRACT NO. 60H44				
ILLINOIS FED. AID PROJECT					

WALL A
STRUCTURE NO. 016-2630

3/17/2011 10:22:53 AM Default G:\ENGIN\06-6790-17 Lake St. Triple Box Culvert\CAD\Structures\SHL\0162630-60H44-009-WallAPE.dgn