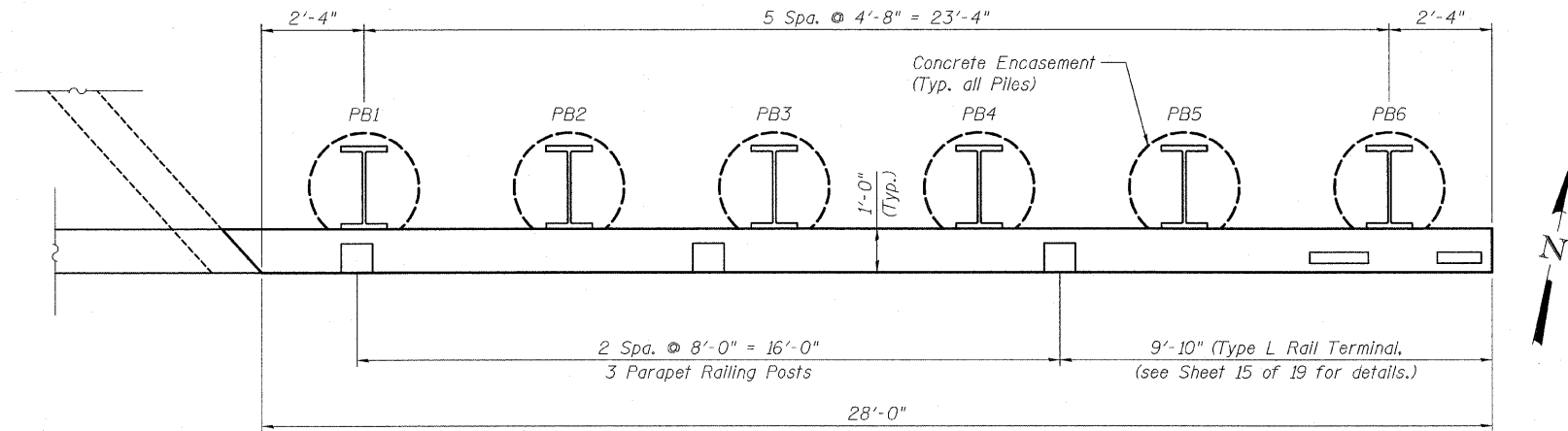


STATE OF ILLINOIS  
DEPARTMENT OF TRANSPORTATION



PLAN - WALL B

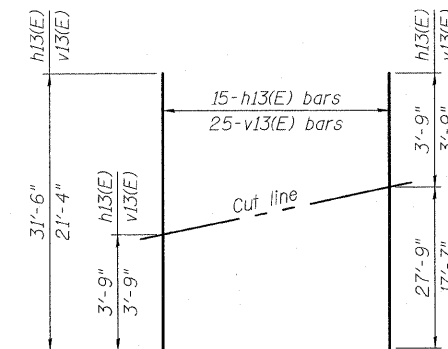
**WALL B**  
**SOLDIER PILE SCHEDULE**

Pile No.	Station	Offset to $\phi$ of Hole	Pile Section	SOLDIER PILE DATA				ENCASEMENT DATA		
				Top of Pile Elev.	Bot. of Pile Elev.	Pile Length (ft.)	No. of Stud Shear Conn.	Dia. (in.)	Top of Enc. Elev.	Enc. Length (ft.)
PB1	100+81.65	46.05' Rt.	W21x182	636.78	602.30	34.48	34	30	622.28	19.98
PB2	100+86.32	46.05' Rt.	W21x182	636.78	602.30	34.48	30	30	623.96	21.66
PB3	100+90.98	46.05' Rt.	W21x182	636.78	602.30	34.48	24	30	626.57	24.27
PB4	100+95.65	46.05' Rt.	W21x182	636.78	602.30	34.48	20	30	629.18	26.88
PB5	101+00.32	46.05' Rt.	W21x182	636.78	602.30	34.48	16	30	631.79	29.49
PB6	101+04.98	46.05' Rt.	W21x182	636.78	602.30	34.48	10	30	634.40	32.10

Conn. = Connectors  
Enc. = Encasement

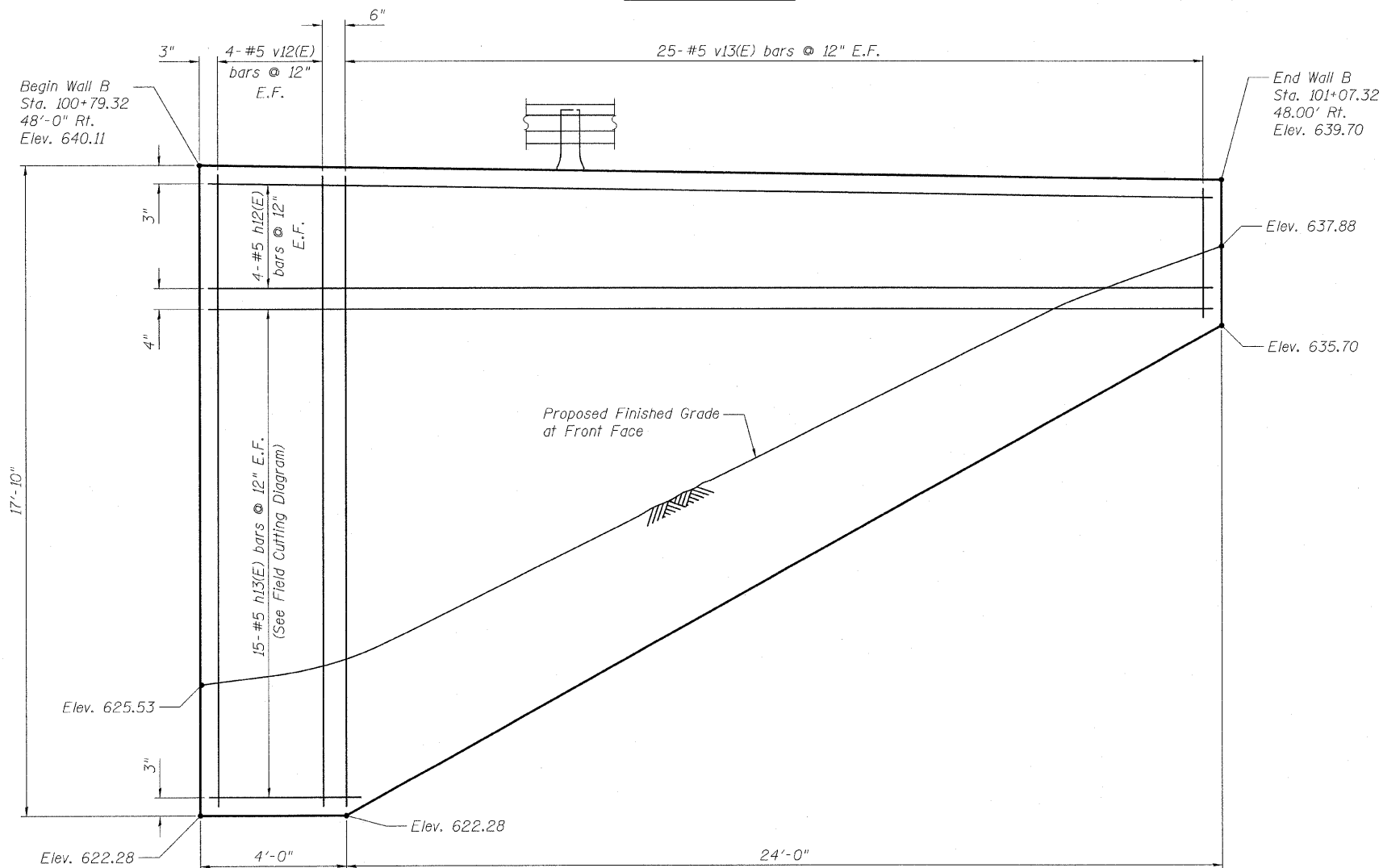
**WALL B**  
**BILL OF MATERIAL**

Bar	No.	Size	Length	Shape		
h12(E)	8	#5	27'-9"	—		
h13(E)	15	#5	31'-6"	—		
v12(E)	8	#5	17'-7"	—		
v13(E)	25	#5	21'-4"	—		
Concrete Structures			Cu. Yd.		12.4	
Stud Shear Connectors			Each		134	
Untreated Timber Lagging			Sq. Ft.		212	
Reinforcement Bars, Epoxy Coated			Pound		1430	
Furnishing Soldier Piles (W Section)			Foot		206.9	
Geocomposite Wall Drain			Sq. Yd.		11	
Pipe Underdrain for Structures, 4"			Foot		32.2	
Drilling & Setting Soldier Piles (In Soil)			Cu. Ft.		266.0	
Drilling & Setting Soldier Piles (In Rock)			Cu. Ft.		500.8	



**FIELD CUTTING DIAGRAM**

Order h13(E) and v13(E) bars full length. Cut to fit and use the remainder of bars in opposite face.



**ELEVATION - WALL B**

(Looking at Front Face of wall)

DESIGNED	JNH
CHECKED	BJM
DRAWN	JNH
CHECKED	BRT



**Wight & Company**  
2500 North Frontage Road, Darien, IL 60561  
630.969.7000 630.969.7979 fax  
Design Firm Registration 184-000451

**WALL B**  
**STRUCTURE NO. 016-2630**

SHEET NO. 10 19 SHEETS	F.A.U. RTE. 3537	SECTION 3264-T	COUNTY COOK	TOTAL SHEETS 110	SHEET NO. 54
	CONTRACT NO. 60H44				
ILLINOIS FED. AID PROJECT					