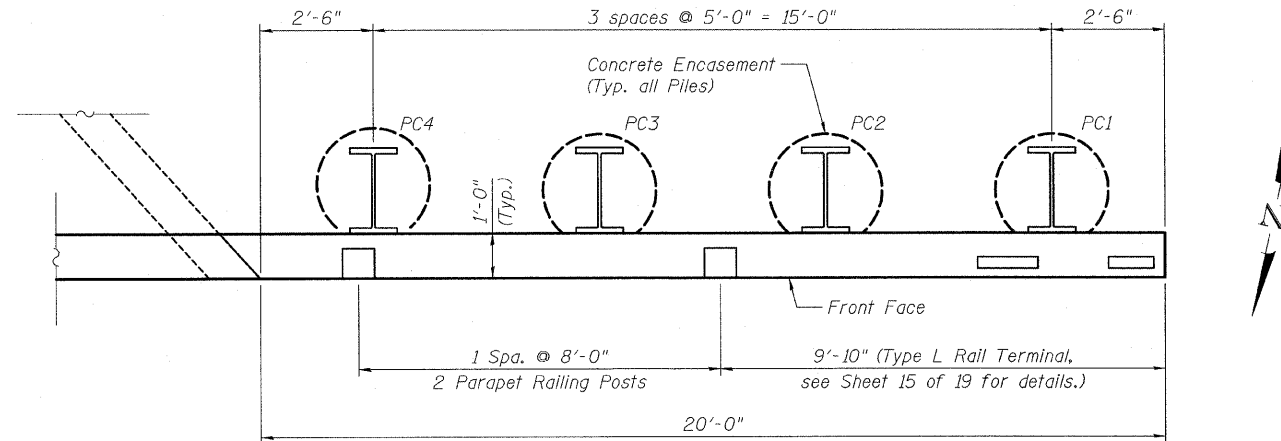
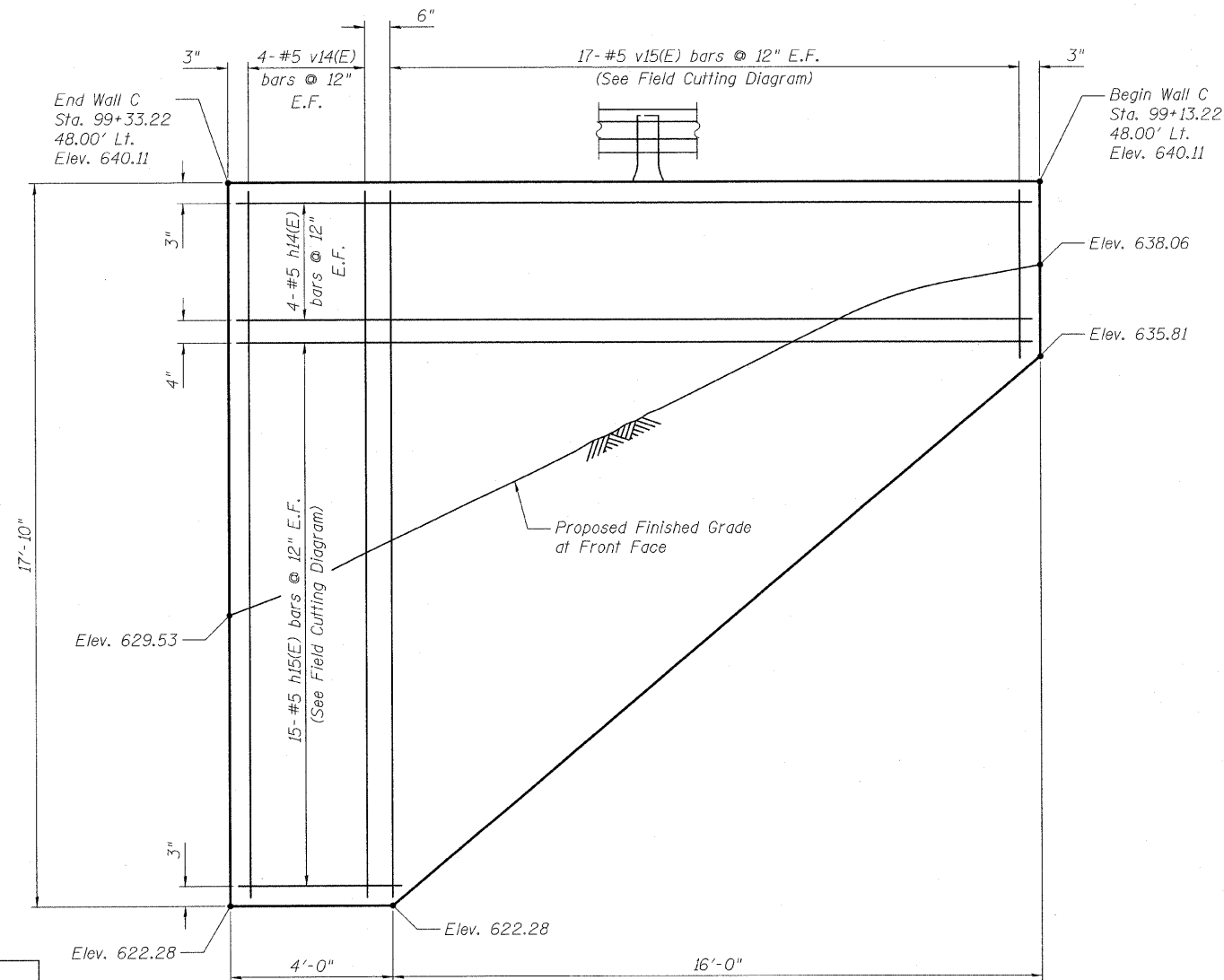


STATE OF ILLINOIS
DEPARTMENT OF TRANSPORTATION



PLAN - WALL C



ELEVATION - WALL C
(Looking at Front Face of wall)

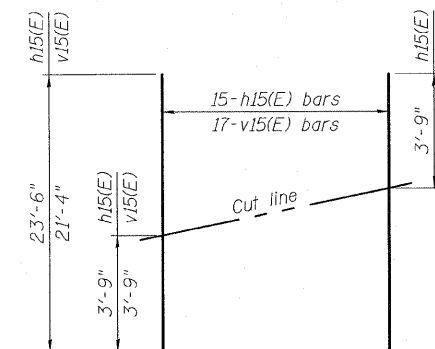
WALL C
SOLDIER PILE SCHEDULE

SOLDIER PILE DATA								ENCASEMENT DATA		
Pile No.	Station	Offset to C of Hole	Pile Section	Top of Pile Elev.	Bott. of Pile Elev.	Pile Length (ft.)	No. of Stud Shear Conn.	Dia. (in.)	Top of Enc. Elev.	Enc. Length (ft.)
PC1	99+15.72	46.05' Lt.	W21x182	636.78	600.70	36.08	10	30	633.78	33.08
PC2	99+20.72	46.05' Lt.	W21x182	636.78	600.70	36.08	20	30	629.55	28.85
PC3	99+25.72	46.05' Lt.	W21x182	636.78	600.70	36.08	28	30	625.32	24.62
PC4	99+30.72	46.05' Lt.	W21x182	636.78	600.70	36.08	34	30	622.28	21.58

Conn. = Connectors
Enc. = Encasement

WALL C
BILL OF MATERIAL

Bar	No.	Size	Length	Shape
h14(E)	8	#5	19'-9"	—
h15(E)	15	#5	23'-6"	—
v14(E)	8	#5	17'-7"	—
v15(E)	17	#5	21'-4"	—
Concrete Structures			Cu. Yd.	9.2
Stud Shear Connectors			Each	92
Untreated Timber Logging			Sq. Ft.	155
Reinforcement Bars, Epoxy Coated			Pound	1060
Furnishing Soldier Piles (W Section)			Foot	144.3
Geocomposite Wall Drain			Sq. Yd.	9
Pipe Underdrain for Structures, 4"			Foot	25.6
Drilling & Setting Soldier Piles (In Soil)			Cu. Ft.	171.5
Drilling & Setting Soldier Piles (In Rock)			Cu. Ft.	359.4



FIELD CUTTING DIAGRAM

Order h15(E) and v15(E) bars full length. Cut to fit and use the remainder of bars in opposite face.

DESIGNED	JNH
CHECKED	BRT
DRAWN	JNH
CHECKED	BJM



Wight & Company
2500 North Frontage Road, Darien, IL 60561
630.969.7000 630.969.7979 fax
Design Firm Registration 184-000451

SHEET NO. 11 19 SHEETS	F.A.U. RTE. 3537	SECTION 3264-T	COUNTY COOK	TOTAL SHEETS 110	SHEET NO. 55
	CONTRACT NO. 60H44				
ILLINOIS FED. AID PROJECT					

WALL C
STRUCTURE NO. 016-2630