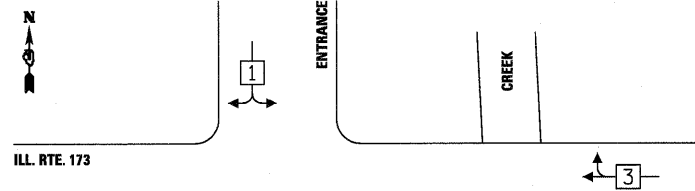


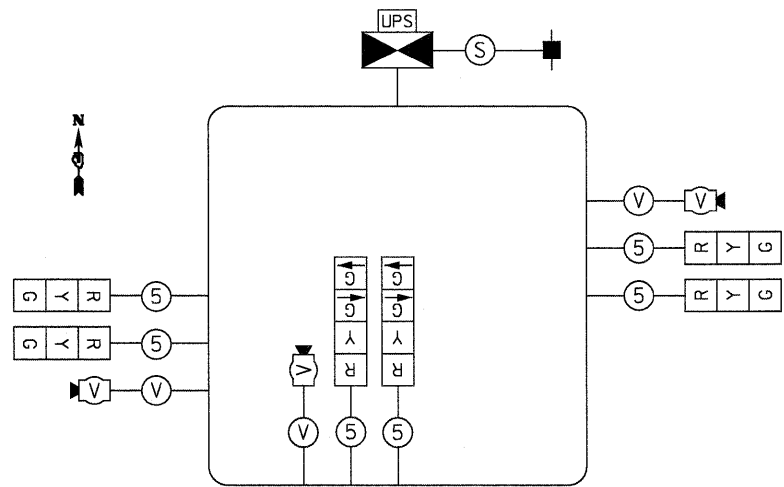
TEMPORARY BRIDGE TRAFFIC SIGNAL NOTES

1. REFER TO IDOT DISTRICT ONE STANDARD B.E. 805, "TEMPORARY LIGHTING AND TRAFFIC SIGNALS" AND THE SPECIAL PROVISIONS FOR ADDITIONAL INFORMATION AND REQUIREMENTS.
2. REFER TO IDOT DISTRICT ONE STANDARD B.E. 805, "TEMPORARY LIGHTING AND TRAFFIC SIGNALS" AND THE SPECIAL PROVISIONS FOR DETAILS RELATING TO THE SHARED ROADWAY LIGHTING/TRAFFIC EQUIPMENT AND SIGNAL ELECTRIC SERVICE.
3. REFER TO MAINTENANCE-OF-TRAFFIC PLANS FOR SIGN R10-6A.



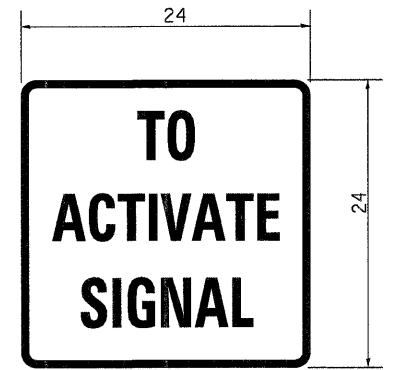
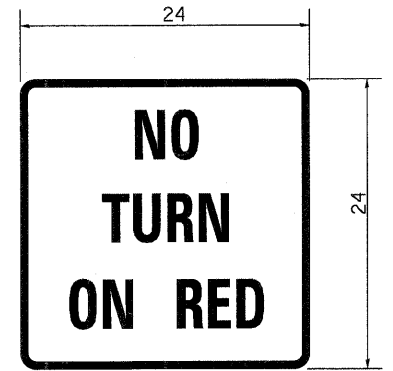
- LEGEND**
- ← ⊙ → DUAL ENTRY PHASE
 - ← ⊠ → SINGLE ENTRY PHASE
 - * NUMBER REFERS TO ASSOCIATED PHASE.

TEMPORARY PHASE DESIGNATION DIAGRAM
N.T.S.



- LEGEND**
- CONTROLLER CABINET W/ U.P.S.
 - SERVICE INSTALLATION
 - INDICATES NUMBER OF CONDUCTORS IN CABLE
 - SIGNAL FACE
 - UPS
 - VIDEO DETECTOR
 - CABLES FOR VIDEO DETECTOR (POWER AND SIGNAL)
 - SERVICE CABLE AS REQUIRED

TEMPORARY CABLE PLAN
N.T.S.



STOP LINE SIGN FOR TEMPORARY SIGNALS

- LEGEND**
- ⊙ TEMPORARY LIGHTING
 - ⊙ WOOD POLE
 - ➔ TRAFFIC SIGNAL HEAD W/ BACK PLATE
 - ▨ DETECTION ZONE
 - AC — AERIAL CABLE W/ MESSENGER WIRE
 - TS — TEMPORARY TRAFFIC SIGNAL SPAN WIRE

SIZE: 24 x 24
 4 CAPITAL LETTERS - BLACK
 1/2 BORDER - BLACK
 WHITE REFLECTIVE - TYPE AP
 HIGH INTENSITY PRISMATIC SHEETING

NOTES:
 THIS SIGN SHALL BE INSTALLED AT THE STOP LINE AS DIRECTED BY ENGINEER.
 ALL DIMENSIONS ARE IN INCHES UNLESS OTHERWISE NOTED.

FILE NAME = P:\CBBEL WEST Projects\2009\09-0147_IL173\Civil\09\Sh\N160129.sht - ecf.rgs.dgn

WBK WILLIS BURKE KELSEY ASSOCIATES LTD.
 116 West Main Street, Suite 201
 St. Charles, Illinois 60174

USER NAME = ahglund	DESIGNED - KMA	REVISED -
PLOT SCALE =	DRAWN - KMA	REVISED -
PLOT DATE = 1/5/2011	CHECKED - PJF	REVISED -
	DATE - 12/14/10	REVISED -

STATE OF ILLINOIS
 DEPARTMENT OF TRANSPORTATION

MAINTENANCE OF TRAFFIC TEMPORARY BRIDGE TRAFFIC SIGNALS	
SCALE:	SHEET NO. 29 OF 106 SHEETS STA. TO STA.

F.A.P. RTE. 303	SECTION 132 B-2	COUNTY McHENRY	TOTAL SHEETS 106	SHEET NO. 29
CONTRACT NO. 60129				
FED. ROAD DIST. NO. ILLINOIS FED. AID PROJECT				