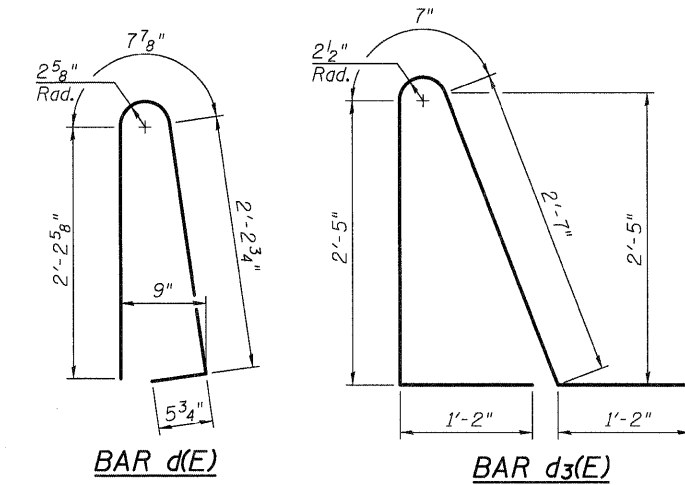


Notes:

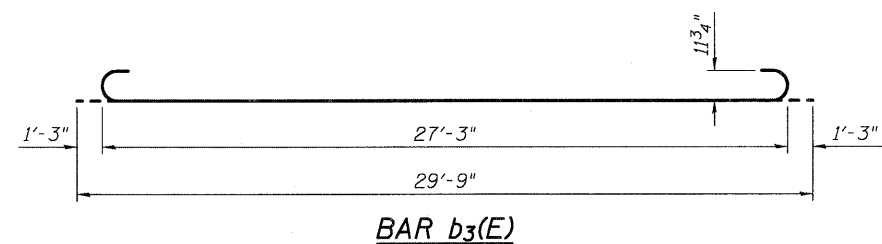
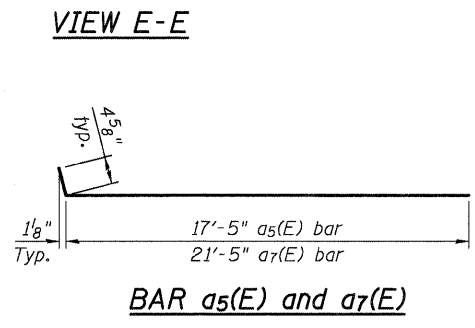
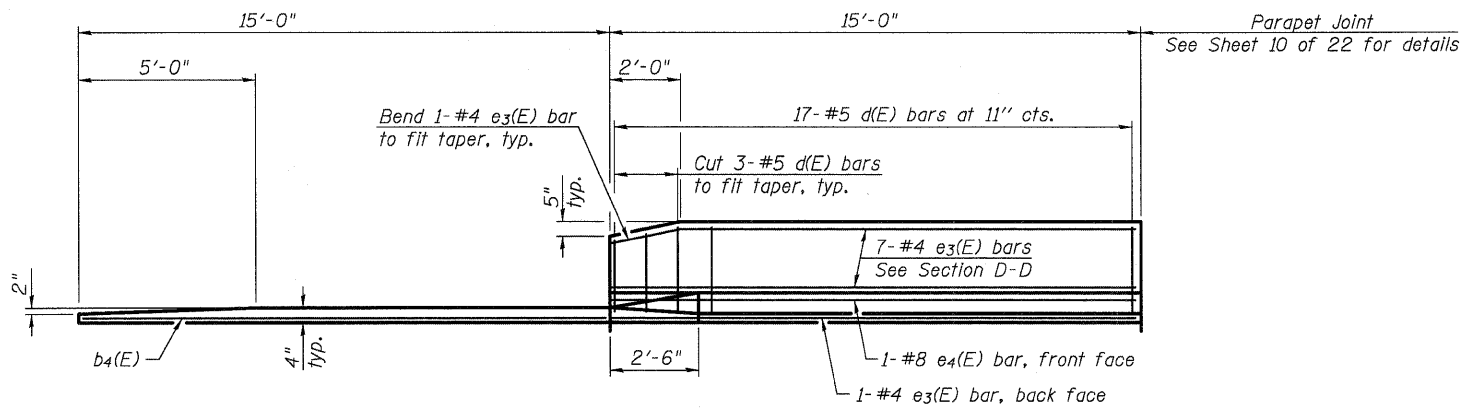
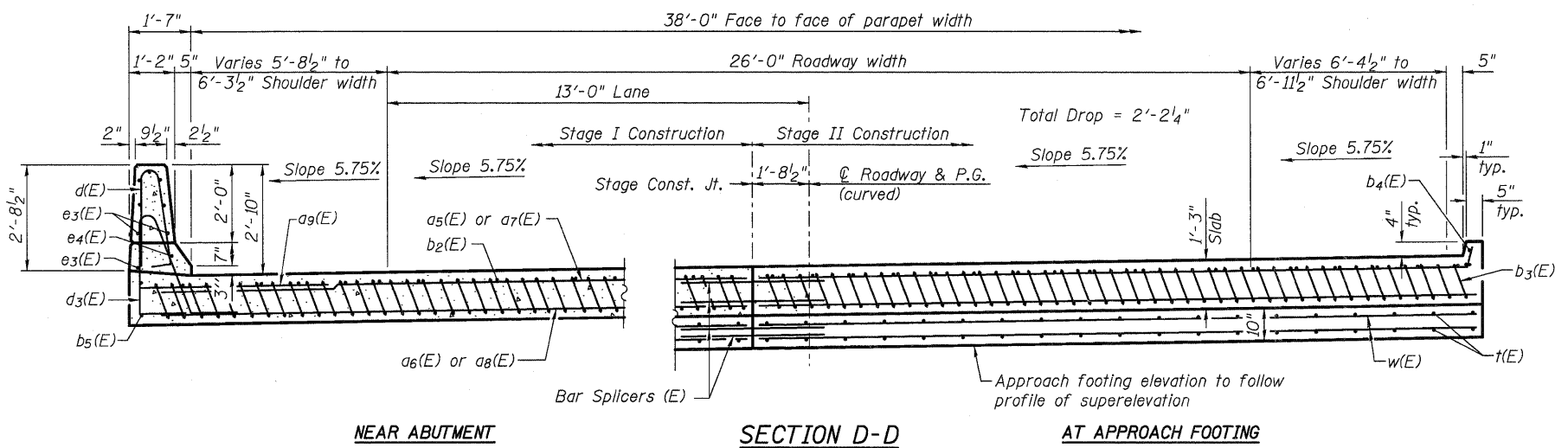
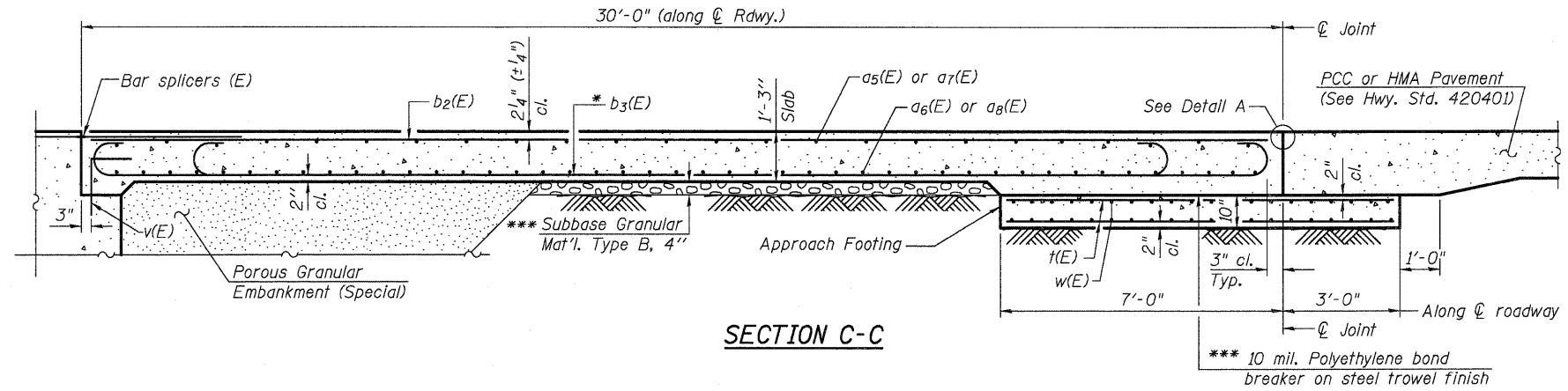
See sheet 11 of 22 for Detail A and View B-B.  
 Approach slab and parapet concrete shall be paid for as Concrete Superstructure.  
 Approach footing concrete shall be paid for as Concrete Structures.  
 Reinforcement shall be paid for as Reinforcement Bars, Epoxy Coated.  
 For v(E) bar details, see sheet 10 of 22.  
 The approach footing maximum applied service bearing pressure (Qmax) = 2.0 ksf.  
 For bar splicer details, see sheet 20 of 22.  
 Cost of excavation for approach footing included with Concrete Structures.  
 For Porous Granular Embankment (Special) and drainage treatment details, see sheet 2 of 22.  
 For additional parapet details, see sheet 10 of 22.



\* Tilt #9 b3(E) bars as required to maintain clearance.  
 \*\*\* Cost included with Concrete Superstructure.

**TWO APPROACHES  
 BILL OF MATERIAL**

Bar	No.	Size	Length	Shape
a5(E)	50	#4	17'-10"	—
a6(E)	92	#5	17'-7"	—
a7(E)	50	#4	21'-10"	—
a8(E)	92	#5	21'-7"	—
a9(E)	48	#6	6'-6"	—
b2(E)	66	#4	29'-8"	—
b3(E)	192	#9	29'-9"	—
b4(E)	4	#4	14'-8"	—
b5(E)	4	#4	14'-8"	—
d(E)	68	#5	5'-7"	▲
d3(E)	68	#5	7'-11"	▲
e3(E)	32	#4	14'-8"	—
e4(E)	4	#8	14'-8"	—
t(E)	168	#4	9'-8"	—
w(E)	80	#5	17'-7"	—
w1(E)	80	#5	21'-7"	—
Concrete Superstructure		Cu. Yd.	119.5	
Concrete Structures		Cu. Yd.	24.9	
Reinforcement Bars, Epoxy Coated		Pound	32,140	



(Sheet 2 of 2)

FILE NAME = P:\CBBEL\WEST Projects\2009\05-0147\_IL173\Structure\Drawings\0568091-60124-012-AppSI\0504a.dgn

**WILLS BURKE KELSEY ASSOCIATES LTD.**  
 116 West Main Street, Suite 201  
 St. Charles, Illinois 60174  
 (630) 443-7755

USER NAME =	DESIGNED - MLH	REVISED -
FILE NAME =	CHECKED - AEU	REVISED -
PLOT SCALE =	DRAWN - MLH	REVISED -
PLOT DATE =	CHECKED - AEU	REVISED -

**STATE OF ILLINOIS  
 DEPARTMENT OF TRANSPORTATION**

**BRIDGE APPROACH SLAB DETAILS  
 STRUCTURE NO. 056-0091**

SHEET NO. 12 OF 22 SHEETS

F.A.P. RTE.	SECTION	COUNTY	TOTAL SHEETS	SHEET NO.
303	132B-2	McHENRY	106	57
			CONTRACT NO. 60129	
ILLINOIS FED. AID PROJECT				