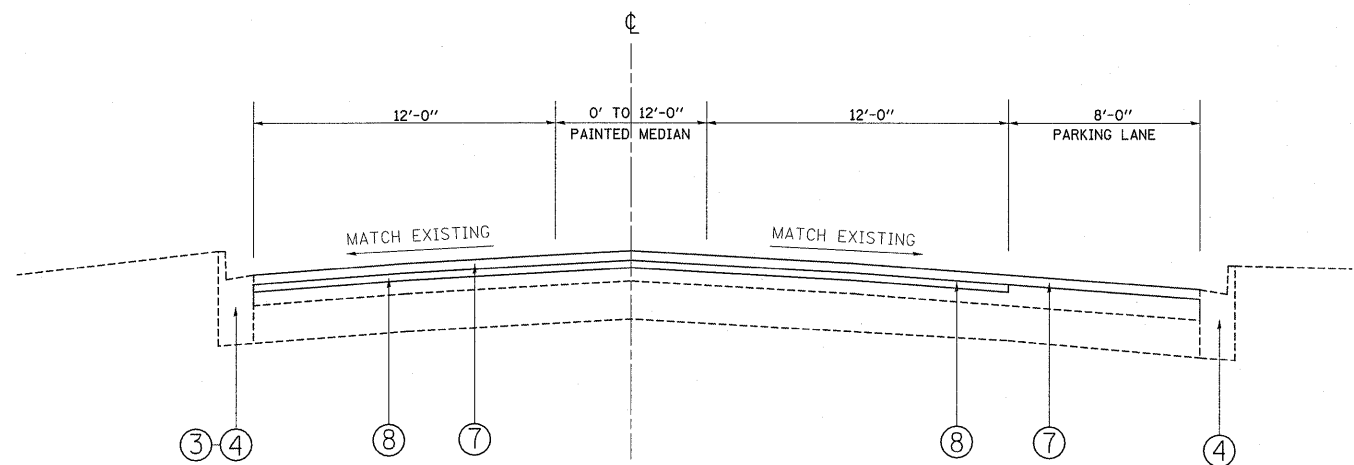


EXISTING TYPICAL SECTION  
MIDLOTHIAN RD.  
STA. 247+00 TO STA. 279+07

- LEGEND**
- ① EXISTING PCC PAVEMENT, ±8"
  - ② EXISTING HOT-MIX ASPHALT SURFACE COURSE AFTER MILLING ±7"
  - ③ EXISTING AGGREGATE SHOULDER
  - ④ EXISTING COMBINATION CONCRETE CURB AND GUTTER
  - ⑤ PROPOSED HOT-MIX ASPHALT SURFACE REMOVAL, 2 1/4"
  - ⑥ PROPOSED HOT-MIX ASPHALT SURFACE REMOVAL, 1 1/2"
  - ⑦ PROPOSED HOT-MIX ASPHALT SURFACE COURSE, MIX "D", N70, 1 1/2"
  - ⑧ PROPOSED POLYMERIZED LEVELING BINDER (MACHINE METHOD), IL-4.75, N50, 3/4"
  - ⑨ PROPOSED AGGREGATE WEDGE SHOULDER, TYPE B



PROPOSED TYPICAL SECTION  
MIDLOTHIAN RD.  
STA. 247+00 TO STA. 279+07

FILE NAME =	USER NAME = midjja	DESIGNED -	REVISED -	<b>STATE OF ILLINOIS DEPARTMENT OF TRANSPORTATION</b>	<b>MIDLOTHIAN RD. EXISTING &amp; PROPOSED TYPICAL SECTIONS</b>	F.A.U. RTE.	SECTION	COUNTY	TOTAL SHEETS	SHEET NO.	
ci:\pw_work\p\rdot\midjja\d0208730\DI52010-sh-t-plan.dgn	PLOT SCALE = 50.0000' / IN.	DRAWN -	REVISED -			2605	48 RS-3	LAKE	27	5	
	PLOT DATE = 2/4/2011	CHECKED -	REVISED -			CONTRACT NO. 60K51					
		DATE -	REVISED -			FED. ROAD DIST. NO. 1 ILLINOIS FED. AID PROJECT					
					SCALE:	SHEET NO. 1 OF 1 SHEETS		STA. *	TO STA. *		