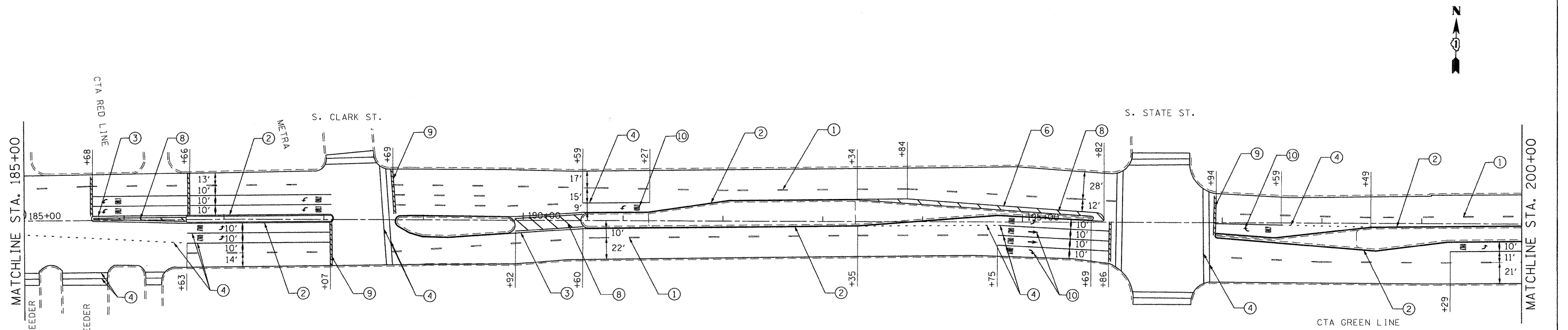


NOTES:  
 1. REFER TO CITY OF CHICAGO TYPICAL PAVEMENT MARKINGS (TC-24) FOR ADDITIONAL INFORMATION.



PAVEMENT MARKING LEGEND (SEE NOTE 1)

- ① THERMOPLASTIC PAVEMENT MARKING 4" WHITE LINE
- ② THERMOPLASTIC PAVEMENT MARKING 4" YELLOW LINE
- ③ THERMOPLASTIC PAVEMENT MARKING 4" DOUBLE YELLOW LINE
- ④ THERMOPLASTIC PAVEMENT MARKING 6" WHITE LINE
- ⑤ THERMOPLASTIC PAVEMENT MARKING 8" WHITE LINE
- ⑥ THERMOPLASTIC PAVEMENT MARKING 8" YELLOW LINE
- ⑦ THERMOPLASTIC PAVEMENT MARKING 12" DIAGONAL WHITE LINE
- ⑧ THERMOPLASTIC PAVEMENT MARKING 12" DIAGONAL YELLOW LINE
- ⑨ THERMOPLASTIC PAVEMENT MARKING 24" WHITE BAR
- ⑩ THERMOPLASTIC PAVEMENT MARKING LETTERS AND SYMBOLS (TYP)

STATE OF ILLINOIS  
 DEPARTMENT OF TRANSPORTATION

CERMAK ROAD  
 HALSTED ST. TO MCCORMICK SQUARE

PAVEMENT MARKING PLAN

SCALE: 1"=50' SHEET NO. OF SHEETS STA. 170+00 TO STA. 200+00

F.A.U. RTE.	SECTION	COUNTY	TOTAL SHEETS	SHEET NO.
1453	2010-033- RS	COOK	23	10
CONTRACT NO. 60K86				

FILE NAME : P:\2009\ME09086\_Ver-Var-Phil\CADD\W024\_Cermak\Shets\11-D160K86-Pmk-02.dgn  
 PLOT SCALE : 50/8000 / IN.  
 USER NAME : Millennia Professional Services



200 22ND Street, Suite 216, Lombard, IL 60148  
 630.785.0110 voice, 630.839.2566 fax  
 www.mps-il.com

MILLENNIA PROFESSIONAL SERVICES

DESIGNED - CML	REVISED -
DRAWN - JGH	REVISED -
CHECKED - TVN	REVISED -
DATE - 02/09/11	REVISED -

P:\2009\ME09086\_Ver-Var-Phil\CADD\W024\_Cermak\Shets\11-D160K86-Pmk-02.dgn