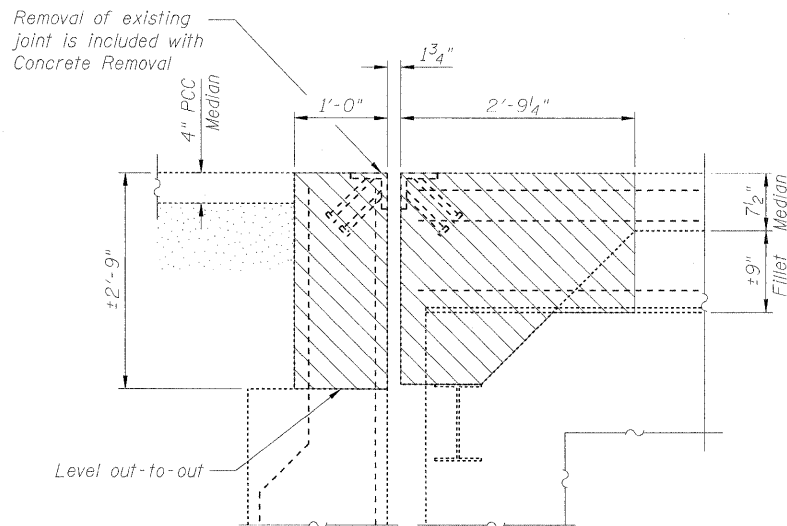
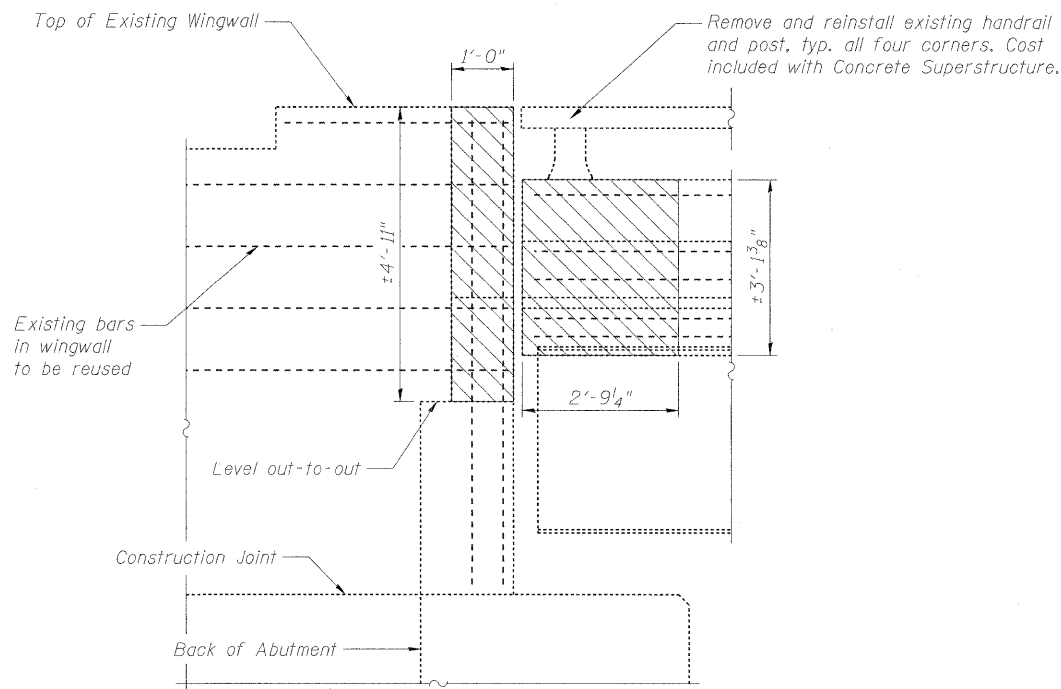


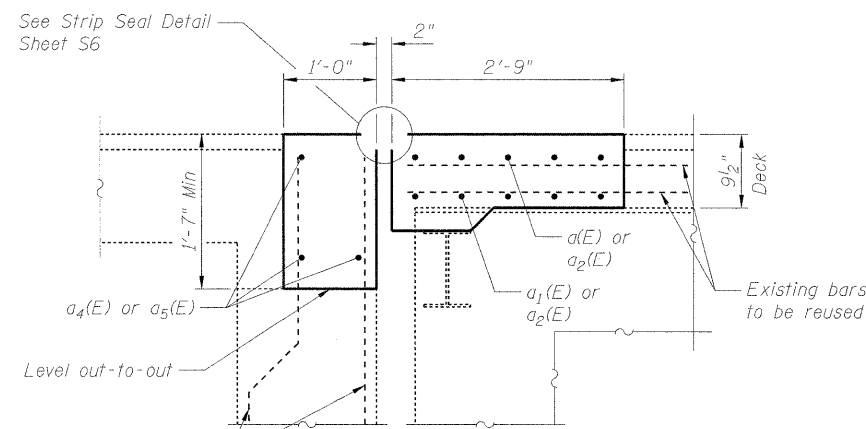
EXISTING SECTION A-A



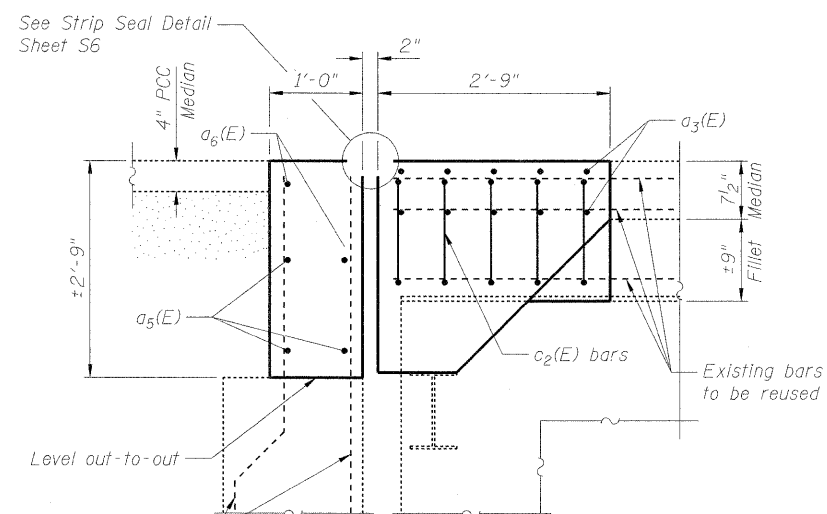
EXISTING SECTION B-B



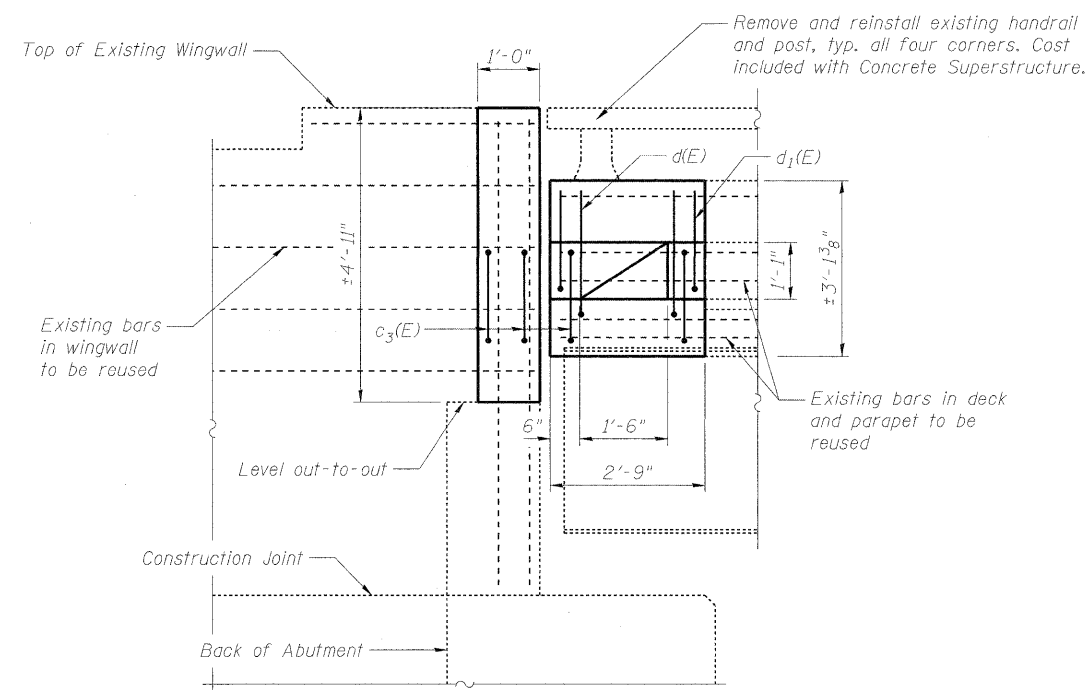
EXISTING SECTION C-C



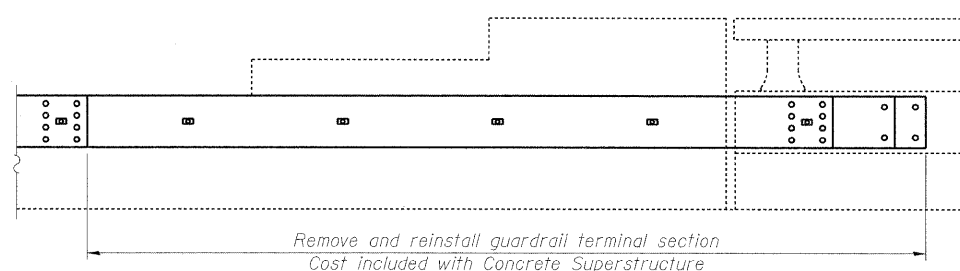
PROPOSED SECTION A-A



PROPOSED SECTION B-B



PROPOSED SECTION C-C



GUARDRAIL TERMINAL DETAIL

(at Northeast and Southwest Corners)



FILE NAME = g:\projects\2102155_0005a\cadd\structure\0160161_604_47_804A_Expansion_Joint_2.dgn



USER NAME = 2sayerb
 PLOT SCALE = N/A
 PLOT DATE = 5/21/2011

DESIGNED - BHS
 CHECKED - GSP
 DRAWN - MJB
 CHECKED - GSP

REVISED -
 REVISED -
 REVISED -
 REVISED -

**STATE OF ILLINOIS
 DEPARTMENT OF TRANSPORTATION**

**EXPANSION JOINT RECONSTRUCTION DETAILS (2 OF 2)
 S.N. 016-0961**

SHEET NO. 54A OF 11 SHEETS

F.A.P. RTE. 343	SECTION 531-4HBK-BR-1	COUNTY COOK	TOTAL SHEETS 25	SHEET NO. 14A
CONTRACT NO. 60L47				
FED. ROAD DIST. NO. 1 ILLINOIS FED. AID PROJECT				