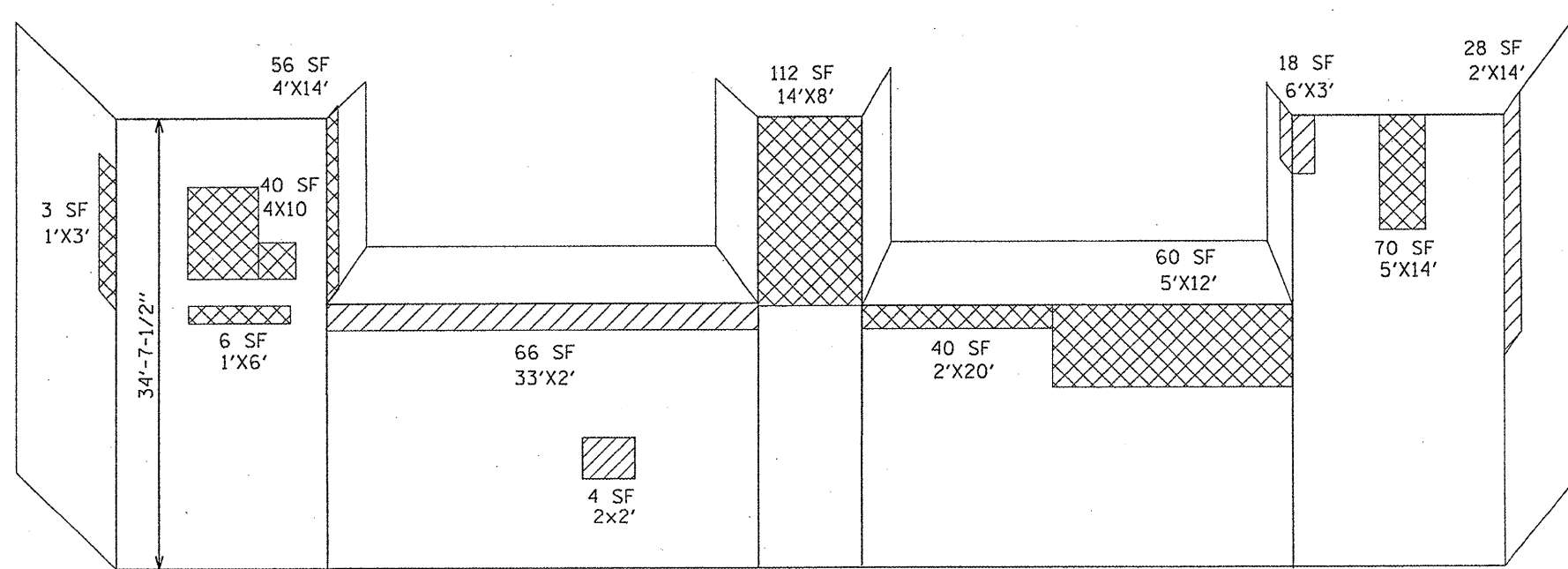


PIER 2 (EAST FACE)

PIER 2 BILL OF MATERIAL		UNIT	QUANTITY
STRUCTURAL REPAIR OF CONCRETE \leq 5"		SQ. FT.	403
STRUCTURAL REPAIR OF CONCRETE $>$ 5"		SQ. FT.	172



PIER 2 (WEST FACE)

 STRUCTURAL REPAIR OF CONCRETE $>$ 5"

 STRUCTURAL REPAIR OF CONCRETE \leq 5"

FILE NAME =	USER NAME = coonnellte	DESIGNED -	REVISED -
c:\p\work\p\w\dot\coonnellte\d0228365\1750518-sht-plan.dgn		DRAWN -	REVISED -
PLOT SCALE = 103.3576 ' / IN.		CHECKED -	REVISED -
PLOT DATE = 9/15/2010		DATE -	REVISED -

STATE OF ILLINOIS
DEPARTMENT OF TRANSPORTATION

LOCATION 3	SN 016-0570
PIER STRUCTURAL REPAIRS	PIER 2
SCALE:	SHEET NO. 4 OF 6 SHEETS STA. TO STA.

F.A. RTE.	SECTION	COUNTY	TOTAL SHEETS	SHEET NO.
VI0005	2010-068-BB	COOK	69	66
CONTRACT NO. 60LS1			ILLINOIS FED. AID PROJECT	