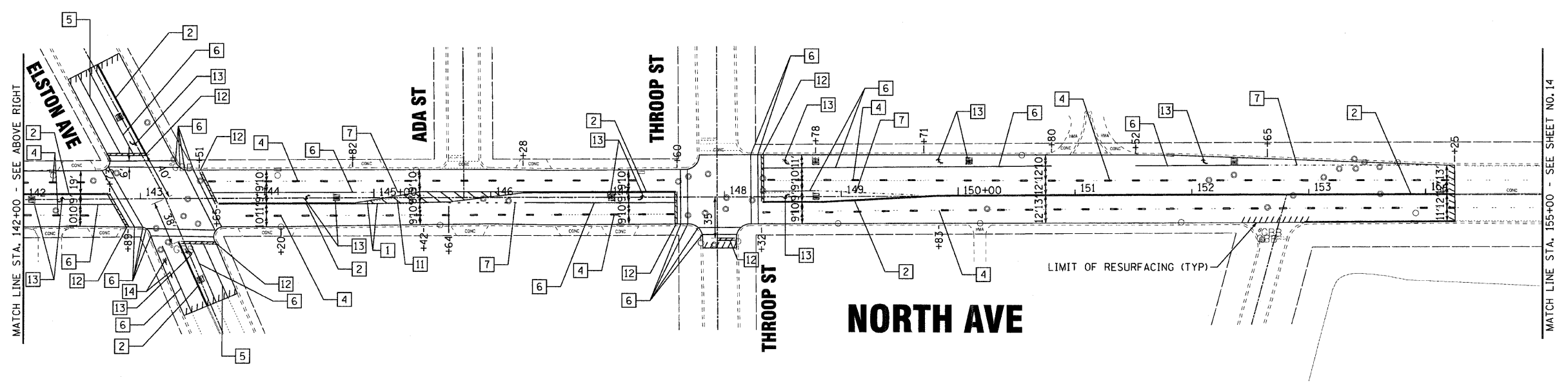


# NORTH AVE

- NOTES:**
1. MATCH EXISTING PAVEMENT MARKINGS AT THE PROJECT AND OMISSION LIMITS.
  2. ALL DAMAGE TO EXISTING PAVEMENT MARKINGS OUTSIDE THE REMOVAL LINE SHOWN ON THE PLANS SHALL BE REPLACED AT THE CONTRACTOR'S EXPENSE.
  3. FOR CROSSWALK MARKING DETAILS, SEE DISTRICT DETAIL TC-24 ON SHEET NO. 27.



# NORTH AVE

**LEGEND**

- |   |   |  |
|---|---|--|
| <ul style="list-style-type: none"> <li>1 THERMOPLASTIC PAVEMENT MARKING - LINE 4" (YELLOW SOLID LINE)</li> <li>2 THERMOPLASTIC PAVEMENT MARKING - LINE 4" (DOUBLE YELLOW SOLID LINE)</li> <li>3 THERMOPLASTIC PAVEMENT MARKING - LINE 4" (YELLOW - 6' DASH, 18' SKIP)</li> <li>4 THERMOPLASTIC PAVEMENT MARKING - LINE 4" (WHITE LANE LINE - 6' DASH, 18' SKIP)</li> <li>5 THERMOPLASTIC PAVEMENT MARKING - LINE 4" (WHITE SOLID LINE)</li> </ul> | <ul style="list-style-type: none"> <li>6 THERMOPLASTIC PAVEMENT MARKING - LINE 6" (WHITE SOLID LINE)</li> <li>7 THERMOPLASTIC PAVEMENT MARKING - LINE 6" (WHITE LANE LINE - 2' DASH, 6' SKIP)</li> <li>8 THERMOPLASTIC PAVEMENT MARKING - LINE 8" (WHITE SOLID LINE)</li> <li>9 THERMOPLASTIC PAVEMENT MARKING - LINE 12" (WHITE SOLID LINE)</li> </ul> | <ul style="list-style-type: none"> <li>10 THERMOPLASTIC PAVEMENT MARKING - LINE 12" (WHITE DIAGONAL LINE)</li> <li>11 THERMOPLASTIC PAVEMENT MARKING - LINE 12" (YELLOW DIAGONAL LINE) - 20' C-C</li> <li>12 THERMOPLASTIC PAVEMENT MARKING - LINE 24" (WHITE STOP BAR)</li> <li>13 THERMOPLASTIC PAVEMENT MARKING - LETTERS AND SYMBOLS (TYP)</li> <li>14 PREFORMED PLASTIC PAVEMENT MARKING, TYPE B-LETTERS AND SYMBOLS</li> <li>15 PREFORMED PLASTIC PAVEMENT MARKING, TYPE B-LINE 24"</li> </ul> |
|---|---|--|

COPYRIGHT © 2011 BY BAXTER & WOODMAN, INC.  
 ALL RIGHTS RESERVED. THIS DOCUMENT IS THE PROPERTY OF BAXTER & WOODMAN, INC. AND IS NOT TO BE REPRODUCED OR TRANSMITTED IN ANY FORM OR BY ANY MEANS, ELECTRONIC OR MECHANICAL, INCLUDING PHOTOCOPYING, RECORDING, OR BY ANY INFORMATION STORAGE AND RETRIEVAL SYSTEM, WITHOUT THE WRITTEN PERMISSION OF BAXTER & WOODMAN, INC.  
 PROJECT NO. 100153-WO13-PM2  
 DATE: 12/17/10  
 FILE: 100153-WO13-PM2.shx



DESIGNED - CAC	REVISED - PER IDOT 2-3-11
DRAWN - CJC	REVISED - PER IDOT 2-18-11
CHECKED - RWL	REVISED -
DATE - 12-17-10	FILE - 100153-WO13-PM2.shx

**STATE OF ILLINOIS**  
**DEPARTMENT OF TRANSPORTATION**

<b>NORTH AVENUE MILWAUKEE AVENUE TO CLARK STREET PAVEMENT MARKING PLAN</b>		F.A.P. RTE. 307	SECTION 2010-140-RS	COUNTY COOK	TOTAL SHEETS 29	SHEET NO. 13
SCALE: 1" = 50'		STA. 129+00 TO STA. 155+00		FED. ROAD DIST. NO. 1 ILLINOIS FED. AID PROJECT		
CONTRACT NO. 60N19						