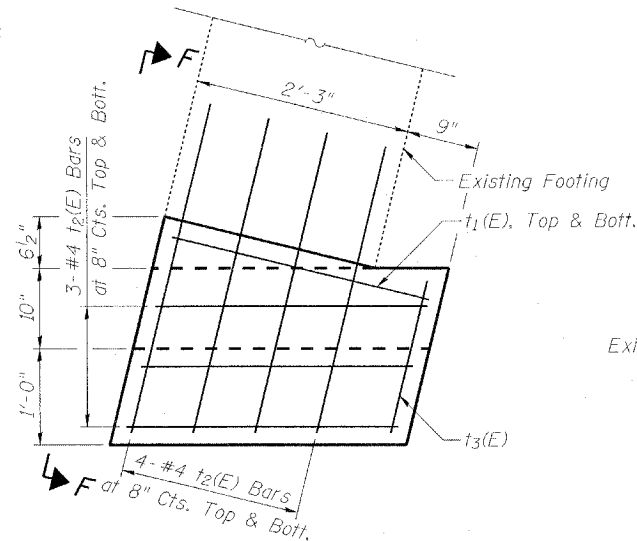
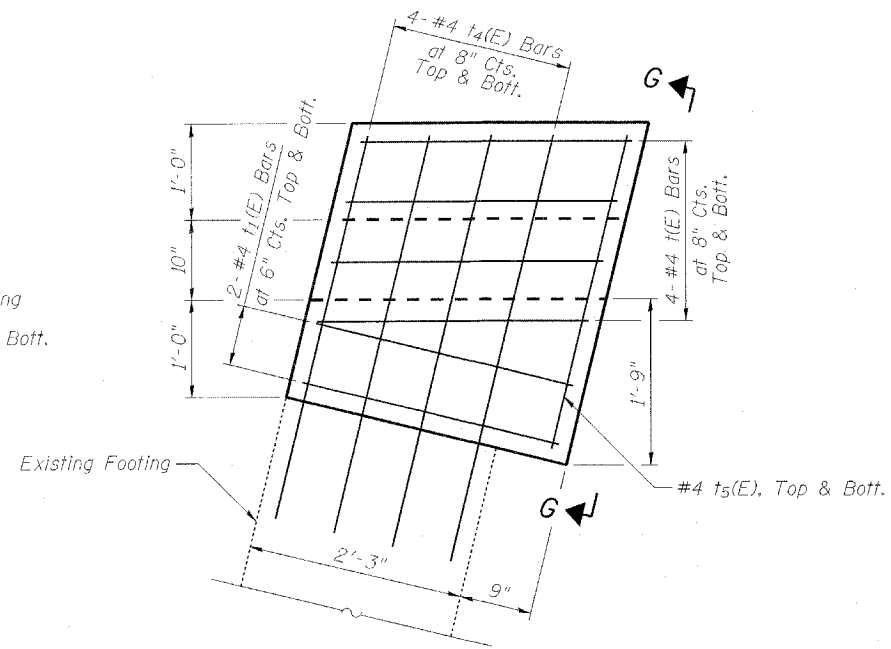


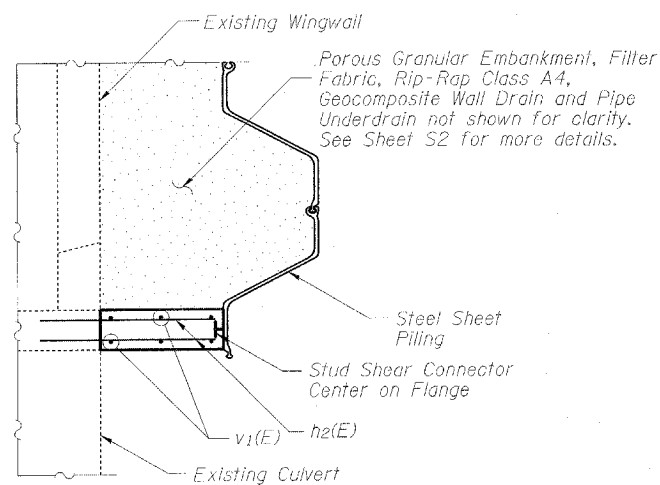
CULVERT WALL EXTENSION



NORTHEAST AND SOUTHWEST FOOTING PLAN

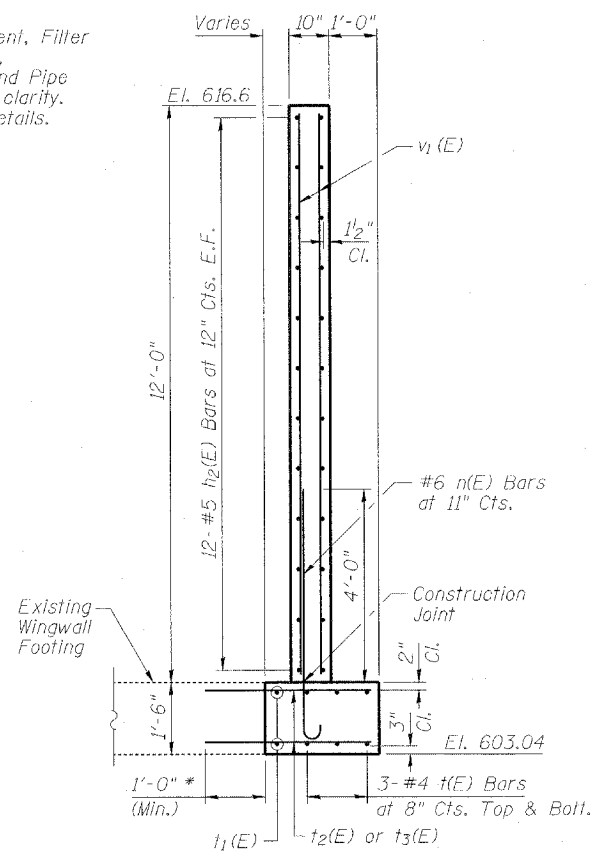


SOUTHEAST AND NORTHWEST FOOTING PLAN

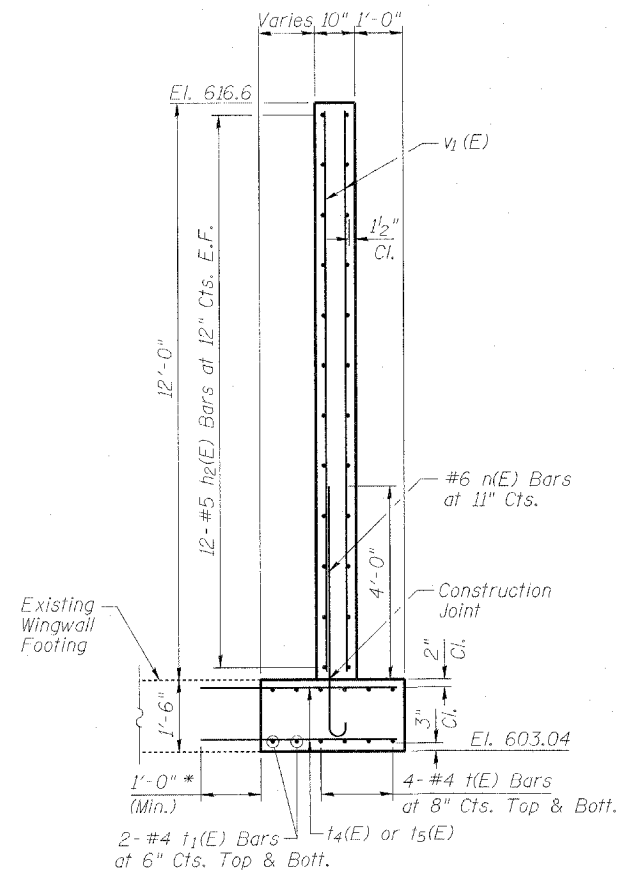


SECTION E-E

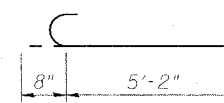
* Bars shall be drilled and grouted into the existing concrete according to Section 584 of the Standard Specifications. This work shall be included in the cost of Reinforcement Bars, Epoxy Coated. Contractor shall adjust spacing as required to miss existing reinforcement.



SECTION F-F



SECTION G-G



BILL OF MATERIAL

Bar	No.	Size	Length	Shape
h ₂ (E)	96	#5	3'-10"	—
n(E)	16	#6	5'-10"	C
t(E)	28	#4	2'-10"	—
t ₁ (E)	12	#4	2'-8"	—
t ₂ (E)	16	#4	3'-3"	—
t ₃ (E)	4	#4	1'-7"	—
t ₄ (E)	16	#4	3'-9"	—
t ₅ (E)	4	#4	3'-3"	—
v ₁ (E)	24	#5	11'-8"	—
Concrete Structures			Cu. Yd.	6.2
Reinforcement Bars, Epoxy Coated			Pound	840
Structure Excavation			Cu. Yd.	6.0
Protective Coat			Sq. Yd.	34

Notes:

Protective coat shall be applied to both side and top faces of the culvert extension wall.

Excavated soil shall be stored on-site and used to fill void from brace foundation removal. Cost shall be included in the item for Permanent Steel Sheet Piling.