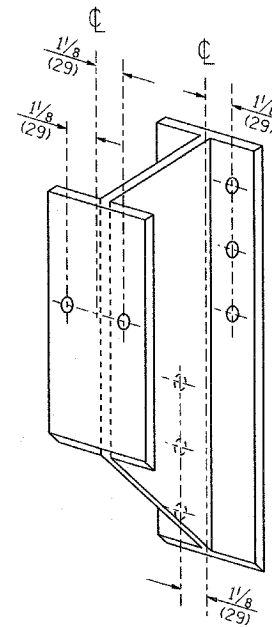
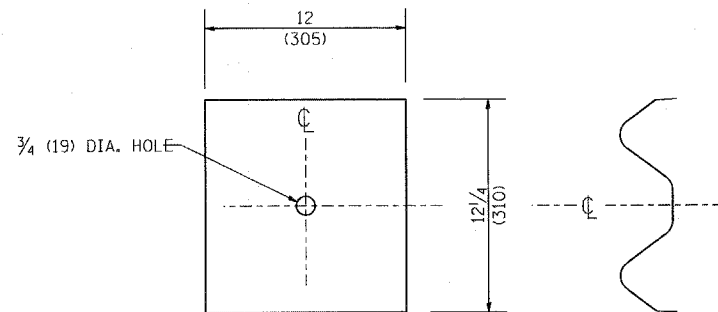


**STEEL POST CONSTRUCTION**



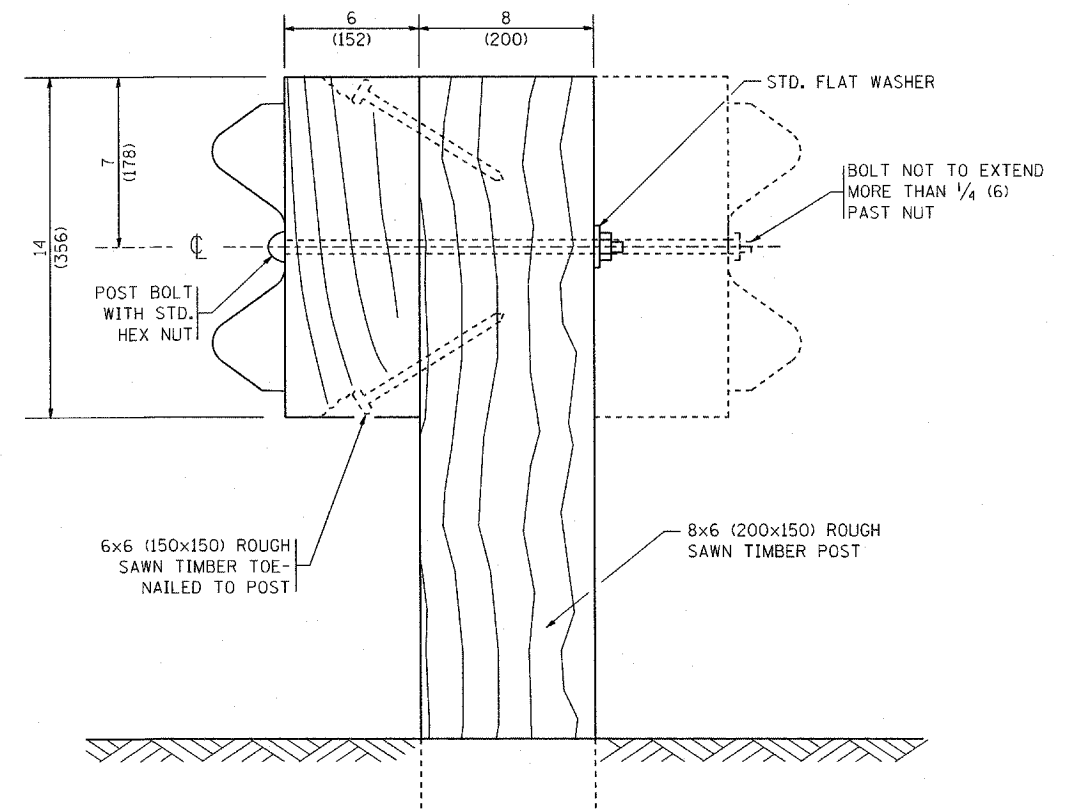
**STEEL BLOCK-OUT DETAIL**



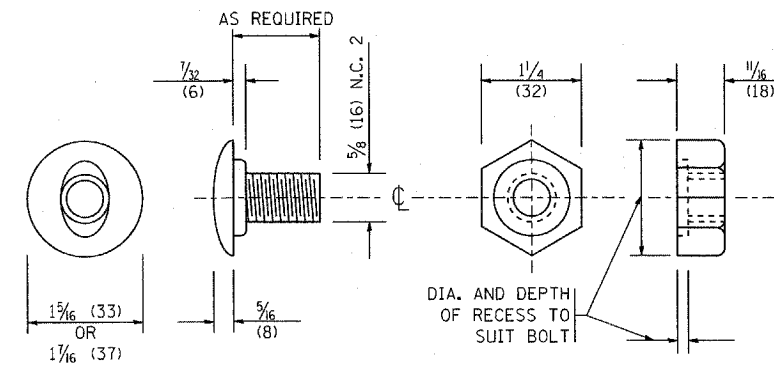
**NOTE:**

PLATE A SHALL BE PLACED BETWEEN RAIL ELEMENT AND BLOCK-OUT AT NON-SPLICE MOUNTING POINTS ONLY WHEN STEEL BLOCK-OUTS ARE USED.

**PLATE A**



**WOOD POST CONSTRUCTION**



**POST OR SPLICE BOLT & NUT**

FILE NAME = W:\diststd\22x34\bm21.dgn	USER NAME = geglianobt	DESIGNED -	REVISED - 10-31-06
		DRAWN -	REVISED -
	PLOT SCALE = 50.0000' / IN.	CHECKED -	REVISED -
	PLOT DATE = 1/4/2008	DATE -	REVISED -

**STATE OF ILLINOIS  
DEPARTMENT OF TRANSPORTATION**

**REMOVE AND REERECT  
STEEL PLATE BEAM GUARDRAIL**

SCALE: NONE SHEET NO. 2 OF 4 SHEETS STA. TO STA.

F.A.R. RTE. 332	SECTION 0312-708W-I	COUNTY Cook	TOTAL SHEETS 17	SHEET NO. 11
BM-21			CONTRACT NO. 60N81	
FED. ROAD DIST. NO. 1 [ILLINOIS] FED. AID PROJECT				