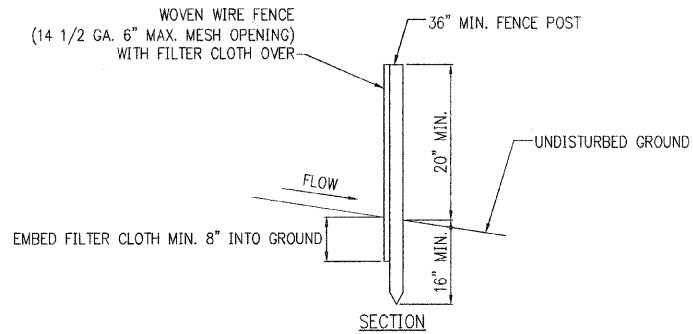
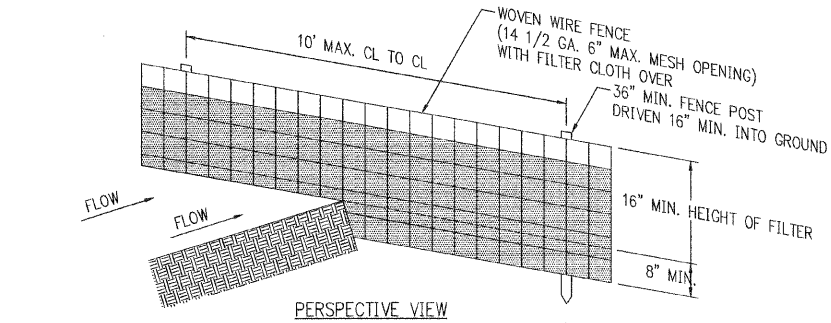


PLAN	REVIEWED	DATE
	BY	
	NOTED	
	PLotted	
	BY	
	DATE	
	NO. OF WAY CHECKED	
	CADD FILE NAME	
	NO.	

PROFILE	REVIEWED	DATE
	BY	
	NOTED	
	PLotted	
	BY	
	DATE	
	NO. OF WAY CHECKED	
	STRUCTURE NOTATIONS CRKD	
	NO.	

.....BURNS AND McDONNELL ENGINEERING COMPANY, INC.

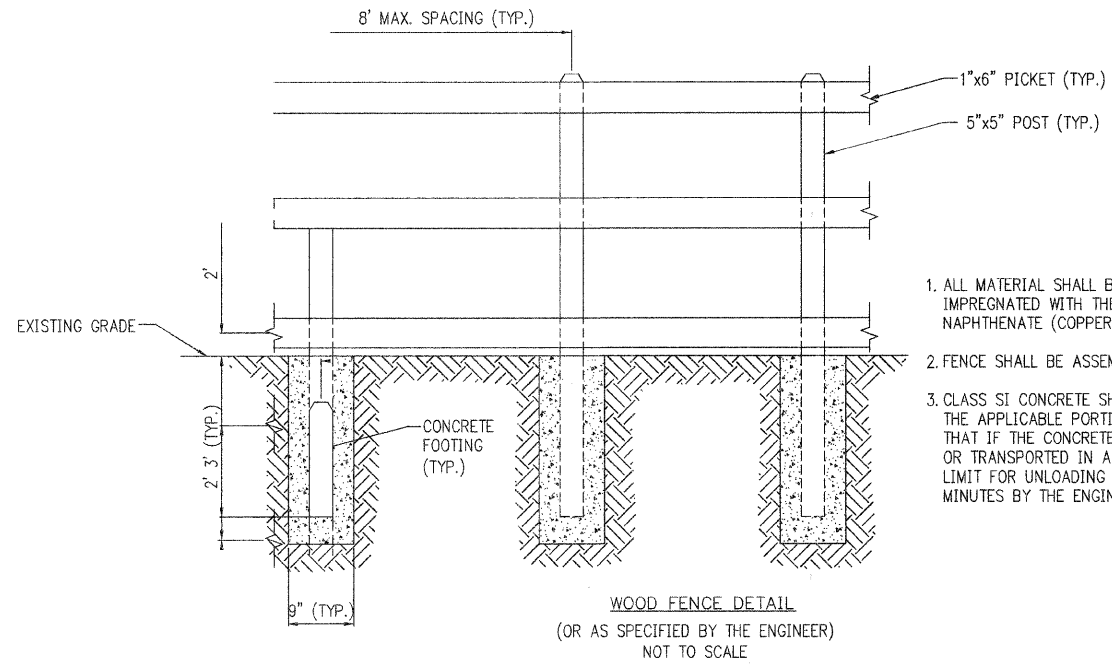


**SILT FENCE**  
N.T.S.

**CONSTRUCTION NOTES FOR FABRICATED SILT FENCE**

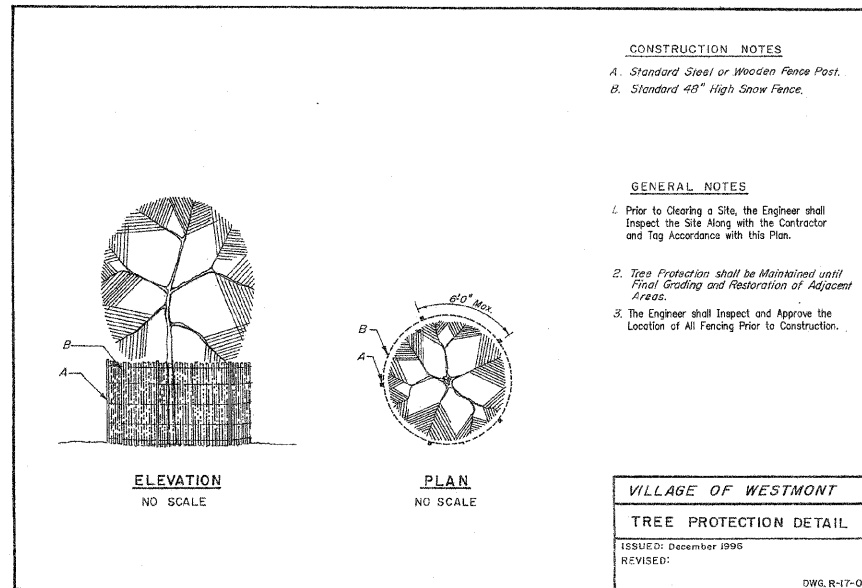
- WOVEN WIRE FENCE TO BE FASTENED SECURELY TO FENCE POSTS WITH WIRE TIES OR STAPLES.
- FILTER CLOTH TO BE FASTENED SECURELY TO WOVEN WIRE FENCE WITH TIES SPACED EVERY 24" AT TOP AND MID SECTION.
- WHEN TWO SECTIONS OF FILTER CLOTH ADJOIN EACH OTHER THEY SHALL BE OVER LAPPED BY 6" AND FOLDED.
- MAINTENANCE SHALL BE PERFORMED AS NEEDED AND MATERIAL REMOVED WHEN "BULGES" DEVELOP IN THE SILT FENCE.

POSTS: STEEL EITHER 'I' OR 'U' TYPE OR 2" HARDWOOD  
 FENCE: WOVEN WIRE 14 1/2 GA. 6" MAX. MESH OPENING  
 FILTER CLOTH: FILTER X, MIRAFL 100X OR STABLINKA T140N  
 PREFABRICATED UNIT: GOEFAB, ENVIROFENCE OR APPROVED EQUAL.



- ALL MATERIAL SHALL BE SOUTHERN YELLOW PINE IMPREGNATED WITH THE PRESERVATIVE, COPPER NAPHTHENATE (COPPERWOOD OR APPROVED EQUAL).
- FENCE SHALL BE ASSEMBLED BY FACE NAILING.
- CLASS SI CONCRETE SHALL BE USED CONFORMING TO THE APPLICABLE PORTIONS OF SECTION 1020, EXCEPT THAT IF THE CONCRETE IS MIXED IN TRANSIT MIXERS OR TRANSPORTED IN AGITATOR TRUCKS, THE TIME LIMIT FOR UNLOADING IT MAY BE EXTENDED TO 120 MINUTES BY THE ENGINEER.

**WOOD FENCE DETAIL**  
(OR AS SPECIFIED BY THE ENGINEER)  
NOT TO SCALE



**CONSTRUCTION NOTES**

- Standard Steel or Wooden Fence Post.
- Standard 48" High Snow Fence.

**GENERAL NOTES**

- Prior to Clearing a Site, the Engineer shall Inspect the Site Along with the Contractor and Tag According with this Plan.
- Tree Protection shall be Maintained until Final Grading and Restoration of Adjacent Areas.
- The Engineer shall Inspect and Approve the Location of All Fencing Prior to Construction.

**VILLAGE OF WESTMONT**

**TREE PROTECTION DETAIL**

ISSUED: December 1995  
 REVISED:

DWG. R-17-0

FILE NAME =	USER NAME =	DESIGNED -- MB	REVISED --
		DRAWN -- MB	REVISED --
	PLOT SCALE =	CHECKED -- AJB	REVISED --
	PLOT DATE =	DATE -- 10/29/2008	REVISED --

**STATE OF ILLINOIS**  
**DEPARTMENT OF TRANSPORTATION**

SCALE:

F.A.U. RTE.	SECTION	COUNTY	TOTAL SHEETS	SHEET NO.
--	08-00098-00-SW	DUPAGE	22	15
SIDEWALK PROJECT			CONTRACT NO. 63132	
FED. ROAD DIST. NO. 1 ILLINOIS FED. AID PROJECT				