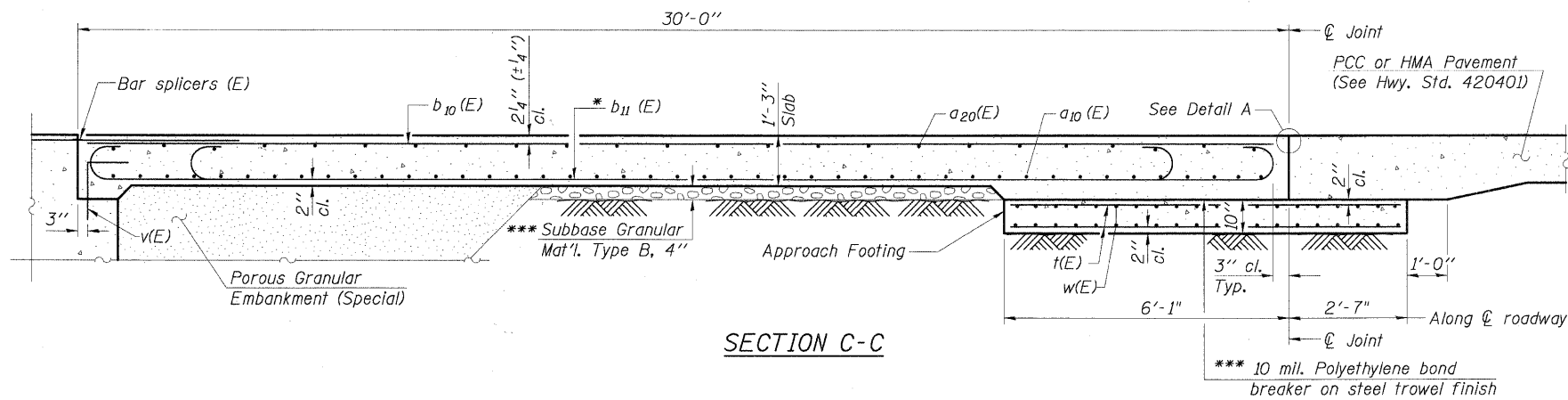
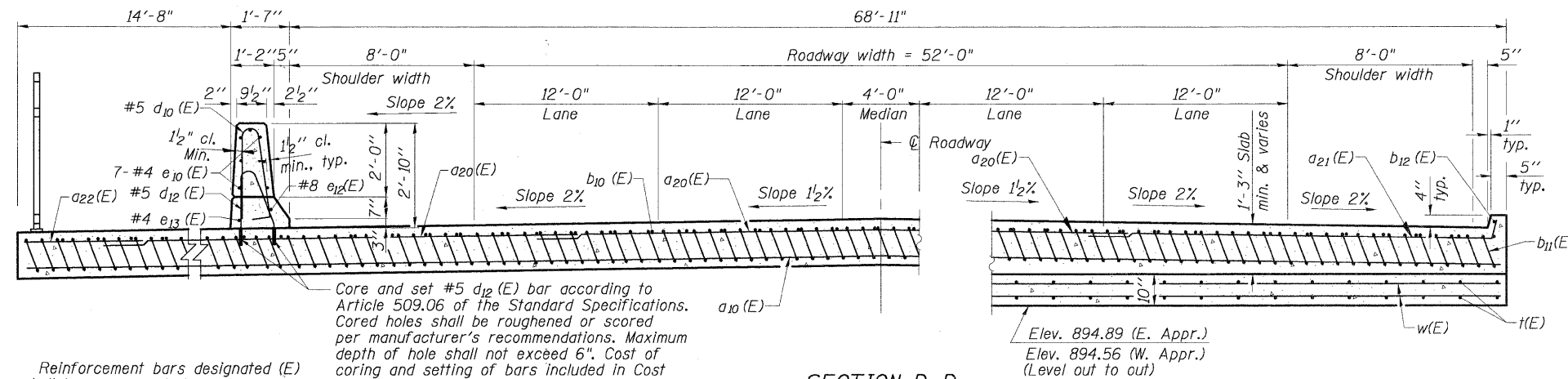


Notes:

See sheet S-18 for Detail A and View B-B.  
 Approach slab and parapet concrete shall be paid for as Concrete Superstructure.  
 Approach footing concrete shall be paid for as Concrete Structures.  
 Reinforcement shall be paid for as Reinforcement Bars, Epoxy Coated.  
 For v(E) bar details, see sheet S-10 and S-11.  
 The approach footing maximum applied service bearing pressure ( $Q_{max}$ ) = 2.0 ksf.  
 For bar splicer details, see sheet S-17.  
 Cost of excavation for approach footing included with Concrete Structures.  
 For Porous Granular Embankment (Special) and drainage treatment details, see sheet S-20 of S-21.  
 For additional parapet details, see sheet S-18.



SECTION C-C



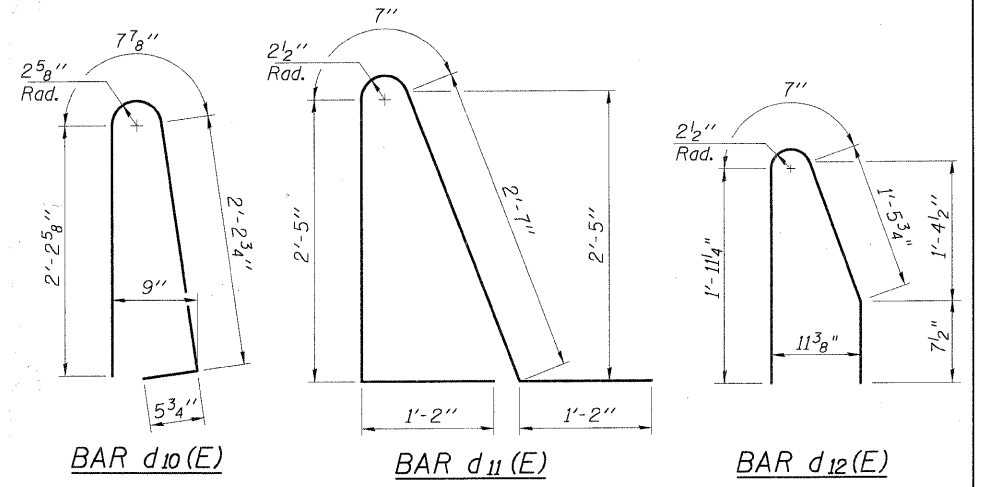
SECTION D-D

AT APPROACH FOOTING

Reinforcement bars designated (E) shall be epoxy coated.  
 Reinforcement bars shall not pass thru aluminum sheets and cork joint filler.

NEAR ABUTMENT

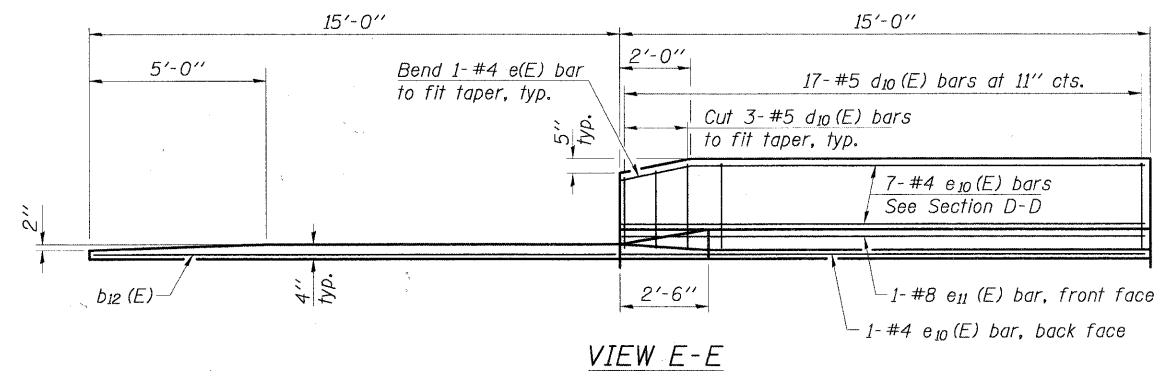
(See Plan for dimensions not shown)



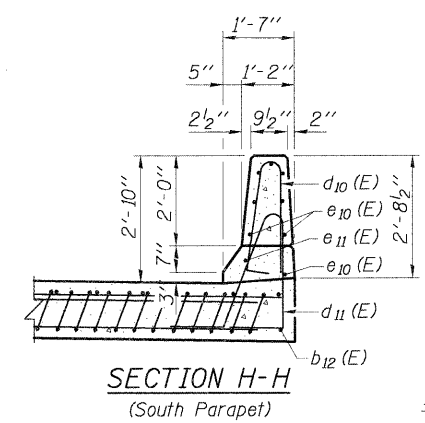
\* Tilt #9 b1(E) bars as required to maintain clearance.  
 \*\*\* Cost included with Concrete Superstructure.

TWO APPROACHES  
 BILL OF MATERIAL

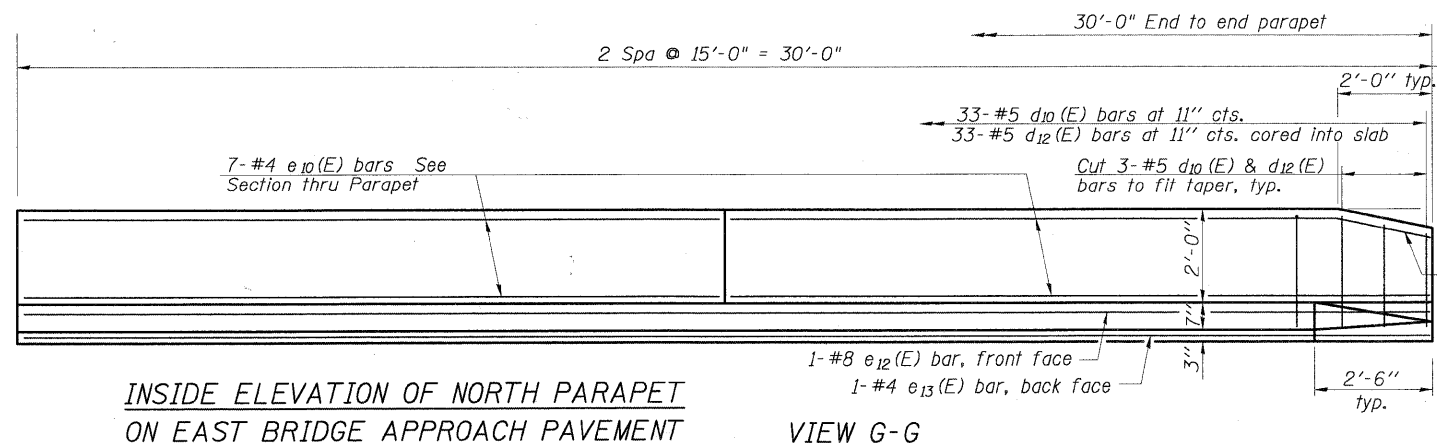
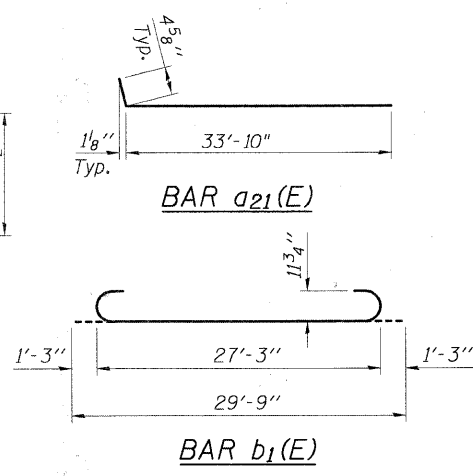
Bar	No.	Size	Length	Shape
a10(E)	368	#5	26'-0"	—
a20(E)	100	#4	33'-10"	—
a21(E)	50	#4	34'-3"	—
a22(E)	72	#6	6'-6"	—
b10(E)	138	#4	29'-8"	—
b11(E)	408	#9	29'-9"	—
b12(E)	4	#4	14'-8"	—
d10(E)	100	#5	5'-7"	—
d11(E)	34	#5	7'-11"	—
d12(E)	66	#5	4'-8"	—
e10(E)	44	#4	14'-8"	—
e11(E)	2	#8	14'-8"	—
e12(E)	2	#8	29'-8"	—
e13(E)	2	#4	29'-8"	—
t(E)	344	#4	8'-4"	—
w(E)	240	#5	33'-9"	—
Concrete Superstructure			Cu. Yd.	276.3
Concrete Structures			Cu. Yd.	45.9
Reinforcement Bars, Epoxy Coated			Pound	70,360



VIEW E-E



SECTION H-H  
 (South Parapet)



VIEW G-G

INSIDE ELEVATION OF NORTH PARAPET  
 ON EAST BRIDGE APPROACH PAVEMENT

F.A.S. 0130 - BIG TIMBER ROAD  
 OVER TYLER AND PINGREE CREEK  
 SECTION 01-00266-00-BR  
 KANE COUNTY, ILLINOIS  
 STA. 135+80.00  
 STRUCTURE NO. 045-3323

CHRISTOPHER B. BURKE ENGINEERING, LTD.  
 9575 W. Higgins Road, Suite 600  
 Rosemont, Illinois 60018  
 (847) 923-0500