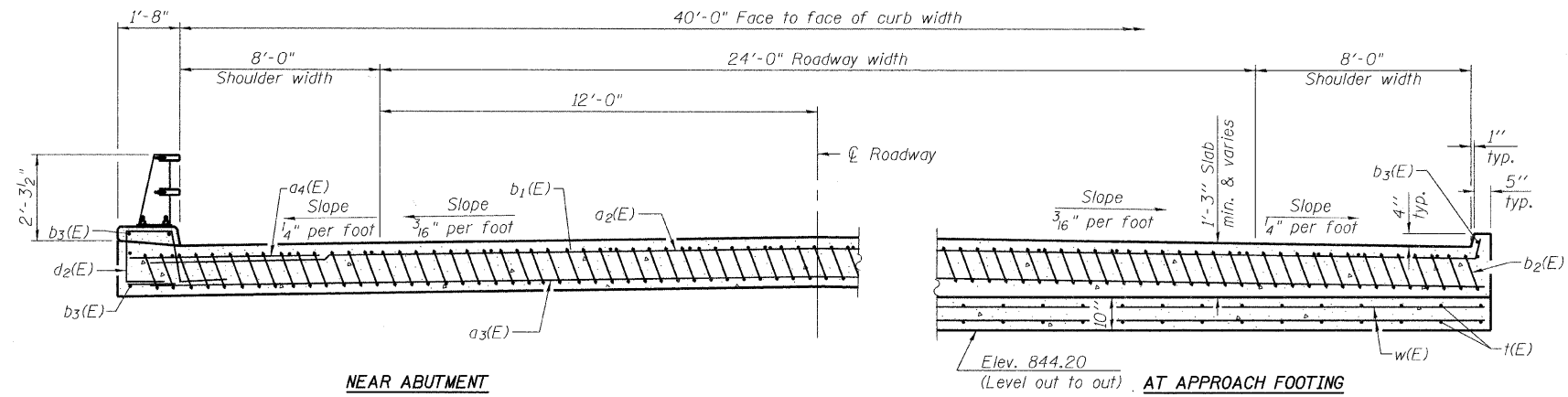
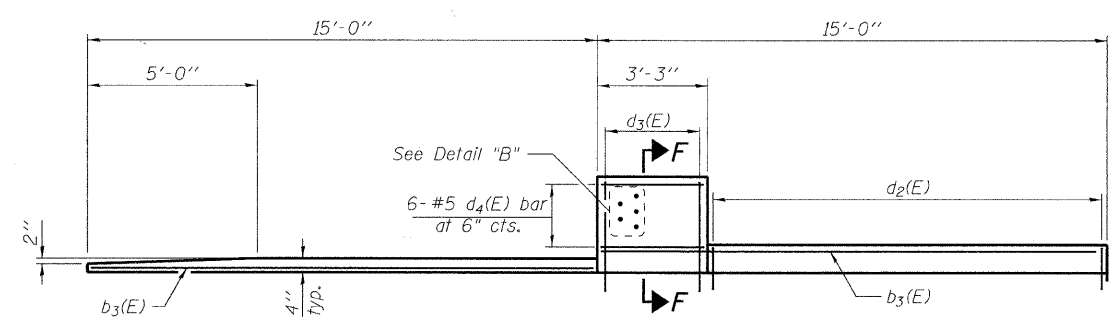


SECTION C-C

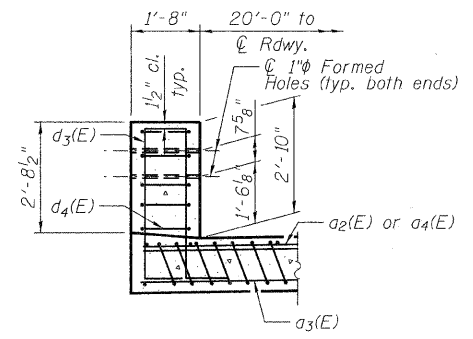


SECTION D-D
(See Plan for dimensions not shown)

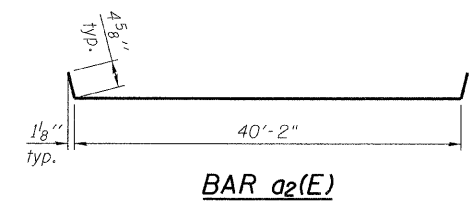
* Tilt #9 b₂(E) bars as required to maintain clearance.
** Cost included with Concrete Superstructure.



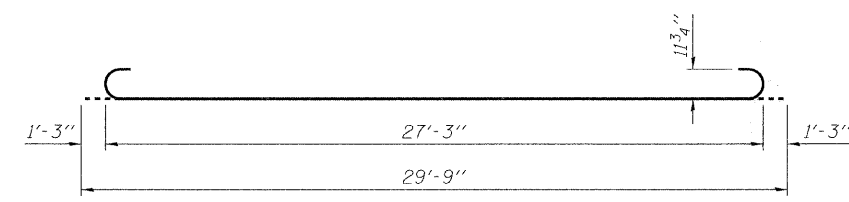
VIEW E-E



SECTION F-F

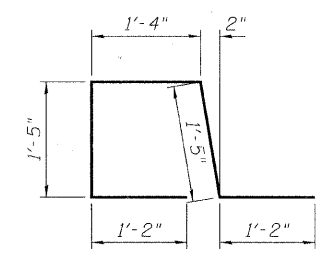


BAR a₂(E)

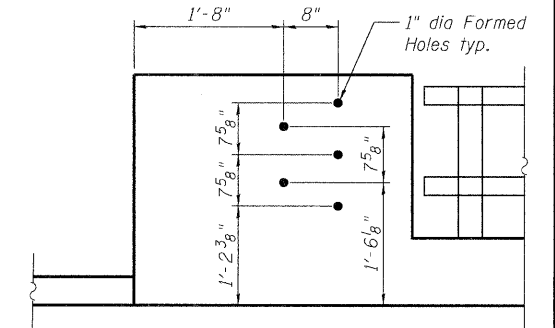


BAR b₂(E)

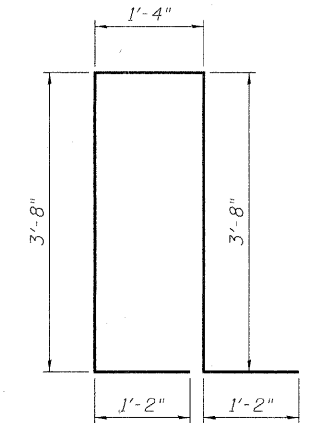
- Notes:
1. See sheet S-7 for Detail A and View B-B.
 2. Approach slab and parapet concrete shall be paid for as Concrete Superstructure.
 3. Approach footing concrete shall be paid for as Concrete Structures.
 4. Reinforcement shall be paid for as Reinforcement Bars, Epoxy Coated.
 5. For v₁(E) bar details, see sheet S-14.
 6. The approach footing maximum applied service bearing pressure (Q_{max}) = 2.0 ksf.
 7. Cost of excavation for approach footing included with Concrete Structures.
 8. For Porous Granular Embankment (Special) and drainage treatment details, see sheet S-2.
 9. For additional curb details, see sheet S-6.



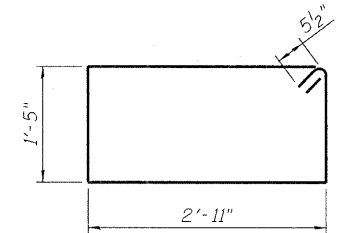
BAR d₂(E)



DETAIL "B"



BAR d₃(E)



BAR d₄(E)

**TWO APPROACHES
BILL OF MATERIAL**

Bar	No.	Size	Length	Shape
a ₂ (E)	50	#4	40'-11"	—
a ₃ (E)	92	#5	40'-8"	—
a ₄ (E)	48	#6	6'-6"	—
b ₁ (E)	66	#4	29'-8"	—
b ₂ (E)	198	#9	29'-9"	—
b ₃ (E)	16	#4	14'-8"	—
d ₂ (E)	52	#5	6'-6"	□
d ₃ (E)	28	#5	11'-0"	□
d ₄ (E)	24	#5	9'-7"	□
t(E)	168	#4	9'-8"	—
w(E)	80	#5	40'-8"	—
Concrete Superstructure		Cu. Yd.	124.8	
Bridge Deck Grooving		Sq. Yd.	252	
Concrete Structures		Cu. Yd.	25.4	
Protective Coat		Sq. Yd.	297	
Reinforcement Bars, Epoxy Coated		Pound	32,630	

m:\p\01\3381\02\design\Structural\CAD\3381_02_08 Approach Details 2.dgn

FILE NAME = 3381_02_08 Approach Details 2.dgn
Clorba Group, Inc.
 CONSULTING ENGINEERS
 5501 West Campbell Avenue
 Suite 100, Chicago, Illinois 60638
 Tel: 773.772.8000
 Fax: 773.772.8014
 Email: clorba@clorba.com

USER NAME = espino	DESIGNED - AMK	REVISED -
PLLOT SCALE =	CHECKED - BWS	REVISED -
PLLOT DATE = 2/4/2011	DRAWN - RD	REVISED -
	CHECKED - BWS	REVISED -

MCHENRY COUNTY DIVISION OF TRANSPORTATION

**BRIDGE APPROACH SLAB DETAILS 2
STRUCTURE NO. 056-3180**
SHEET NO. S-8 OF S-18 SHEETS

F.A. RTE.	SECTION	COUNTY	TOTAL SHEETS	SHEET NO.
	07-00340-00-BR	MCHENRY	46	25
			CONTRACT NO. 63552	
ILLINOIS FED. AID PROJECT				