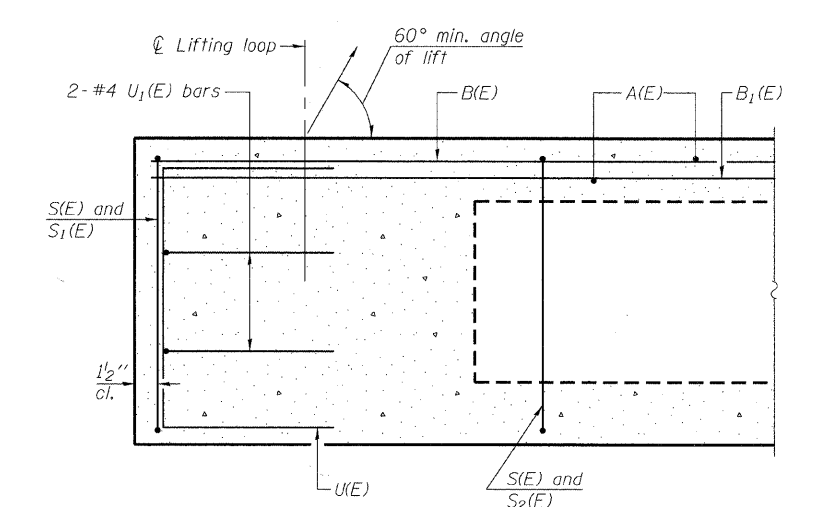
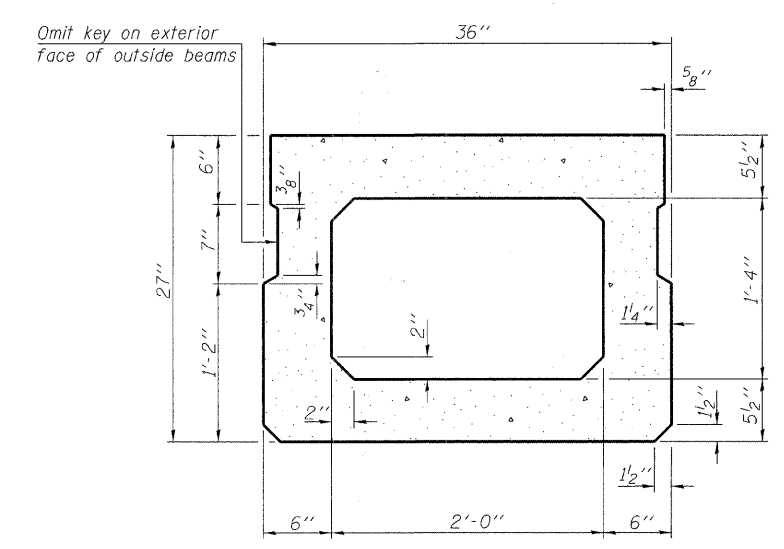


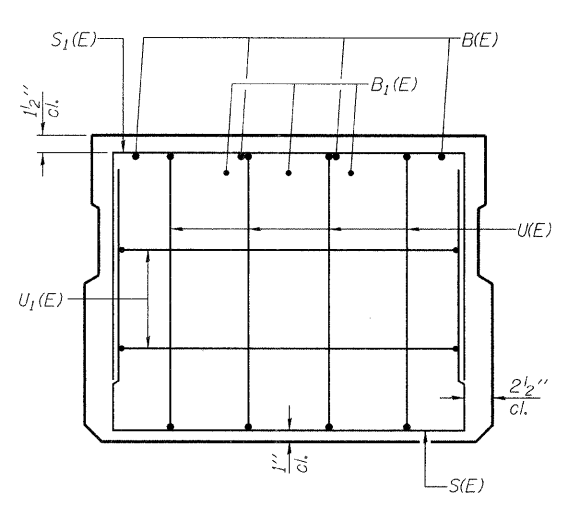
FILE NAME = 3381.02 10 Deck Beam 27x36 Details 1.dgn



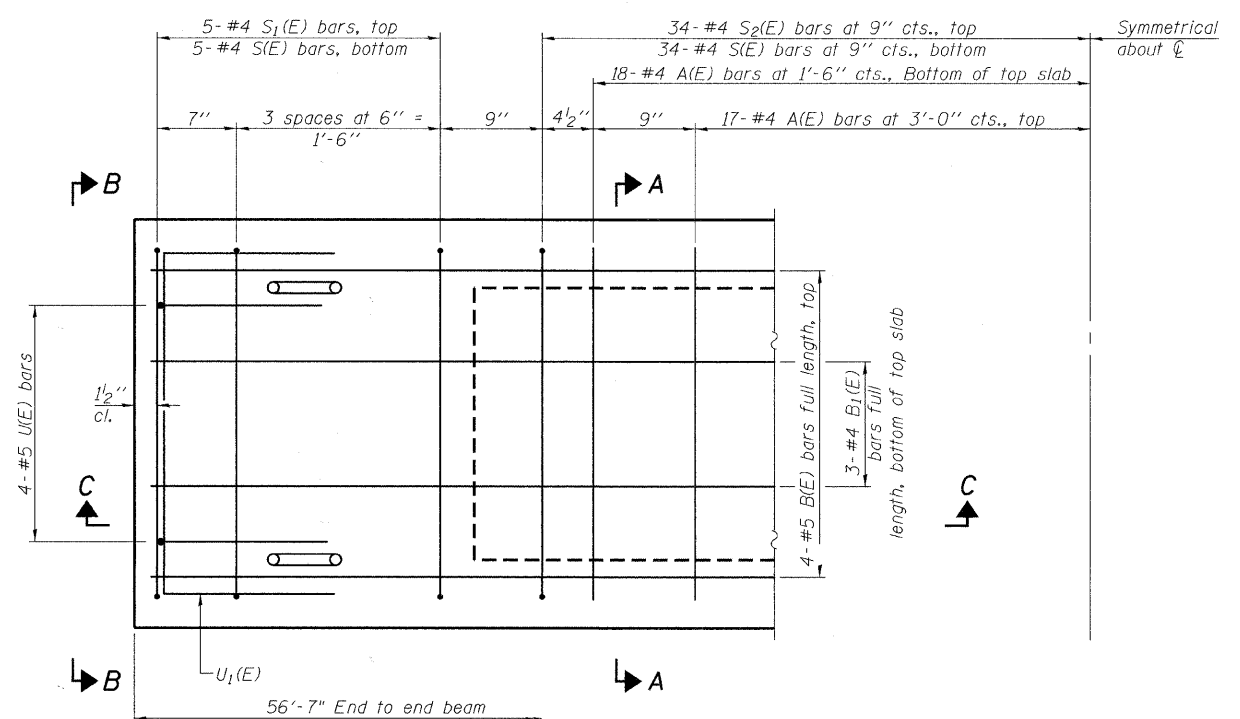
SECTION C-C



SECTION A-A
(Showing dimensions)

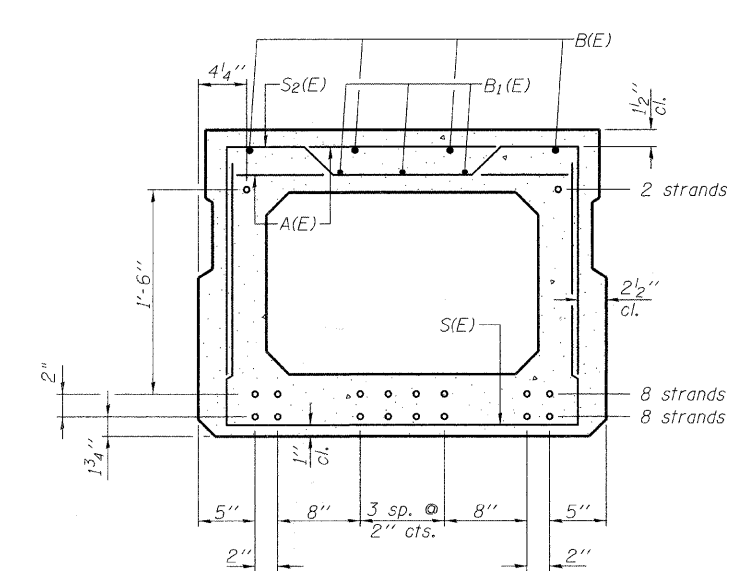


VIEW B-B



PLAN VIEW

Note: Spacing of S(E) and S2(E) bars may be adjusted up to 4' in the immediate area of the transverse tie diaphragms to miss the block outs for the transverse ties.



SECTION A-A
(Showing reinforcement and permissible strand locations)
Note: Place the number of strands specified in each row symmetrically about the centerline of beam in the permissible strand locations shown.

BAR LIST
ONE BEAM ONLY
(For information only)

Bar	No.	Size	Length	Shape
A(E)	70	#4	2'-7"	—
B(E)	4	#5	56'-4"	—
B1(E)	3	#4	56'-4"	—
S(E)	78	#4	6'-5"	U
S1(E)	10	#4	5'-11"	U
S2(E)	68	#4	6'-2"	U
U(E)	8	#5	4'-6"	C
U1(E)	4	#4	5'-0"	C

Note: See sheet S-11 of S-18 for additional details and Bill of Material.

MINIMUM BAR LAP
#4 bar = 2'-0"
#5 bar = 2'-6"



USER NAME = espino	DESIGNED - AMK	REVISED -
PLLOT SCALE =	CHECKED - BWS	REVISED -
PLLOT DATE = 2/4/2011	DRAWN - RD	REVISED -
	CHECKED - BWS	REVISED -

MCHENRY COUNTY DIVISION OF TRANSPORTATION

27"x36" PPC DECK BEAMS DETAILS 1
STRUCTURE NO. 056-3180

SHEET NO. S-10 OF S-18 SHEETS

F.A. RTE.	SECTION	COUNTY	TOTAL SHEETS	SHEET NO.
	07-00340-00-BR	MCHENRY	46	27
			CONTRACT NO. 63552	
ILLINOIS FED. AID PROJECT				