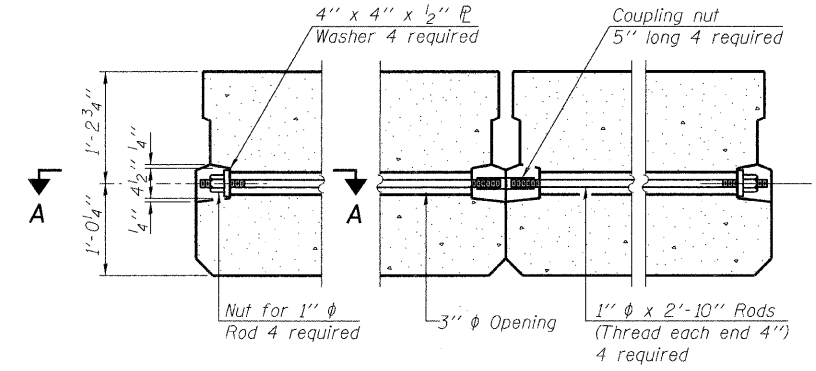
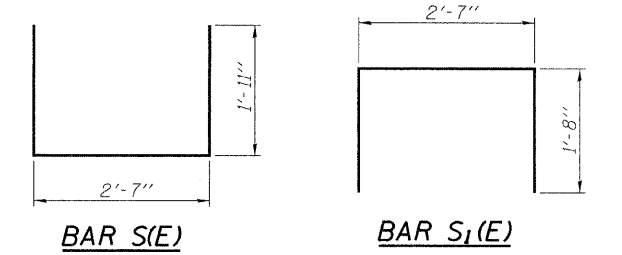


SECTION A-A

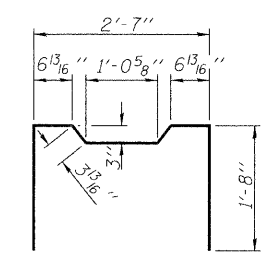


TYPICAL TRANSVERSE TIE ASSEMBLY

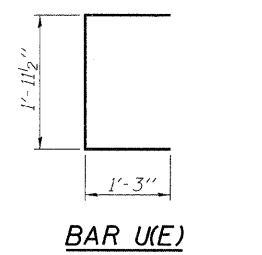


BAR S(E)

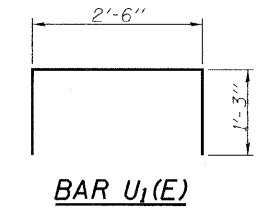
BAR S1(E)



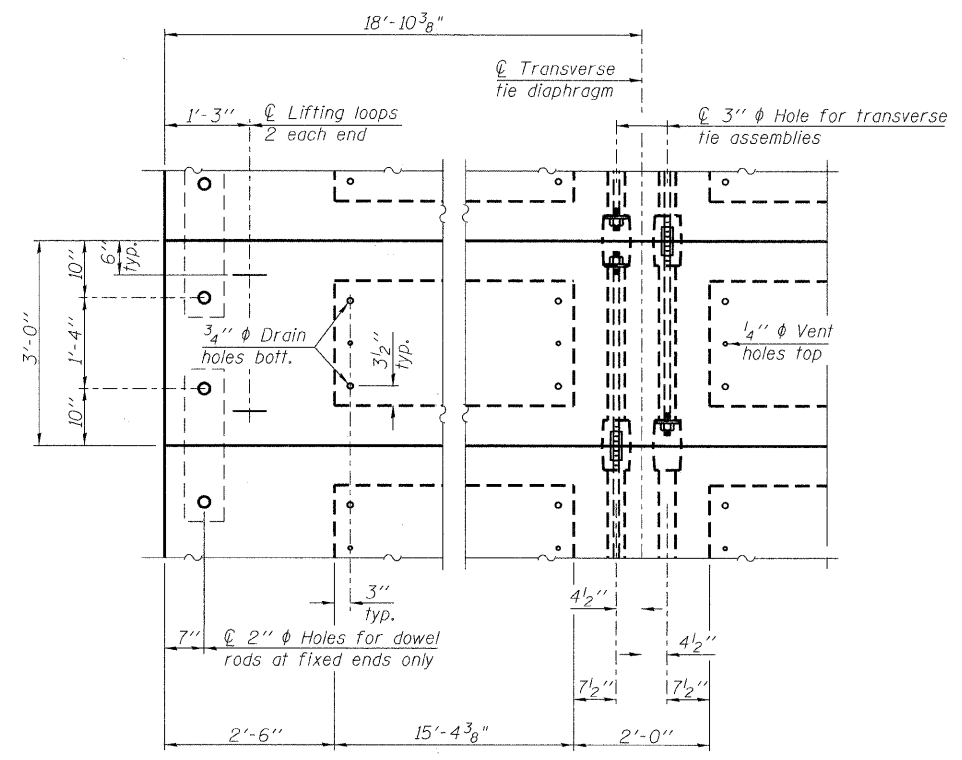
BAR S2(E)



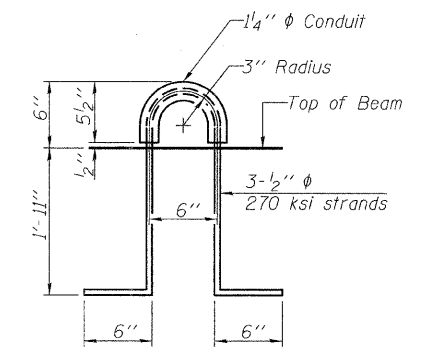
BAR U(E)



BAR U1(E)



PLAN VIEW



LIFTING LOOP DETAIL

NOTES

- Prestressing steel shall be uncoated high strength, low relaxation 7-wire strand, Grade 270. The nominal diameter shall be 1/2" and the nominal cross-sectional area shall be 0.153 sq. in.
- The 1" rods in the transverse tie assembly shall be tightened to a snug fit and the threads set. Pockets on exterior faces of bridge shall be filled with grout after transverse tie assembly is in place.
- Reinforcement bars shall conform to ASTM A 706, Grade 60. (See Special Provisions).
- Two 1/8" fabric adjusting shims of the dimensions of the exterior bearing pad shall be provided for each bearing pad location.
- A minimum 2 1/2" lifting pin shall be used to engage the lifting loops during handling.
- Corrosion Inhibitor, per Article 1020.05(b)(12) and 1021.06 of the Standard Specifications, shall be used in the concrete for precast prestressed concrete deck beams.
- Compressive strength of prestressed concrete, f'c, shall be 6000 psi.
- Compressive strength of prestressed concrete at release, f'ci, shall be 5000 psi.

Note: Connect beams in pairs with the transverse tie configuration shown.

BILL OF MATERIAL

Precast Prestressed Conc. Deck Bms. (27" depth)	Sq. Ft.	170
---	---------	-----

FILE NAME = 3381.02 11 Deck Beam 27x36 Details 2.dgn

<p>Clorba Group, Inc. CONSULTING ENGINEERS 5017 North Cumberland Avenue Suite #13 Chicago, Illinois 60630 Tel: 773.775.8014 Email: clorba@clorba.com</p>	USER NAME = espino	DESIGNED - AMK	REVISED -	MCHENRY COUNTY DIVISION OF TRANSPORTATION	27"x36" PPC DECK BEAM DETAILS 2 STRUCTURE NO. 056-3180	F.A. RTE.	SECTION	COUNTY	TOTAL SHEETS	SHEET NO.
	PLOT SCALE =	CHECKED - BWS	REVISED -			07-00340-00-BR	MCHENRY	46	28	
PLOT DATE = 2/4/2011	DRAWN - RD	REVISED -		SHEET NO. S-11 OF S-18 SHEETS		CONTRACT NO. 63552				
	CHECKED - BWS	REVISED -				ILLINOIS FED. AID PROJECT				