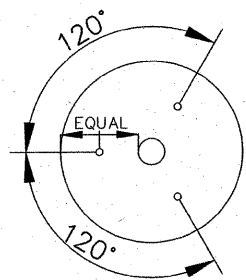
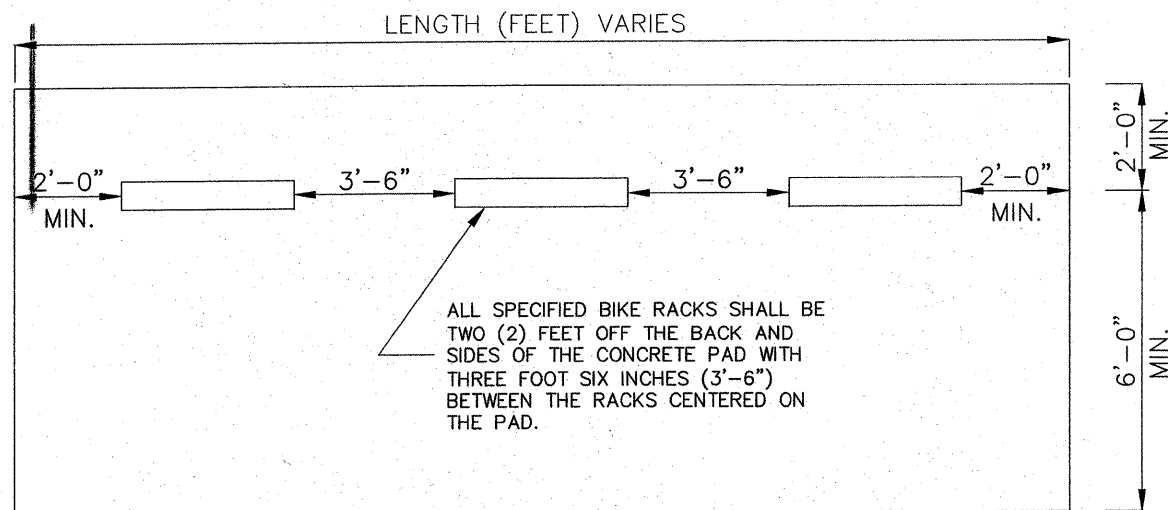
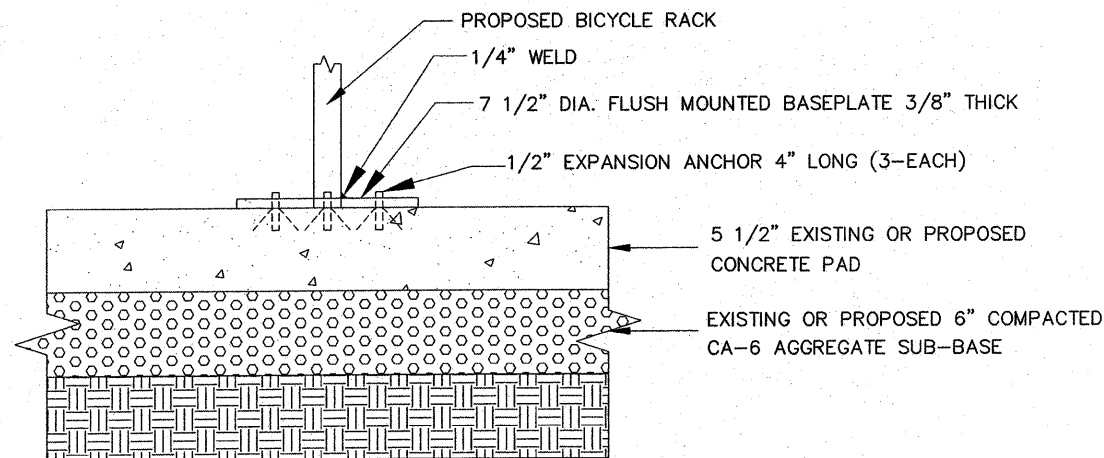


**CITY OF BERWYN – BICYCLE RACK DETAILS**



NOTE: COST OF THE BASE COVER AND EXPANSION ANCHORS SHALL BE INCLUDED IN THE COST OF THE SPECIFIED BICYCLE RACK.

NOTE: COST OF THE AGGREGATE SUB-BASE SHALL BE INCLUDED IN THE COST OF THE CONCRETE PAD WHERE APPLICABLE.

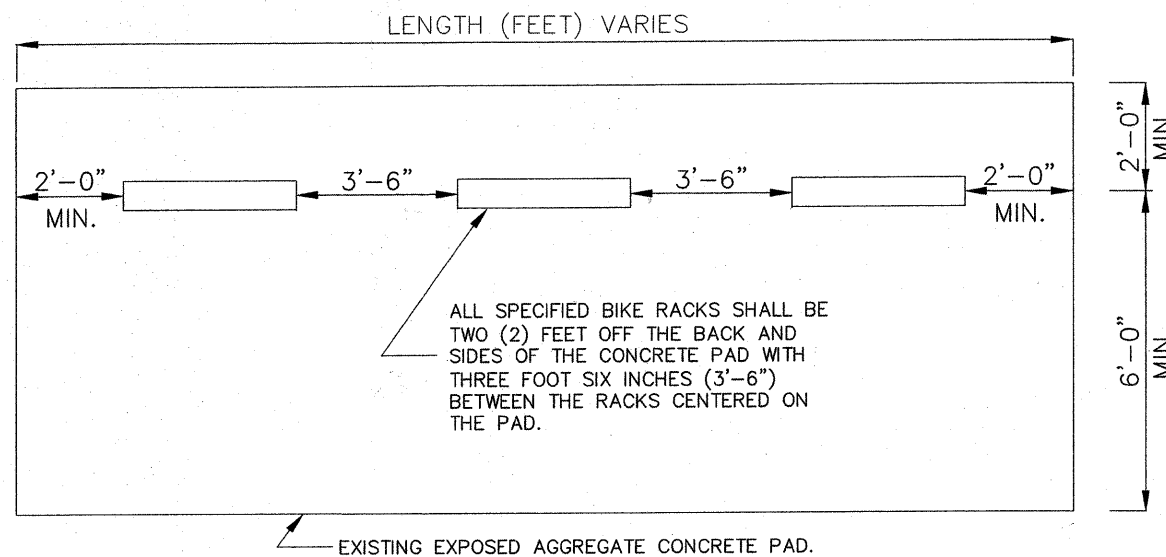
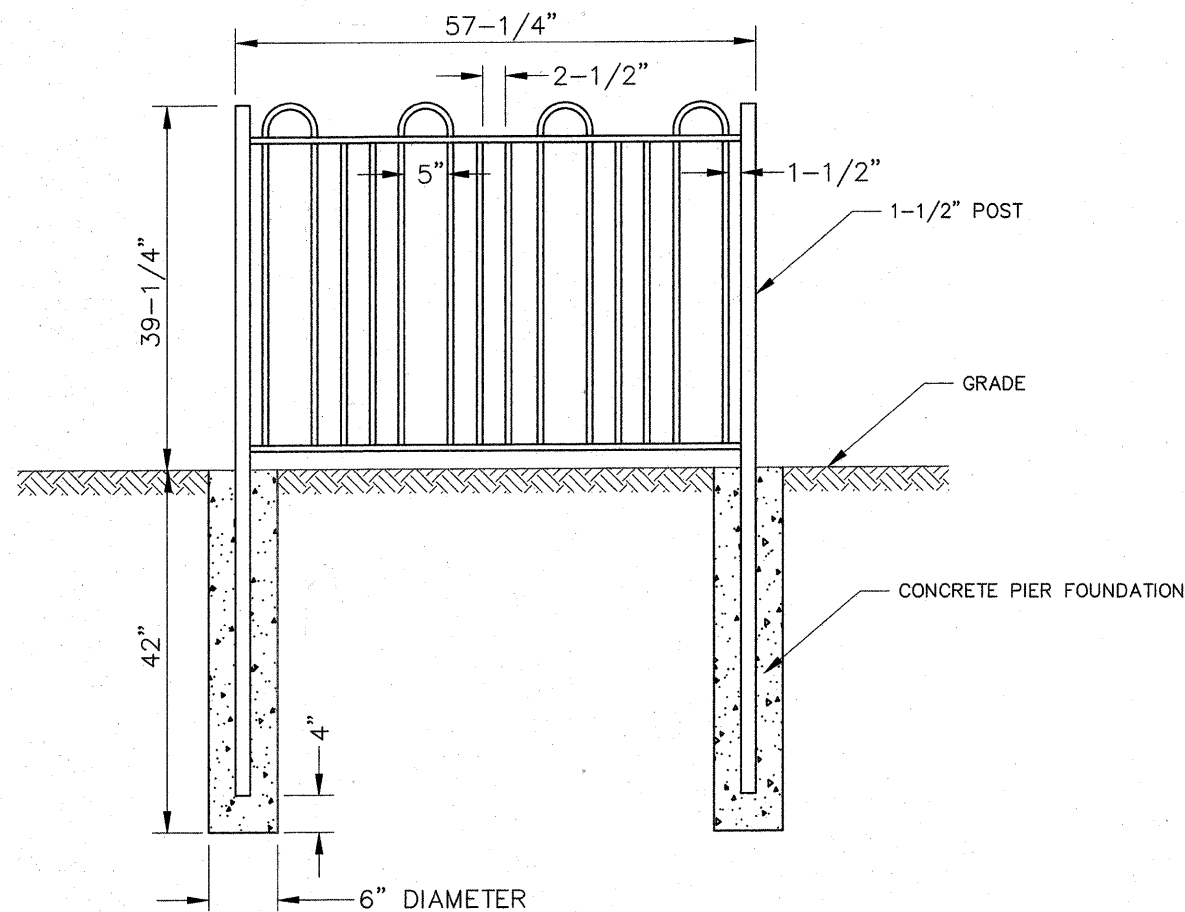


ALL SPECIFIED BIKE RACKS SHALL BE TWO (2) FEET OFF THE BACK AND SIDES OF THE CONCRETE PAD WITH THREE FOOT SIX INCHES (3'-6") BETWEEN THE RACKS CENTERED ON THE PAD.

EXISTING CONCRETE PADS EXCEPT FOR LOCATION (12).

| TYPE | DRAWING | APPROXIMATE LENGTH | BICYCLE CAPACITY |
|------|---------|--------------------|------------------|
| 1    |         | 2'-3"              | 2                |
| 2    |         | 3'-3"              | 5                |
| 3    |         | 11'-3"             | 13               |

**VILLAGE OF RIVERSIDE – BICYCLE RACKS TYPE 4 DETAIL**



ALL SPECIFIED BIKE RACKS SHALL BE TWO (2) FEET OFF THE BACK AND SIDES OF THE CONCRETE PAD WITH THREE FOOT SIX INCHES (3'-6") BETWEEN THE RACKS CENTERED ON THE PAD.

EXISTING EXPOSED AGGREGATE CONCRETE PAD.

FILE NAME = CMAQ BIKE RACKS VARIOUS LOCATIONS  
CITY OF BERWYN/VILLAGE OF RIVERSIDE

USER NAME =  
PLOT SCALE =  
PLOT DATE =

DESIGNED -- JEF  
DRAWN -- JFP  
CHECKED -- TPG  
DATE -- 11/10

REVISED -- JEF 12/02/10  
REVISED -- JEF 1/06/11  
REVISED --  
REVISED --

STATE OF ILLINOIS  
DEPARTMENT OF TRANSPORTATION

BICYCLE RACK DETAILS

SCALE: NONE SHEET NO. OF SHEETS STA. TO STA.

**Frank Novotny & Associates, Inc.**  
Civil Engineers  
Municipal Consultants  
825 Midway Drive • Willowbrook, IL • 60177 • Telephone: (630) 887-8840 • Fax: (630) 887-0132  
ILLINOIS PROFESSIONAL DESIGN FIRM NO. 184-04828

|                     |                |                           |              |           |
|---------------------|----------------|---------------------------|--------------|-----------|
| F.A. RTE.           | SECTION        | COUNTY                    | TOTAL SHEETS | SHEET NO. |
|                     | 10-00169-00-MS | COOK                      | 4            | 4         |
| CONTRACT NO. 63555  |                |                           |              |           |
| FED. ROAD DIST. NO. |                | ILLINOIS FED. AID PROJECT |              |           |