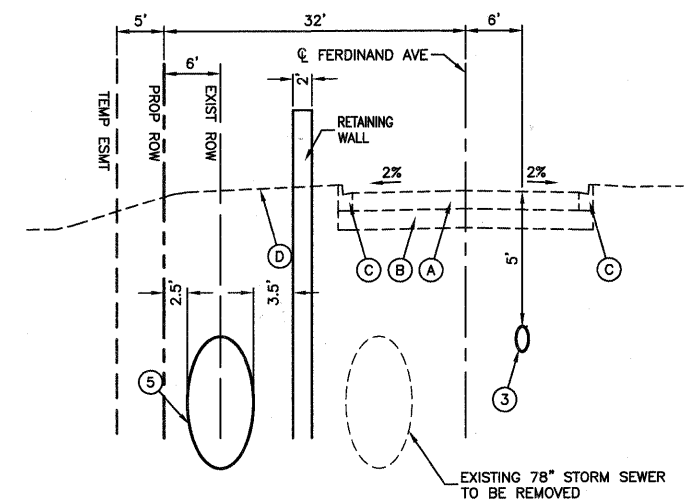
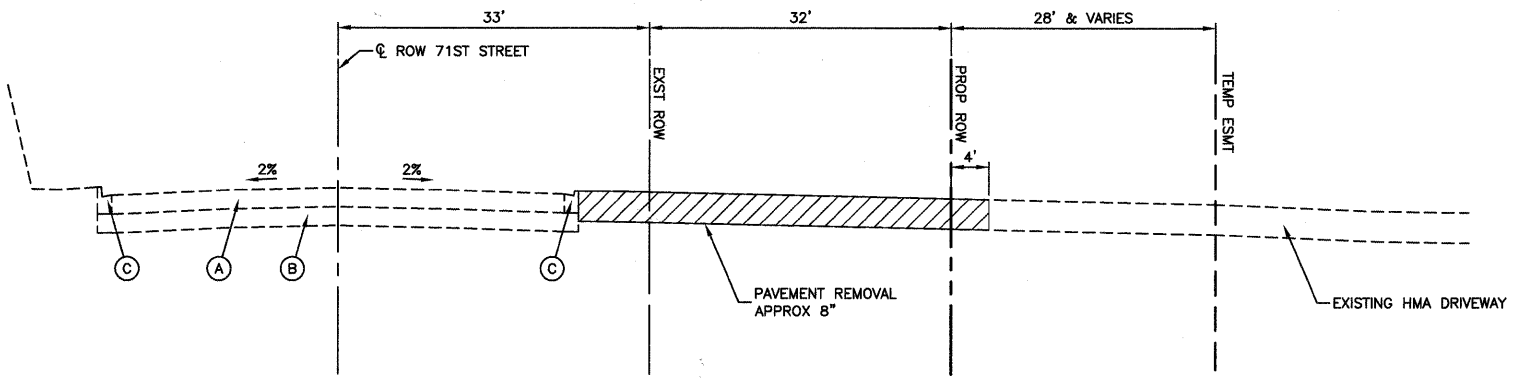


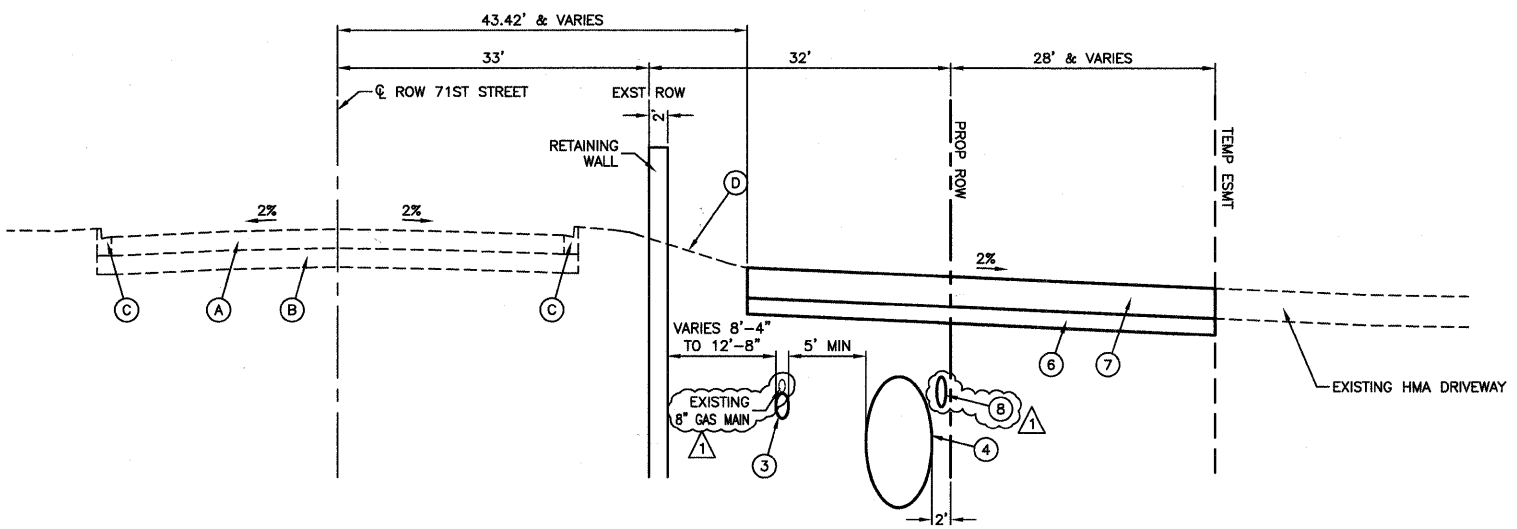
**PROPOSED TYPICAL SECTION**  
 71ST STREET AT CSX / IHB RAILROAD CROSSING (LOOKING EAST)  
 STA 23+06.6 TO STA 23+72.6



**PROPOSED TYPICAL SECTION**  
 FERDINAND AVENUE  
 LOOKING NORTH  
 STA 57+39 TO STA 59+50



**EXISTING TYPICAL SECTION**  
 71ST STREET  
 STA 16+00 TO 25+25



**PROPOSED TYPICAL SECTION**  
 71ST STREET  
 STA 16+00 TO 23+06.6  
 AND  
 STA 23+72.6 TO 29+50

- LEGEND**
- (A) EXISTING PAVEMENT (±10" CONCRETE - 71ST STREET ; HMA FERDINAND)
  - (B) GRAVEL OR CRUSHED STONE BASE
  - (C) COMBINATION CURB & GUTTER
  - (D) EXISTING GROUND LINE
  - (1) PROPOSED STORM SEWER, JACKED IN PLACE, 84"
  - (2) PROPOSED 30" STEEL SLEEVES - AUGURED AND DUCTILE IRON PIPE CLASS 52, 16"
  - (3) PROPOSED DUCTILE IRON PIPE CLASS 52 WITH POLYETHYLENE ENCASEMENT WITH OR WITHOUT NITRILE GASKET
  - (4) PROPOSED STORM SEWER, CLASS A, TYPE 2, 84"
  - (5) PROPOSED STORM SEWER, CLASS A, TYPE 2, 78"
  - (6) PROPOSED SUB-BASE GRANULAR MATERIAL, TYPE B, 4"
  - (7) PROPOSED HOT-MIX ASPHALT PAVEMENT (FULL DEPTH), 12"
  - (8) PROPOSED STEEL CASING PIPE 16" (BORED AND JACKED)

FILE NAME = 09353-TYPX-01 - P01	USER NAME =	DESIGNED - PKB	REVISED - REL - 01-14-11	<b>STATE OF ILLINOIS DEPARTMENT OF TRANSPORTATION</b>	71ST STREET			F.A.U. RTE.	SECTION	COUNTY	TOTAL SHEETS	SHEET NO.
	PLOT SCALE =	CHECKED - PKB	REVISED - 4-14-11 ADDENDUM 1		TYPICAL SECTIONS			1537	06-00050-00-GS	COOK	209	10
PLOT DATE = 12/23/10	DRAWN - RLW	CHECKED - AG	REVISED -	SCALE: NONE SHEET NO. 10 OF 209 SHEETS STA. TO STA.			CONTRACT NO. 63556					
							FED. ROAD DIST. NO. 1 ILLINOIS FED. AID PROJECT CRE-9003(709)					