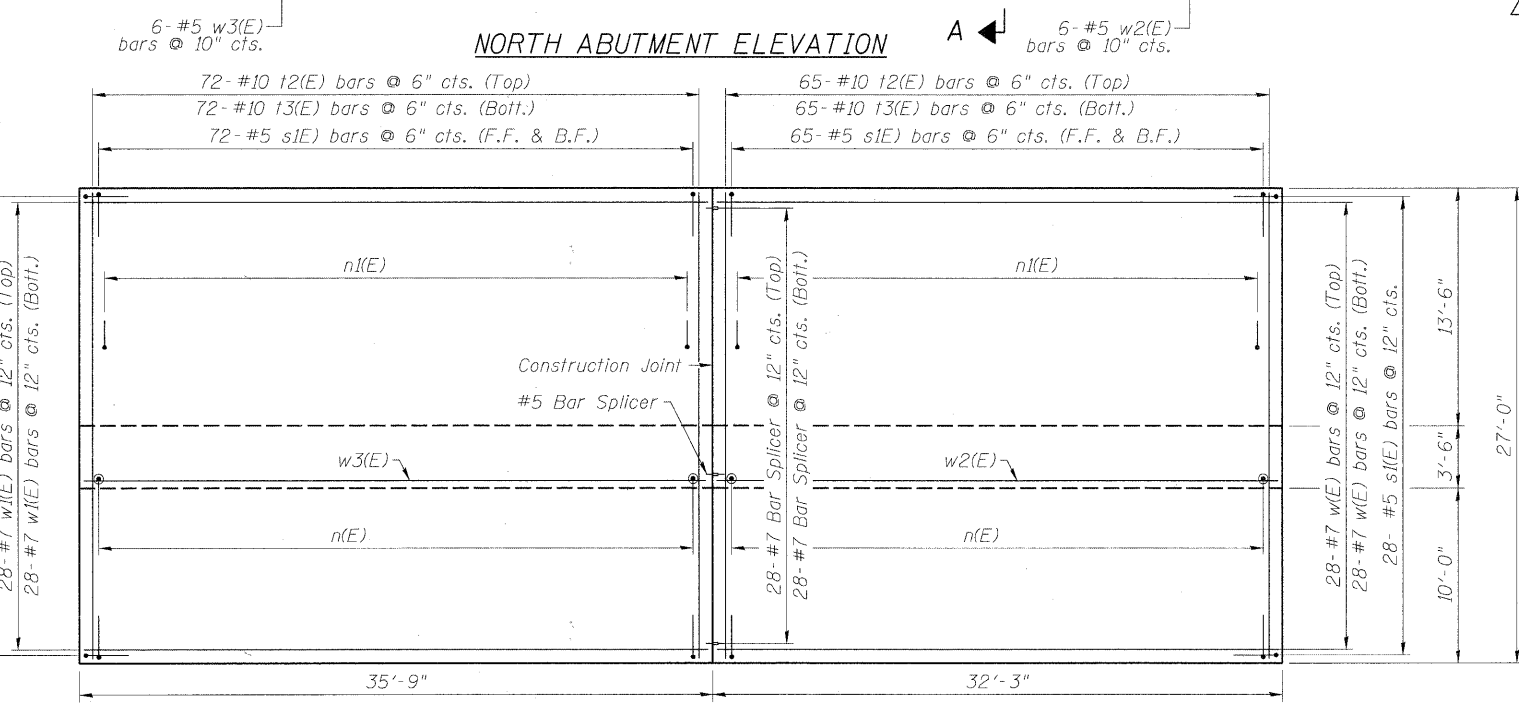
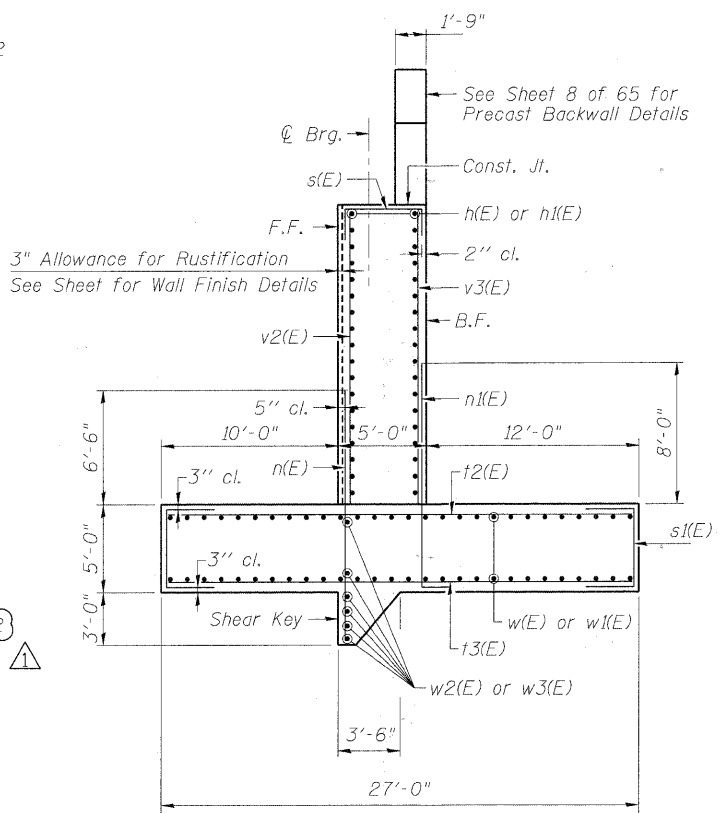
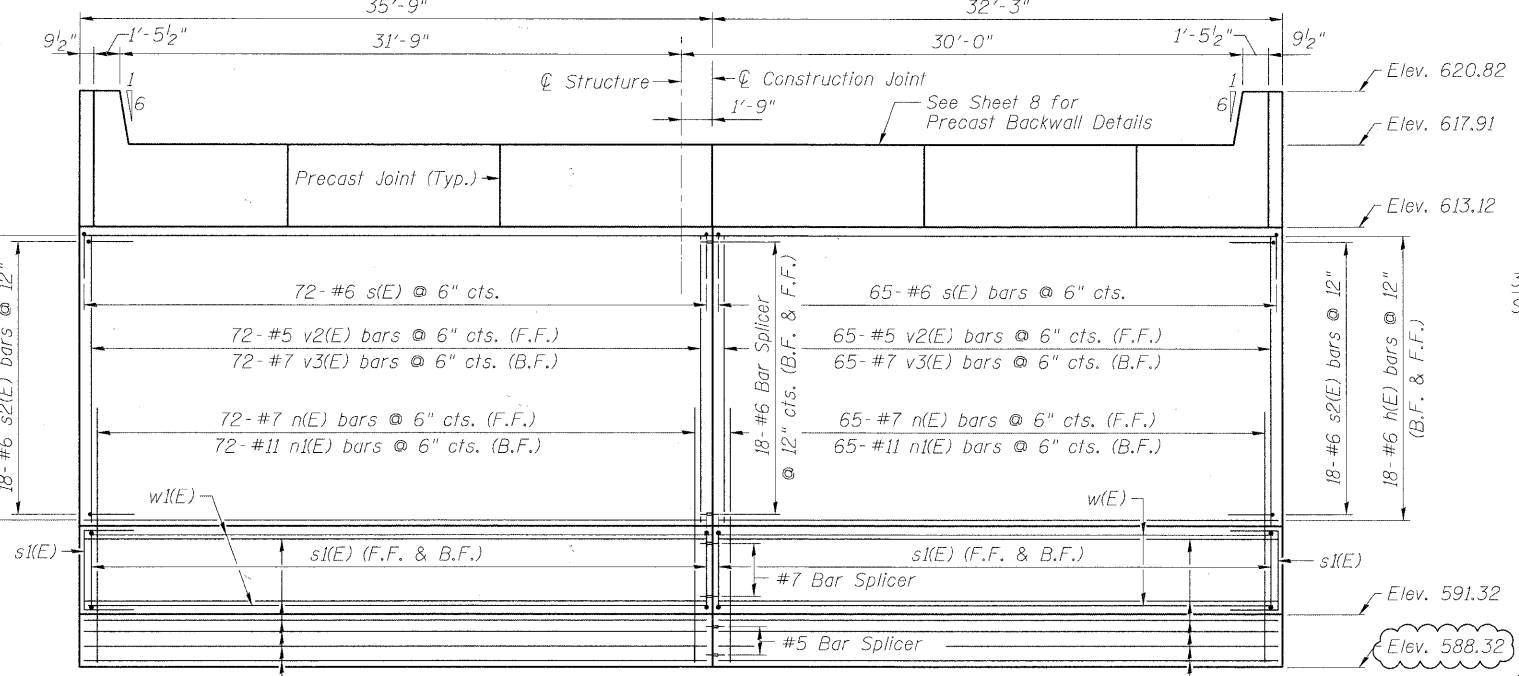
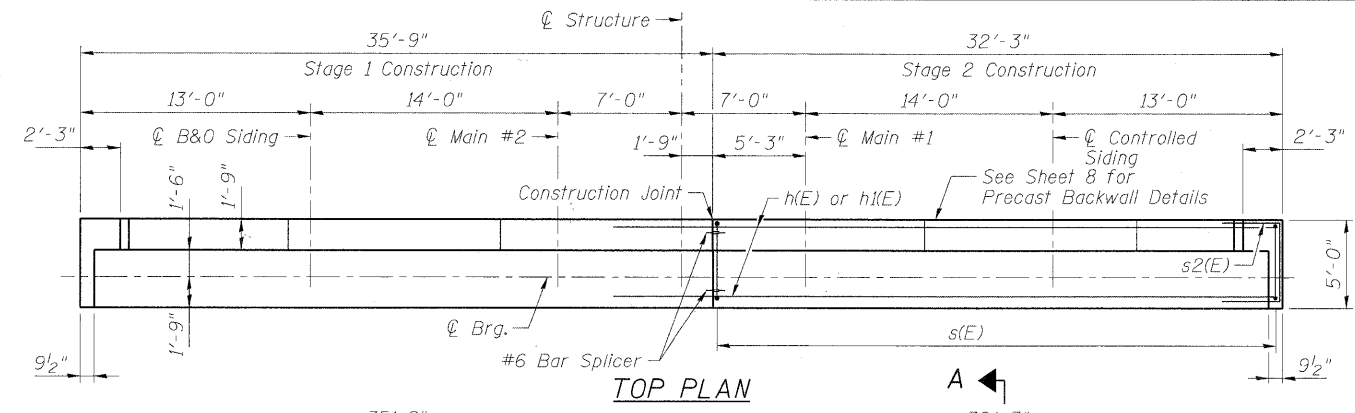
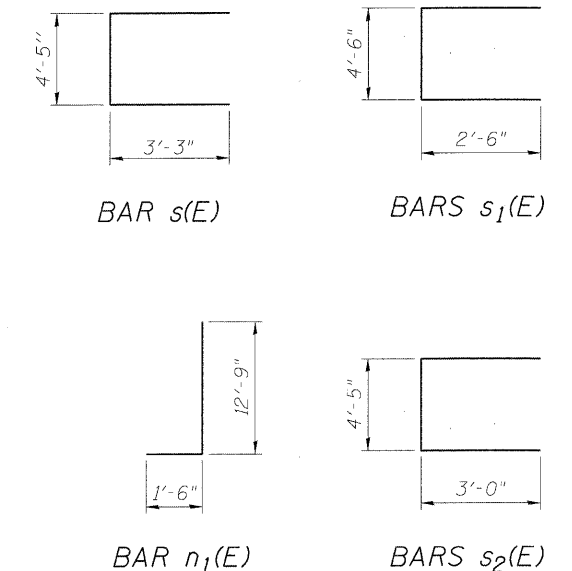


**BILL OF MATERIAL**

Bar	No.	Size	Length	Shape
h(E)	36	#6	32'-0"	—
h <sub>1</sub> (E)	36	#6	35'-6"	—
n(E)	137	#7	14'-3"	—
n <sub>1</sub> (E)	137	#11	14'-3"	—
s(E)	137	#6	10'-11"	—
s <sub>1</sub> (E)	330	#5	9'-6"	—
s <sub>2</sub> (E)	36	#6	10'-5"	—
t <sub>2</sub> (E)	137	#10	26'-6"	—
t <sub>3</sub> (E)	137	#10	26'-6"	—
v <sub>2</sub> (E)	137	#5	16'-8"	—
v <sub>3</sub> (E)	137	#7	16'-8"	—
w(E)	56	#7	32'-0"	—
w <sub>1</sub> (E)	56	#7	35'-6"	—
w <sub>2</sub> (E)	6	#5	32'-0"	—
w <sub>3</sub> (E)	6	#5	35'-6"	—
Structure Excavation		Cu. Yd.	727.9	
Concrete Structures		Cu. Yd.	579.6	
Reinforcement Bars, Epoxy Coated		Pound	76,000	
Geocomposite Wall Drain		Sq. Yd.	167	
Bar Splicers		Each	98	

For details of Bar Splicers, See Sheet 9 of 61



Notes:  
 F.F. = Front Face  
 B.F. = Back Face  
 Bott. = Bottom

**NOTE:**

- Contractor to submit revised reinforcement plans for review if staging requirements require revised reinforcement. Minimum development lengths as listed in sheet 2 of 65 shall be provided.
- Work this sheet with Sheet 8 of 65.

FILE NAME = P:\AS0156977\020\_CAD\021\_Drawing\Sheet\Structure\016-7721\001\_sht-07\_N-Abutment-Design.dwg