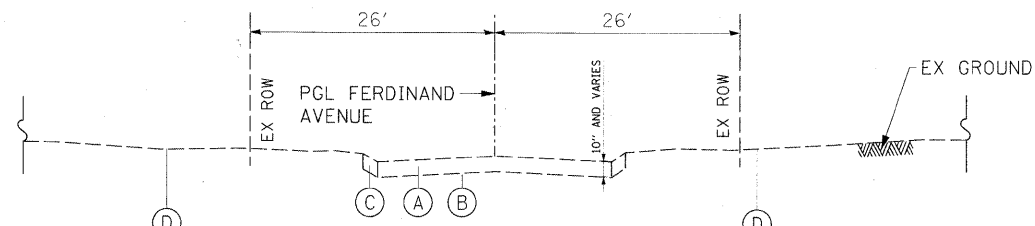


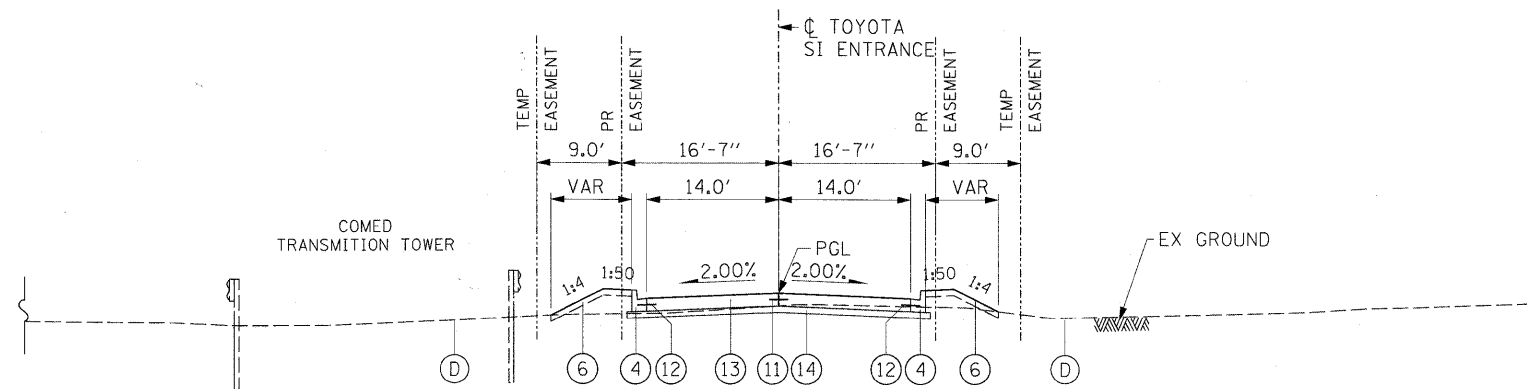
PROPOSED FERDINAND AVENUE

STA 58+65.00 TO STA 59+06.28
 STA 59+06.28 TO STA 59+23.74
 STA 59+23.74 TO STA 59+76.00
 **RW SN 016-7725 FROM STA 58+65.00 TO STA 59+62.97
 ***RW SN 016-7726 FROM STA 58+65.00 TO STA 59+65.00



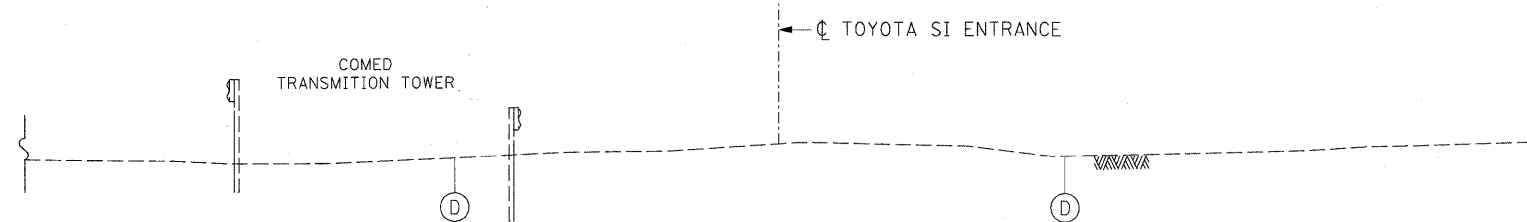
EXISTING FERDINAND AVENUE

STA 58+65.00 TO STA 59+06.28
 STA 59+06.28 TO STA 59+23.74
 STA 59+23.74 TO STA 59+76.00



PROPOSED TOYOTA SI ENTRANCE

STA 50+24.00 (71ST ST EOP) TO STA 50+79.72
 STA 50+79.72 TO STA 51+00.00
 STA 51+00.00 TO STA 54+01.98



EXISTING TOYOTA SI ENTRANCE

STA 50+24.00 (71ST ST EOP) TO STA 54+01.98

PROPOSED LEGEND:

- ① PORTLAND CEMENT CONCRETE PAVEMENT 10" (JOINTED) - (15' JOINT SPACING)
- ② STABILIZED SUBBASE - HOT-MIX ASPHALT, 4 1/2"
- ③ AGGREGATE SUBGRADE 12"
- ④ COMBINATION CURB AND GUTTER TYPE B-6.12
- ⑤ PORTLAND CEMENT CONCRETE SIDEWALK 5 INCH
- ⑥ TOPSOIL AND SODDING (SEE LANDSCAPING PLANS)
- ⑦ RETAINING WALL - SN 016-7722 OR SN 016-7724
- ⑧ RETAINING WALL - SN 016-7721 OR SN 016-7725 OR SN 016-7726
- ⑨ BITUMINOUS MATERIALS (PRIME COAT)
- ⑩ AGGREGATE (PRIME COAT)
- ⑪ #6 TIE BARS, 30" LONG AT 30" C-C (IF LONGITUDINAL SAWED JOINT) / #6 TIE BARS, 24" LONG AT 24" C-C (IF LONGITUDINAL CONSTRUCTION JOINT) (INCLUDED IN PRICE FOR BID FOR VARIOUS PCC ITEMS)
- ⑫ #6 TIE BARS, 24" LONG AT 24" C-C (INCLUDED IN PRICE FOR BID FOR VARIOUS PCC ITEMS)
- ⑬ PORTLAND CEMENT CONCRETE PAVEMENT 8"
- ⑭ AGGREGATE BASE COURSE, TYPE B 4"

EXISTING LEGEND:

- Ⓐ EXISTING PAVEMENT (+-10" CONCRETE - 71ST STREET; HMA FERDINAND)
- Ⓑ GRAVEL OR CRUSHED STONE BASE
- Ⓒ COMBINATION CURB & GUTTER
- Ⓓ EXISTING GROUND LINE

FILE NAME = F:\A60156877\000_CADD\001_Drawings\Sheet\Sheet\60156877-INT-TYPICAL-23.dgn



USER NAME = F.marrj	DESIGNED - NJH	REVISED -
PLOT SCALE = 10.000' / 1"	DRAWN - JWM	REVISED -
PLOT DATE = 2/17/2011	CHECKED - TJW	REVISED -
DATE - FEBRUARY 17, 2011	REVISED -	

**STATE OF ILLINOIS
 DEPARTMENT OF TRANSPORTATION**

TYPICAL SECTIONS

F.A.U. RTE.	SECTION	COUNTY	TOTAL SHEETS	SHEET NO.
1537	06-00050-00-GS	COOK	209	13
SCALE: 1"=10'			SHEET NO. 3 OF 3 SHEETS	
STA. 17+08.73 TO STA. 19+76.00			FED. ROAD DIST. NO. 1 ILLINOIS FED. AID PROJECT CRE-9003709	