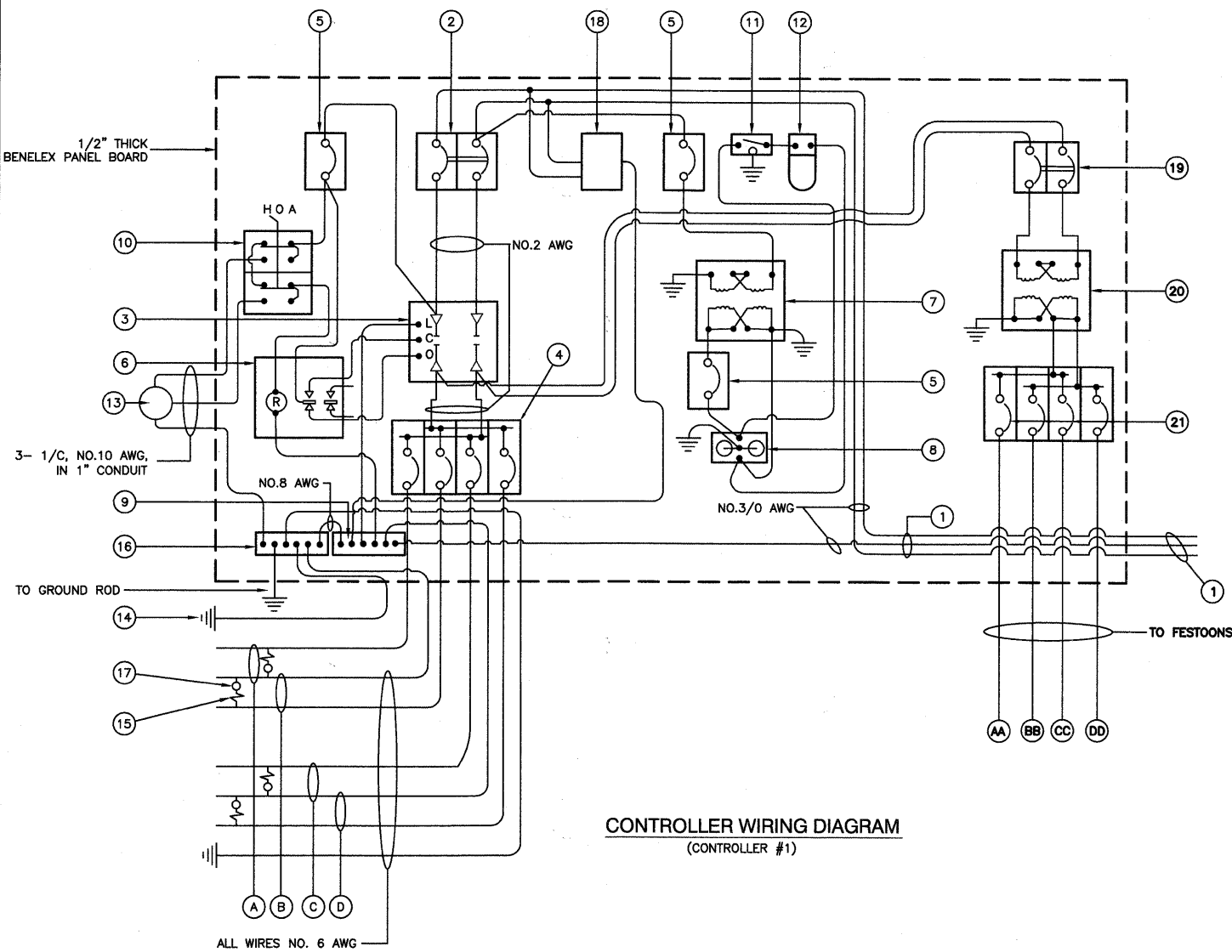


DATE	
BY	
REVISIONS	
NO.	
DESCRIPTION	
DATE	
BY	
DATE	
BY	

DATE	
BY	
REVISIONS	
NO.	
DESCRIPTION	
DATE	
BY	
DATE	
BY	



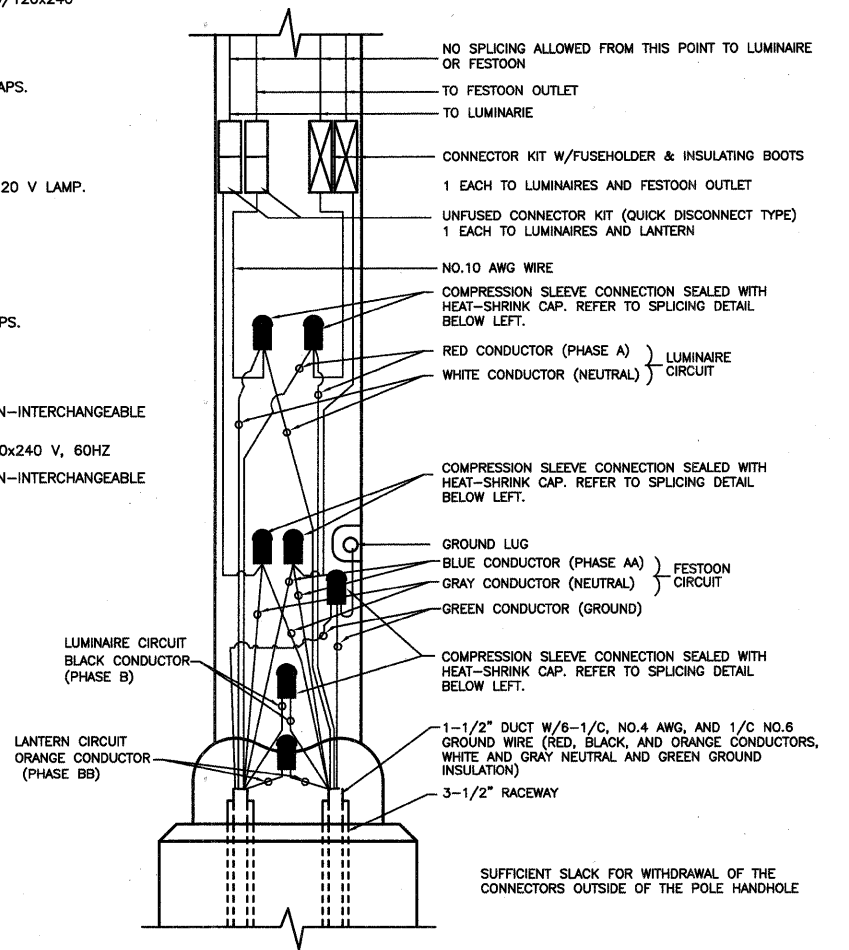
CONTROLLER WIRING DIAGRAM
(CONTROLLER #1)

CONTROLLER WIRING DIAGRAM LEGEND

- ① 3-1/C, NO. 3/0, 600V SERVICE WIRE IN 2" DIA. GALVANIZED STEEL CONDUIT FOR 240/480 VOLT, 1 ϕ , 3 WIRE, 60HZ. SERVICE.
- ② (1) 100 AMP MAIN CIRCUIT BREAKER, 2 POLE, 600 VOLT, 100 AMP BASE, NON-INTERCHANGEABLE TRIP INTERRUPTING RATING NEMA - 14000 AMP AT 480 V.
- ③ (1) 100 AMP REMOTE CONTROL CONTACTOR SWITCH, ELECTRICALLY OPERATED, MECHANICALLY HELD, 2 POLE, SINGLE THROW, MINIMUM 60 AMP, 600 VOLT
- ④ (4) 30 AMP CIRCUIT BREAKER, 1 POLE, 240 VOLT, 100 AMP BASE, NON-INTERCHANGEABLE TRIP INTERRUPTING RATING NEMA - 14000 AMP AT 240 VOLTS.
- ⑤ (3) 20 AMP CONTROL CIRCUIT-CIRCUIT BREAKER, 1 POLE, 240 VOLT, 100 AMP BASE, NON-INTERCHANGEABLE TRIP INTERRUPTING RATING NEMA 14000 AMP AT 240 V.
- ⑥ (1) 20 AMP, 1 POLE DOUBLE THROW, 240 VOLT RELAY
- ⑦ (1) 1.5 KVA, SINGLE PHASE, ENCAPSULATED TRANSFORMER 240x480/120x240 VOLT, 60 HZ.
- ⑧ (1) 20 AMP, 120 VOLT DUPLEX GFCI RECEPTACLE.
- ⑨ NEUTRAL BUS BAR, 1/4"x1"x12" LONG MOUNTED ON PANEL WITH TAPS.
- ⑩ 3 POSITION SELECTOR SWITCH
- ⑪ SWITCH FOR LIGHTING FIXTURE MOUNTED IN BOX.
- ⑫ WEATHER-PROOF INCANDESCENT LIGHTING FIXTURE WITH 60 WATT, 120 V LAMP.
- ⑬ PHOTOCELL MOUNTED TO TOP OF NEAREST LIGHT POLE, 240 V.
- ⑭ NO.8 AWG INSULATED GROUND WIRE
- ⑮ IN-LINE FUSEHOLDER WITH FUSE AS NOTED IN FUSE TABLE
- ⑯ GROUND BUS BAR 1/4"x1"x12" LONG MOUNTED ON PANEL WITH TAPS.
- ⑰ LUMINAIRE, 250 HPS OR 310 HPS
- ⑱ SURGE SUPPRESSOR
- ⑲ 60 AMP CIRCUIT BREAKER, 2 POLE, 600 VOLT, 250 AMP BASE, NON-INTERCHANGEABLE TRIP INTERRUPTING RATING NEMA - 14000 AMP AT 480 VOLTS.
- ⑳ 7.5 KVA, SINGLE PHASE, ENCAPSULATED TRANSFORMER 240x480/120x240 V, 60HZ
- ㉑ 30 AMP CIRCUIT BREAKER, 1 POLE, 600 VOLT, 100 AMP BASE, NON-INTERCHANGEABLE TRIP INTERRUPTING RATING NEMA - 14000 AMP AT 277 VOLTS.
- AA CIRCUIT
- BB CIRCUIT
- CC CIRCUIT
- DD CIRCUIT

NOMINAL WATTAGE	FUSE SIZE
250	3.5 AMP
310	5.0 AMP
FESTOON	1.5 AMP

LUMINAIRE FUSE SIZE TABLE



POLE HANDHOLE WIRING DIAGRAM
(TYPICAL FOR DOUBLE LUMINAIRE INSTALLATION)
(WITH LANTERN)

FILE NAME = 09353-LGHT-03 - P05
PLOT SCALE = N/A
PLOT DATE = 12/23/10

USER NAME =	DESIGNED -- PAP	REVISED --
	CHECKED -- PKB	REVISED --
	DRAWN -- MJD	REVISED --
	CHECKED -- AG	REVISED --

STATE OF ILLINOIS
DEPARTMENT OF TRANSPORTATION

71ST STREET	
STREET LIGHTING - EXISTING CONTROLLER #1 - LIGHTING DETAILS	
SCALE: N/A	SHEET NO. 87 OF 209 SHEETS
STA. N/A	TO STA. N/A

F.A.U. RTE. 1537	SECTION 06-00050-00-GS	COUNTY COOK	TOTAL SHEETS 209	SHEET NO. 87
CONTRACT NO. 63556				
FED. ROAD DIST. NO. 1 ILLINOIS FED. AID PROJECT CRE-9003(709)				