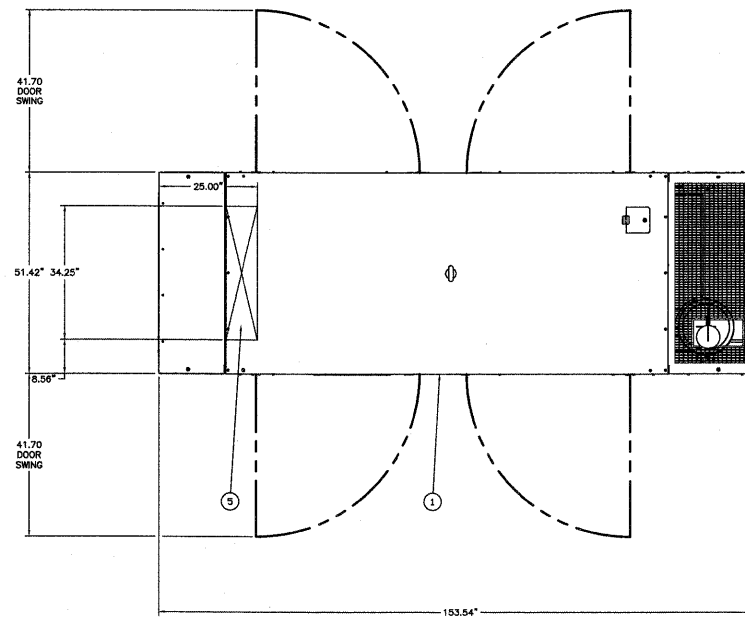
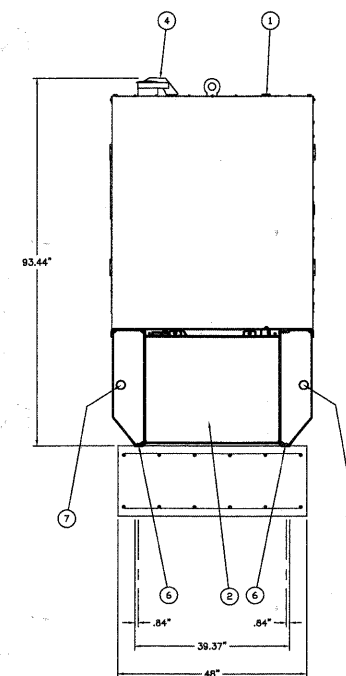
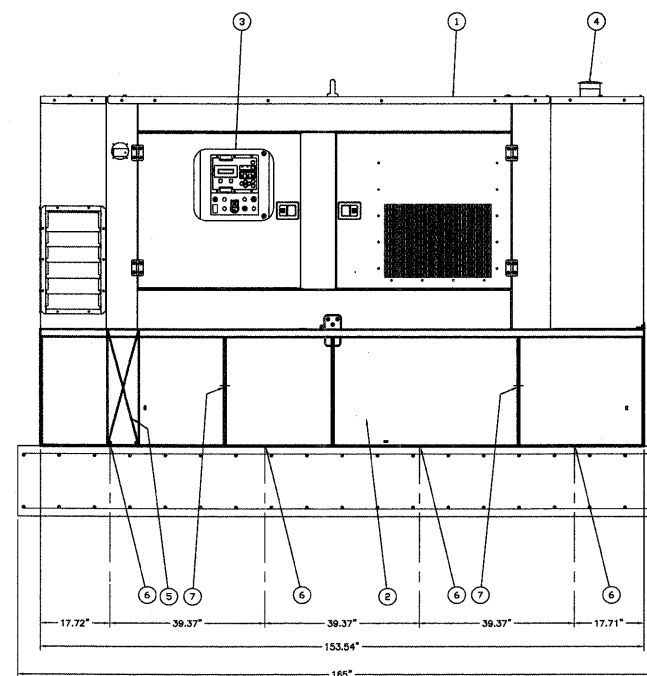
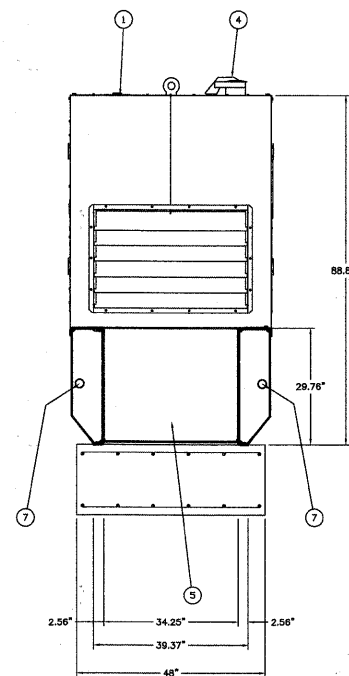


FOUNDATION BILL OF MATERIAL - GENERATOR		
ITEM	QUANTITY	DESCRIPTION
CONCRETE	3.1 CU YDS	3000 PSI CONCRETE
REINFORCING STEEL	222 LF(148.3 LBS)	NO. 4 BARS ASTM A615 (GR40) DEFORMED
AGGREGATE	1.0 CU YDS	FA 1 AGGREGATE



ITEM	DESCRIPTION
1	SOUND ATTENUATED ENCLOSURE
2	FCUL2 - 24 HOUR UL-142 FUEL TANKBASE
3	VIEWING WINDOW FOR EMCP 3 CONTROL PANEL
4	EXHAUST OUTLET WITH RAIN CAP
5	ELECTRICAL STUB-UP AREA 34.25\"/>
6	CUSTOMER MOUNTING HOLES .53\"/>
7	LIFTING EYES 2.17\"/>



FILE NAME = 09353_02-PLAN-03 - P01

USER NAME =
 PLOT SCALE =
 PLOT DATE = 12/23/10

DESIGNED - PKB
 CHECKED - PKB
 DRAWN - PS
 CHECKED - AG

REVISED - REL - 01-14-11
 REVISED - REL - 02-09-11
 REVISED -
 REVISED -

STATE OF ILLINOIS
 DEPARTMENT OF TRANSPORTATION

71ST STREET
 PUMPING STATION EMERGENCY GENERATOR

SCALE: 1/2" = 1'

SHEET NO. 93 OF 209 SHEETS STA. TO STA.

F.A.U. RTE.	SECTION	COUNTY	TOTAL SHEETS	SHEET NO.
1537	06-00050-00-GS	COOK	209	93
CONTRACT NO. 63556				
FED. ROAD DIST. NO. 1 ILLINOIS FED. AID PROJECT CRE-9003(709)				