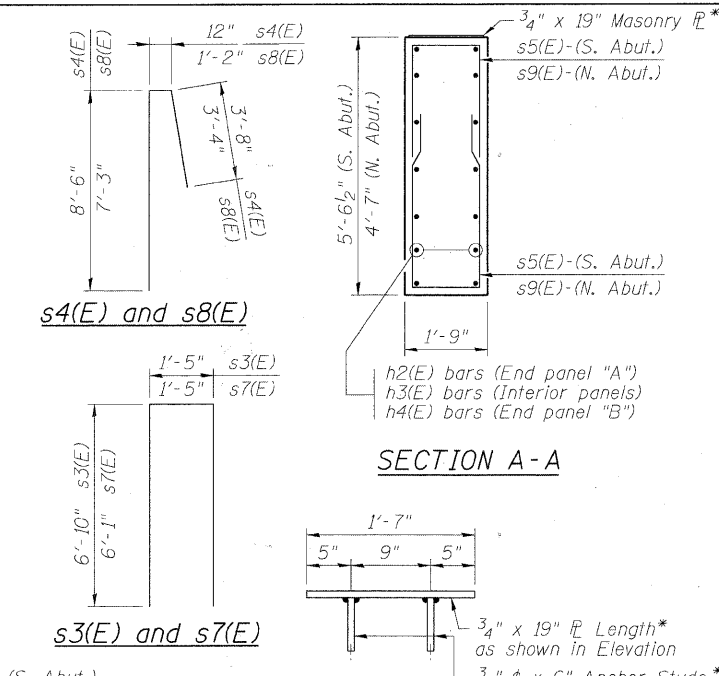
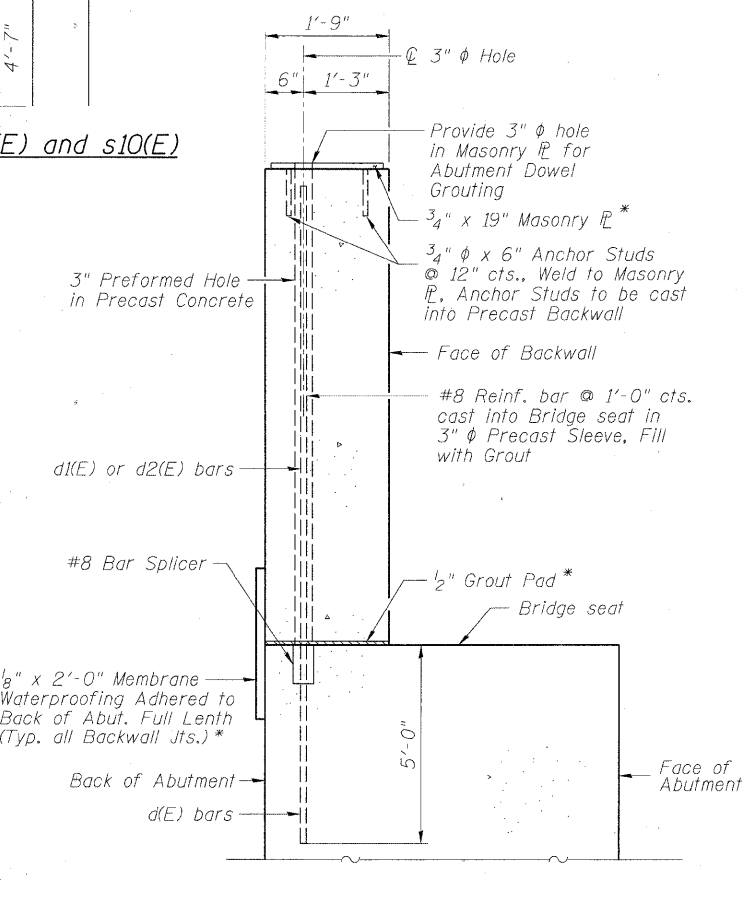
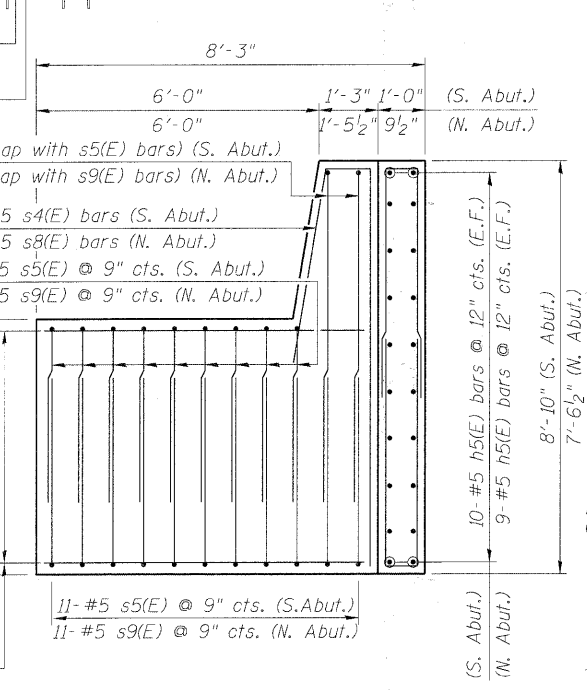
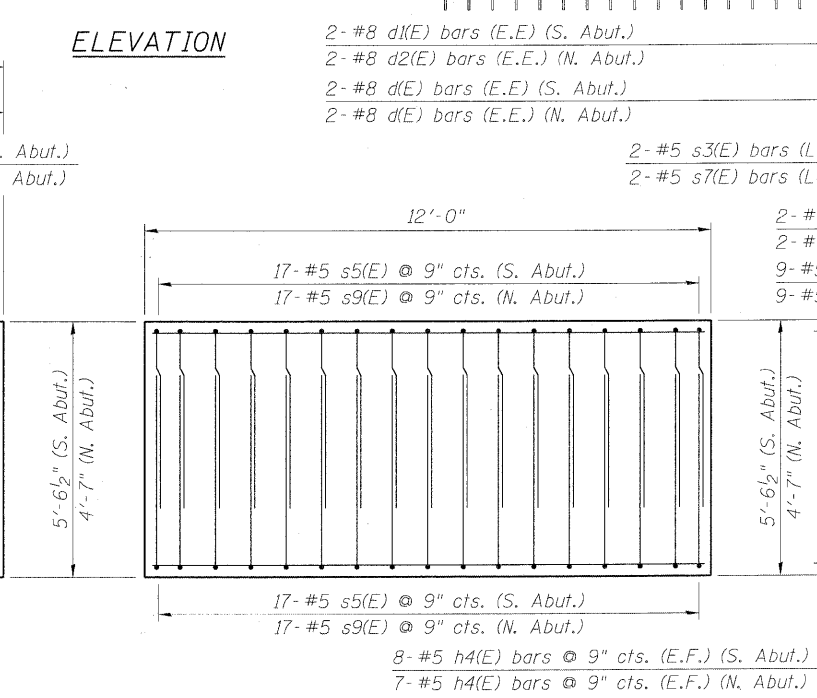
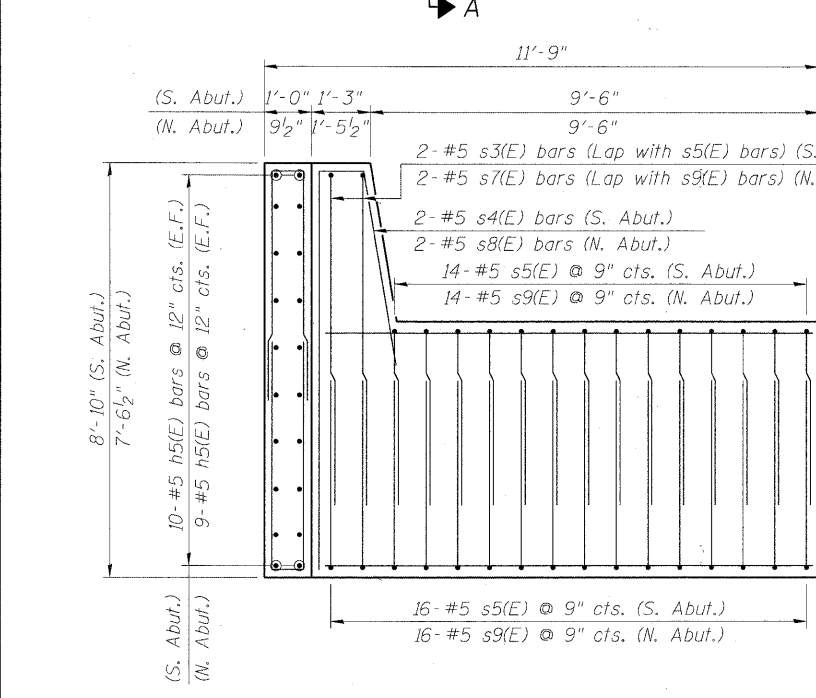
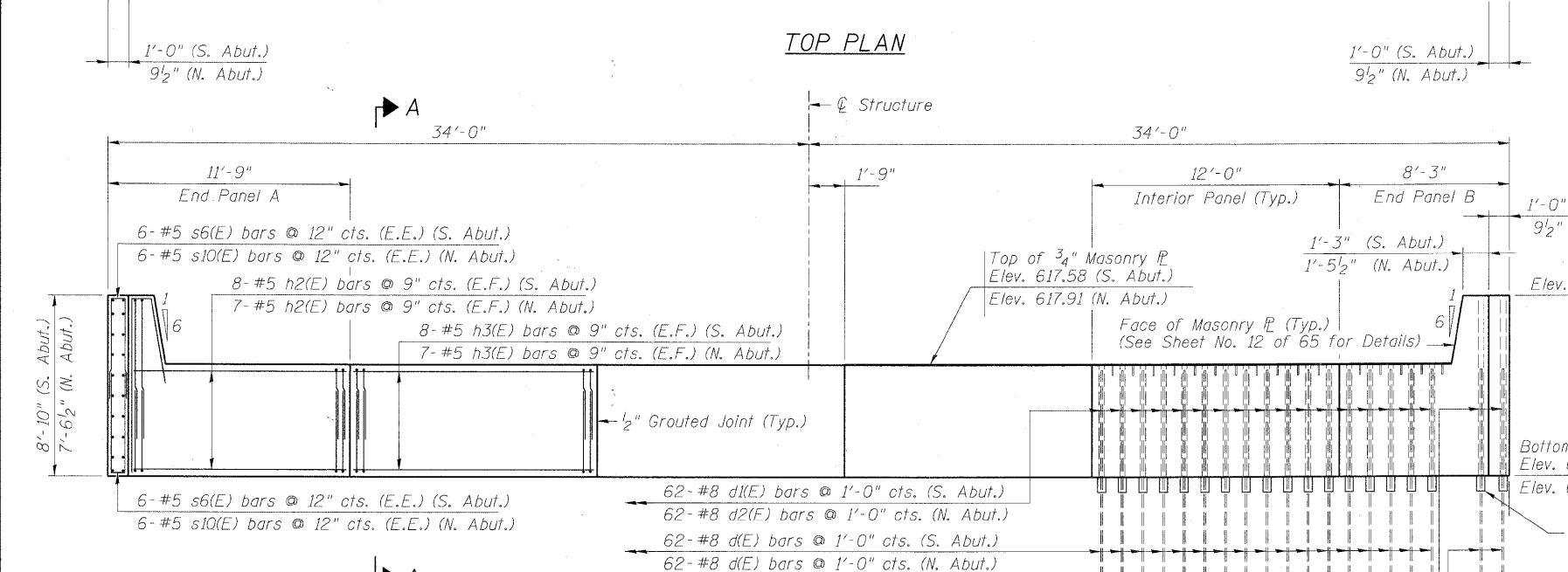
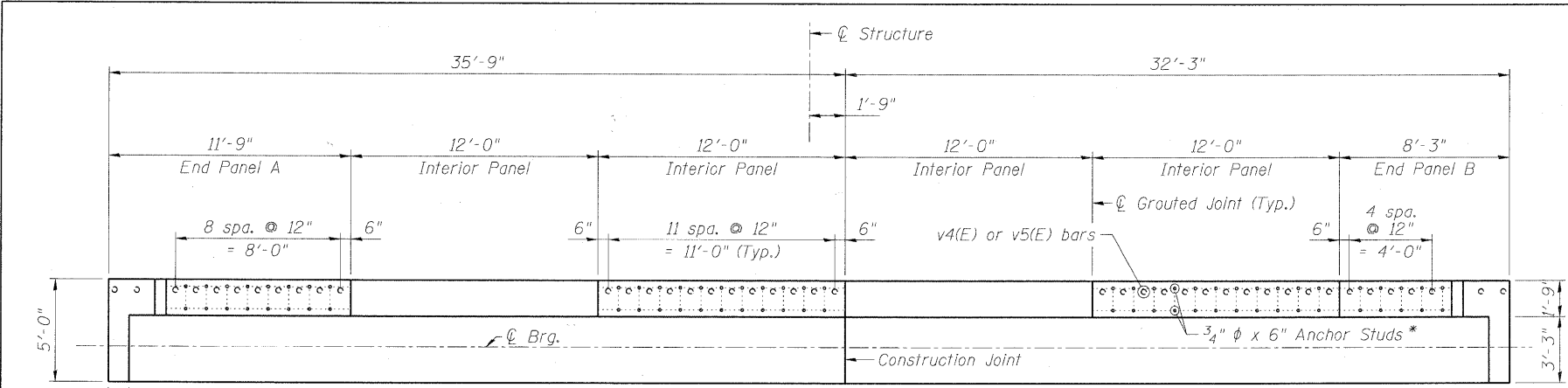


FILE NAME = P:\06158771\000_Drawing_Sheets\Structure\016-7721_001_sht.dwg, Precast Backwall Details.dwg



BILL OF MATERIAL

Bar	No.	Size	Length	Shape
d1(E)	132	#8	5'-0"	—
d1(F)	66	#8	5'-5"	—
d2(E)	66	#8	4'-6"	—
h2(E)	30	#5	10'-5"	—
h3(E)	120	#5	11'-8"	—
h4(E)	30	#5	6'-11"	—
h5(E)	76	#5	4'-8"	—
s3(E)	4	#5	15'-1"	—
s4(E)	4	#5	13'-2"	—
s5(E)	186	#5	8'-7"	—
s6(E)	24	#5	11'-2"	—
s7(E)	4	#5	13'-7"	—
s8(E)	4	#5	11'-9"	—
s9(E)	186	#5	7'-7"	—
s10(E)	24	#5	9'-8"	—
Precast Conc. Backwall	Cu. Yd.		67	
Reinforcement Bars, Epoxy Coated	Pound		9770	
Bar Splicers	Each		132	

* Included in cost of "Precast Concrete Backwall"

ANCHOR STUDS WELD TO MASONRY PLATE

Notes:
 E.E. = Each End
 E.F. = Each Face
 See Precast Backwall Concrete Special Provision for type of Grout



USER NAME = krtzm	DESIGNED - BMR	REVISED -
PLOT SCALE = 2:1 1/2" = 1'-0"	DRAWN - COM	REVISED -
PLOT DATE = 3/16/2011	CHECKED - DD	REVISED -
DATE = 11/23/2010	DATE - 11/23/2010	REVISED -

STATE OF ILLINOIS
 DEPARTMENT OF TRANSPORTATION

PRECAST BACKWALL DETAILS
 STRUCTURE NO. 016-7721

SCALE: NONE SHEET NO. 8 OF 65 SHEETS STA. TO STA.

F.A.U. RTE. 1537	SECTION 06-00050-00-GS	COUNTY COOK	TOTAL SHEETS 209	SHEET NO. 102
CONTRACT NO. 63556				
FED. ROAD DIST. NO. 1 ILLINOIS FED. AID PROJECT CRE-9003709				