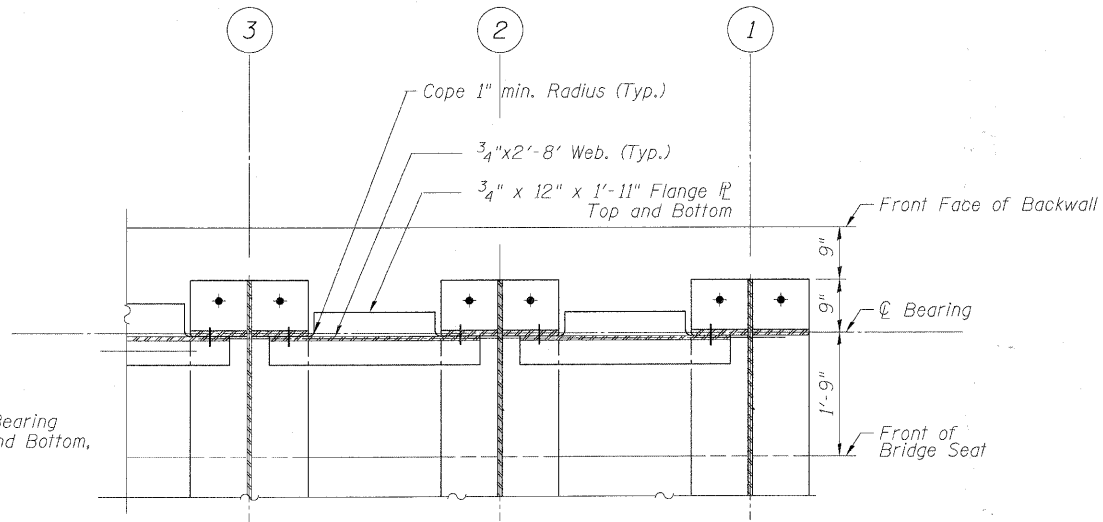


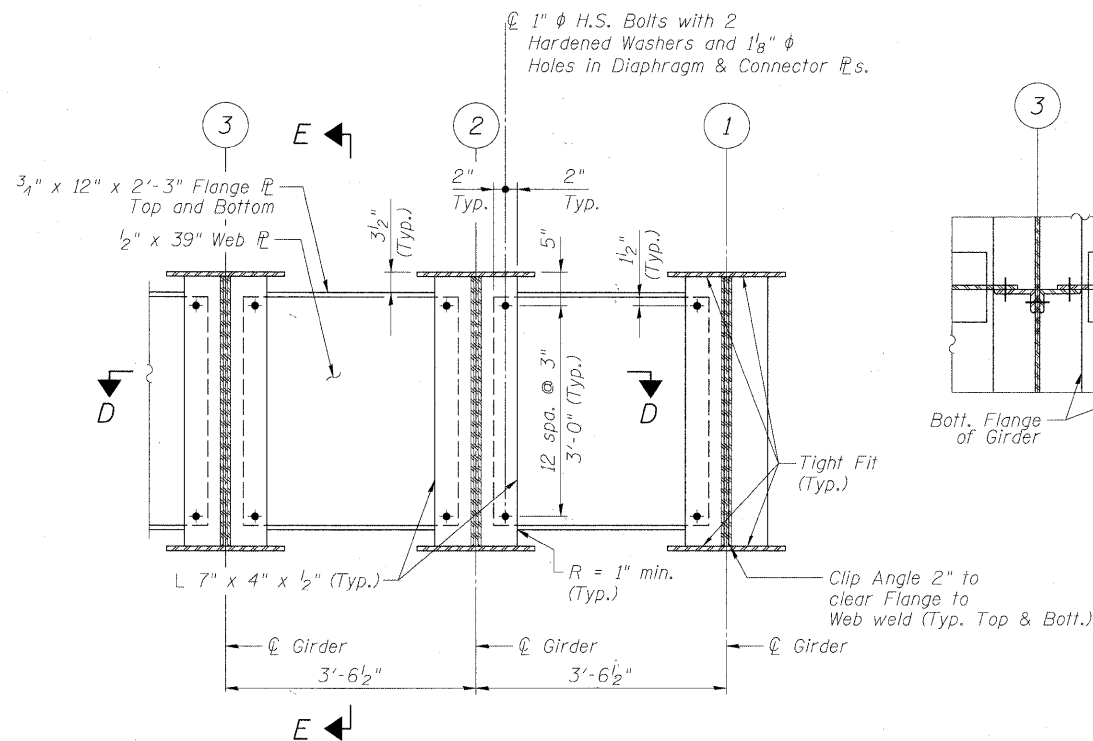
SECTION AT BEARING STIFFENERS

NOTE:

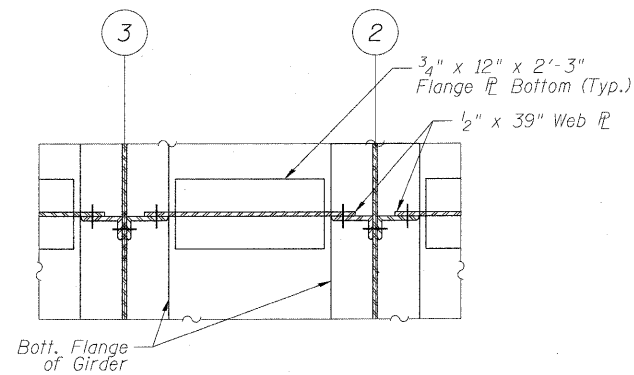
For bearing stiffeners mill to bear at bottom flange prior to welding. Provide tight fit at top flange.



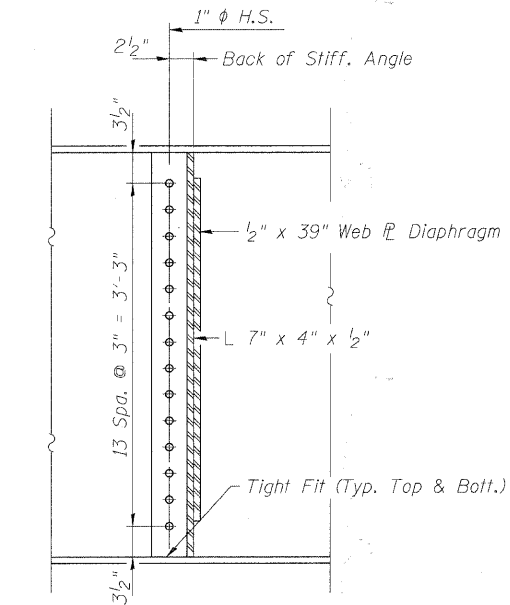
SECTION A-A



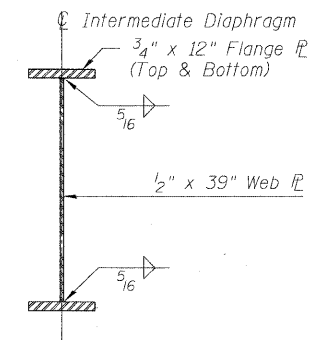
SECTION AT INTERMEDIATE DIAPHRAGMS



SECTION D-D



SECTION E-E
Typical Stiffener to Girder Connection



INTERMEDIATE DIAPHRAGM SECTION

FILE NAME = F:\63556\7721\000 CAD\001 Drawing\Sheet\Structure\016-7721.D0T.dwg



USER NAME = knitzm	DESIGNED - BMR	REVISED -
PLOT SCALE = 2x1' / in.	DRAWN - COM	REVISED -
PLOT DATE = 3/16/2011	CHECKED - DD	REVISED -
	DATE - 11/23/2010	REVISED -

STATE OF ILLINOIS
DEPARTMENT OF TRANSPORTATION

SUPERSTRUCTURE DETAILS
STRUCTURE NO. 016-7721

SCALE: NONE SHEET NO. 11 OF 65 SHEETS STA. TO STA.

F.A.U. RTE.	SECTION	COUNTY	TOTAL SHEETS	SHEET NO.
1537	06-00050-00-GS	COOK	209	105
CONTRACT NO. 63556				
FED. ROAD DIST. NO. 1 ILLINOIS FED. AID PROJECT CRE-9003(709)				