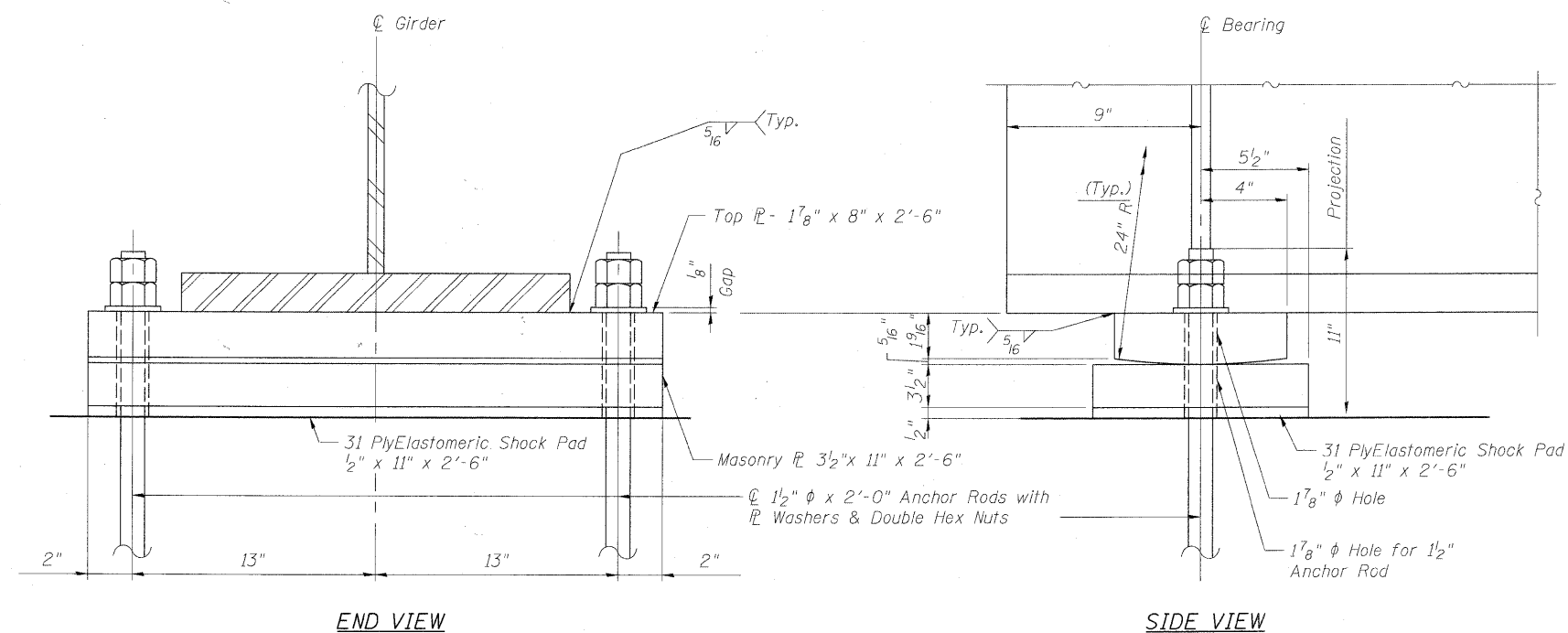


TOTAL BILL OF MATERIAL

Item	Unit	Total
ANCHOR BOLTS 1 1/2 IN DIAMETER	EACH	38



FIXED BEARING DETAILS - NORTH ABUTMENT

- NOTE :
1. Required shim plates shall be a single plate, not multi layered, included in "Furnish and Erect Structural Steel".
 2. See Note on next sheet for shock pad material.
 3. Surface Finish top of Masonry Plate shall conform to ANSI/ASME B46.1, for Surface Texture.

FILE NAME = P:\6015567\020_CAD\001_Drawing\Sheet\Structural\016-7721\001.dwg; Bearing Fixed.dgn



USER NAME = krszm	DESIGNED - BMR	REVISED -
PLOT SCALE = 0:1' / 1/8"	DRAWN - COM	REVISED -
PLOT DATE = 3/16/2011	CHECKED - DD	REVISED -
DATE = 11/23/2010	REVISED -	

STATE OF ILLINOIS
DEPARTMENT OF TRANSPORTATION

FIXED BEARING DETAILS
STRUCTURE NO. 016-7721

F.A.U. RTE.	SECTION	COUNTY	TOTAL SHEETS	SHEET NO.
1537	06-00050-00-GS	COOK	209	108
CONTRACT NO. 63556				
FED. ROAD DIST. NO. 1 ILLINOIS FED. AID PROJECT CRE-90031091				

SCALE: NONE SHEET NO. 15 OF 65 SHEETS STA. TO STA.