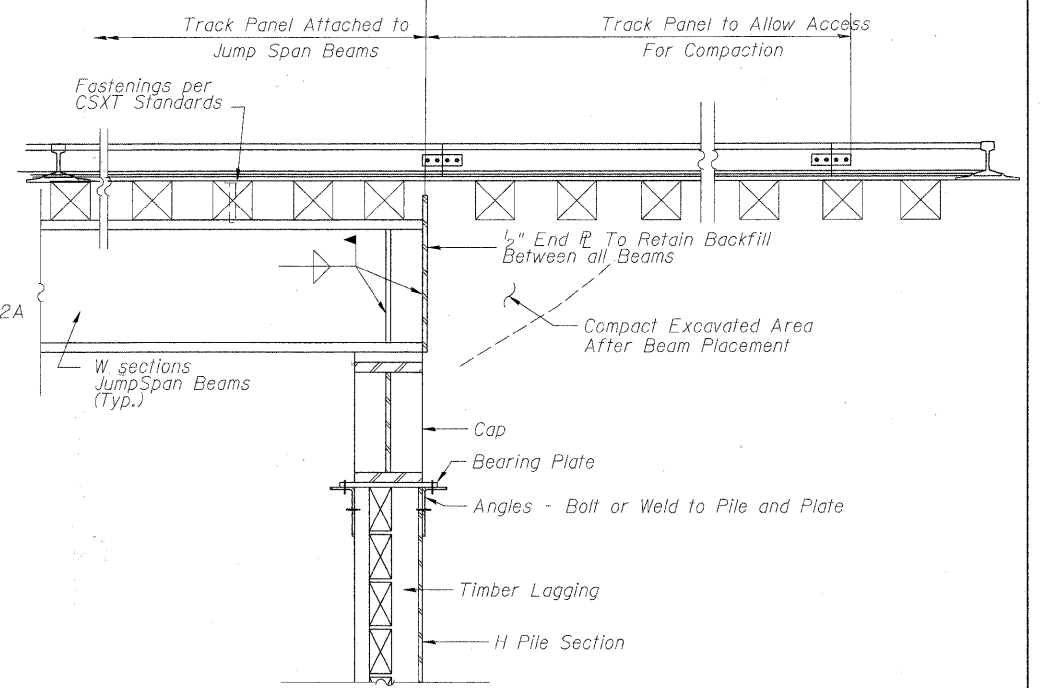


FALSEWORK CONSTRUCTION SEQUENCE (STEP 1)

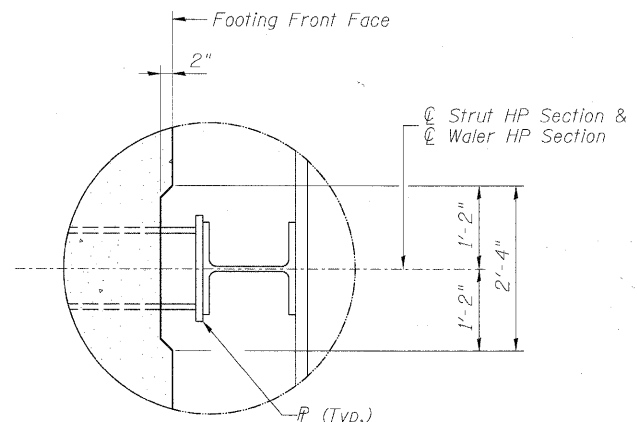
FALSEWORK CONSTRUCTION SEQUENCE (STEP 2)



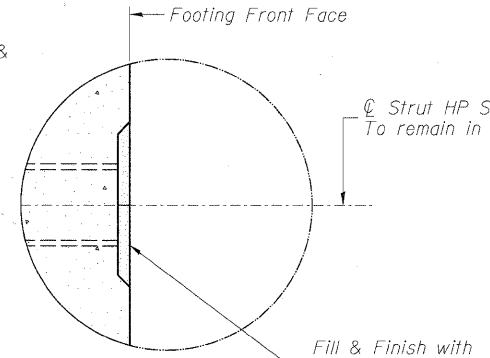
END ELEVATION - JUMP SPAN

*Included in cost of "Pipe Underdrains for Structures".
 **Backfill remainder of Structure excavation and overexcavation with same material specified for roadway embankment.
 ***Precast Backwall to be placed after removal of Jump Span.

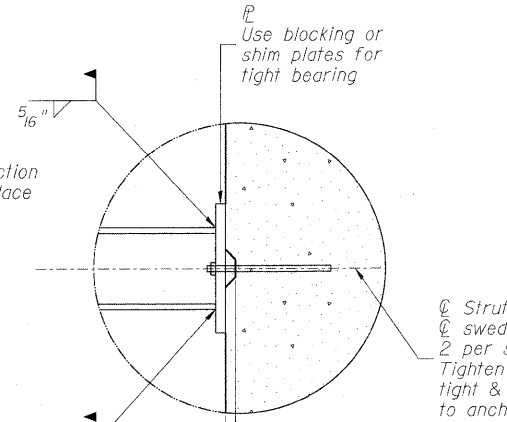
- NOTES:
1. All Construction Joints shall be keyed in accordance to these Plans.
 2. No Shoring against Concrete is allowed unless a minimum compressive strength of 3000 psi has been reached.
 3. Struts shall be directly opposite on Abutment Stem, so no eccentricity of force is introduced into concrete.



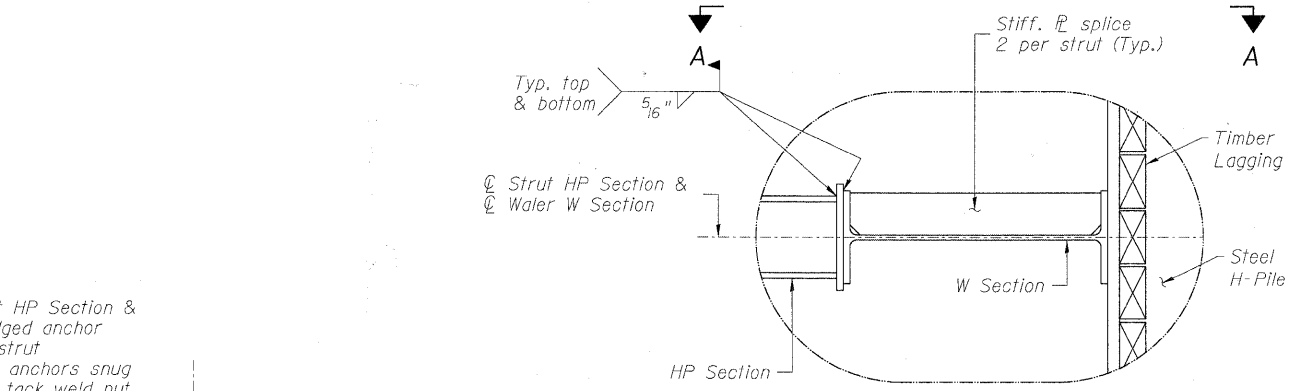
STEP 1-A



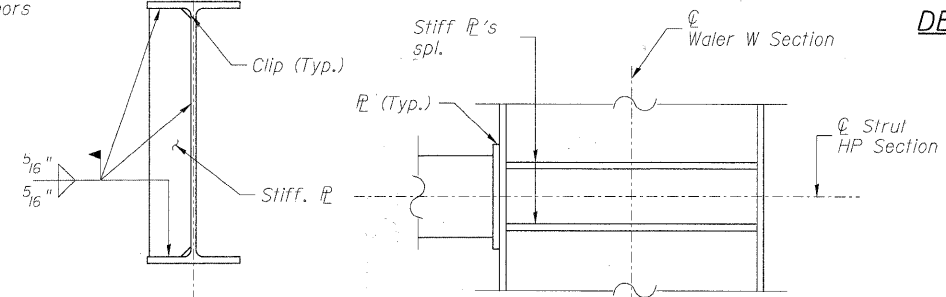
STEP 1-B



DETAIL C



DETAIL B



STIFF Ø SPL.

SECTION A-A

- STEP 1-A
1. Cast footing while Level 3 Struts (HP) are in-place.
 2. Block out the front face of the footings as shown in Detail A.
 3. Adjust reinforcement to miss struts.
 4. At Contractor's option, the block-outs can be confined to individual struts or along the entire front face of the footings.

- STEP 1-B
5. Remove the falsework adjacent to the front face of the footings including Level 3 Walers (HP).
 6. Remove the exposed portion of Level 3 Struts (HP), flushed with the front face of the footings within the block-outs.
 7. Fill and finish the block-outs using high-strength non-shrink grouts.

Suggested Details Only, Final Design and Details by the Contractor.

FILE NAME = F:\60156877\0208.D00\A001.Dr\Temp\Sheets\Structure\1\016-7721_1001_sht19_Staging_Details.dgn



USER NAME = whalant	DESIGNED - BMR	REVISED -
PLOT SCALE = 1/8" = 1'-0"	DRAWN - COM	REVISED -
PLOT DATE = 3/16/2011	CHECKED - DD	REVISED -
	DATE - 11/23/2010	REVISED -

**STATE OF ILLINOIS
DEPARTMENT OF TRANSPORTATION**

TEMPORARY STAGING DETAILS
STRUCTURE NO. 016-7721

SCALE: NONE SHEET NO. 19 OF 65 SHEETS STA. TO STA.

F.A.U. RTE. 1537	SECTION 06-00050-00-6S	COUNTY COOK	TOTAL SHEETS 209	SHEET NO. 111A
CONTRACT NO. 63556			FED. ROAD DIST. NO. 1 ILLINOIS FED. AID PROJECT CRE-900317091	