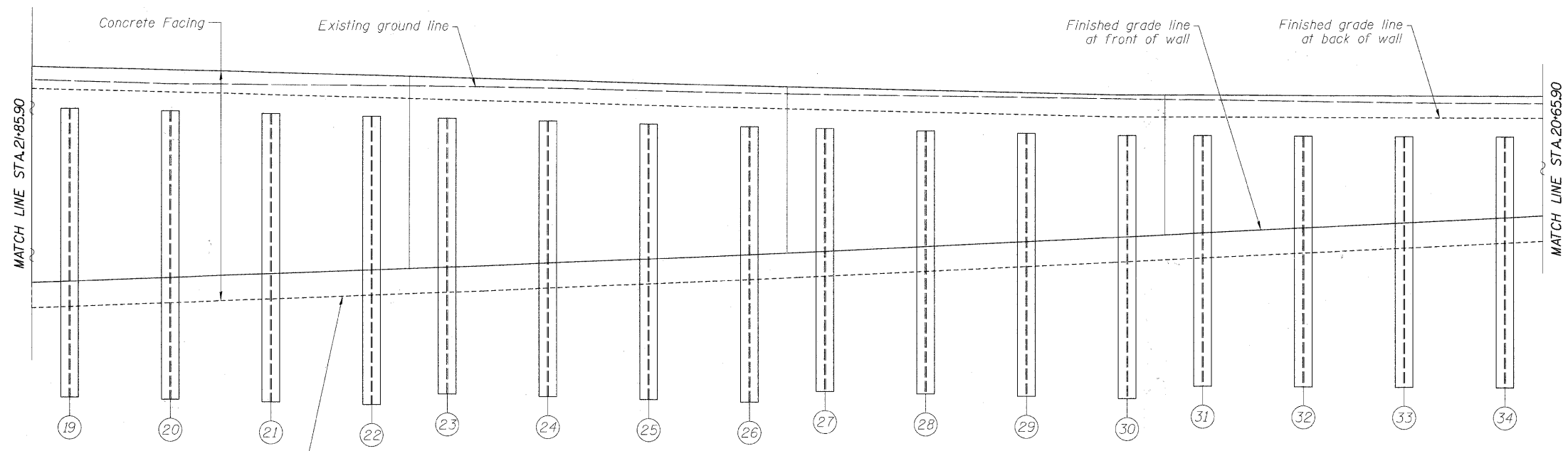


**PLAN**  
(All dimensions are measured along front face of wall)



**ELEVATION**

**PILE SUMMARY**

PILE NO.	PILE SIZE	LENGTH	BOTTOM ELEVATION	TOP ELEVATION	PILE NO.	PILE SIZE	LENGTH	BOTTOM ELEVATION	TOP ELEVATION	PILE NO.	PILE SIZE	LENGTH	BOTTOM ELEVATION	TOP ELEVATION
19	W36x282	41.00	574.44	615.44	24	W36x282	37.00	577.49	614.49	29	W33x201	32.00	581.54	613.54
20	W36x282	41.00	574.24	615.24	25	W36x282	37.00	577.29	614.29	30	W33x201	32.00	581.35	613.35
21	W36x282	41.00	574.04	615.04	26	W36x282	37.00	577.09	614.09	31	W33x201	26.00	587.32	613.32
22	W36x282	41.00	573.84	614.84	27	W33x201	32.00	581.94	613.94	32	W33x201	26.00	587.27	613.27
23	W36x282	37.00	577.69	614.69	28	W33x201	32.00	581.74	613.74	33	W33x201	26.00	587.22	613.22
										34	W33x201	26.00	587.17	613.17

**SHAFT SIZES**

PILE SIZE	SHAFT EXCAVATION SIZE
W36x302	4'-0" $\phi$
W36x282	4'-0" $\phi$
W33x201	3'-6" $\phi$
W21x147	2'-6" $\phi$
W21x101	2'-6" $\phi$

FILE NAME = P:\60155877\020\_CAD\001\_Dr-orig\Sheets\Structure\016-7723\_1101-sh134-File P&E\_2.dgn



USER NAME = debezicd	DESIGNED = DD	REVISED =
PLOT SCALE = 0:1.0000 1' / 1"	DRAWN = DD	REVISED =
PLOT DATE = 2/17/2011	CHECKED = EJO	REVISED =
DATE = 11/22/2010	REVISED =	

**STATE OF ILLINOIS  
DEPARTMENT OF TRANSPORTATION**

**SOLDIER PILE PLAN & ELEVATION II  
STRUCTURE NO. 016-7723**

SCALE: SHEET NO. 34 OF 65 SHEETS STA. 20+65.90 TO STA. 21+85.90

F.A.U. RTE. 1537	SECTION 06-00050-00-GS	COUNTY COOK	TOTAL SHEETS 209	SHEET NO. 124
CONTRACT NO. 63556			ILLINOIS FED. AID PROJECT	