

\* See Field Cutting Diagram on Sheet 47 of 61.

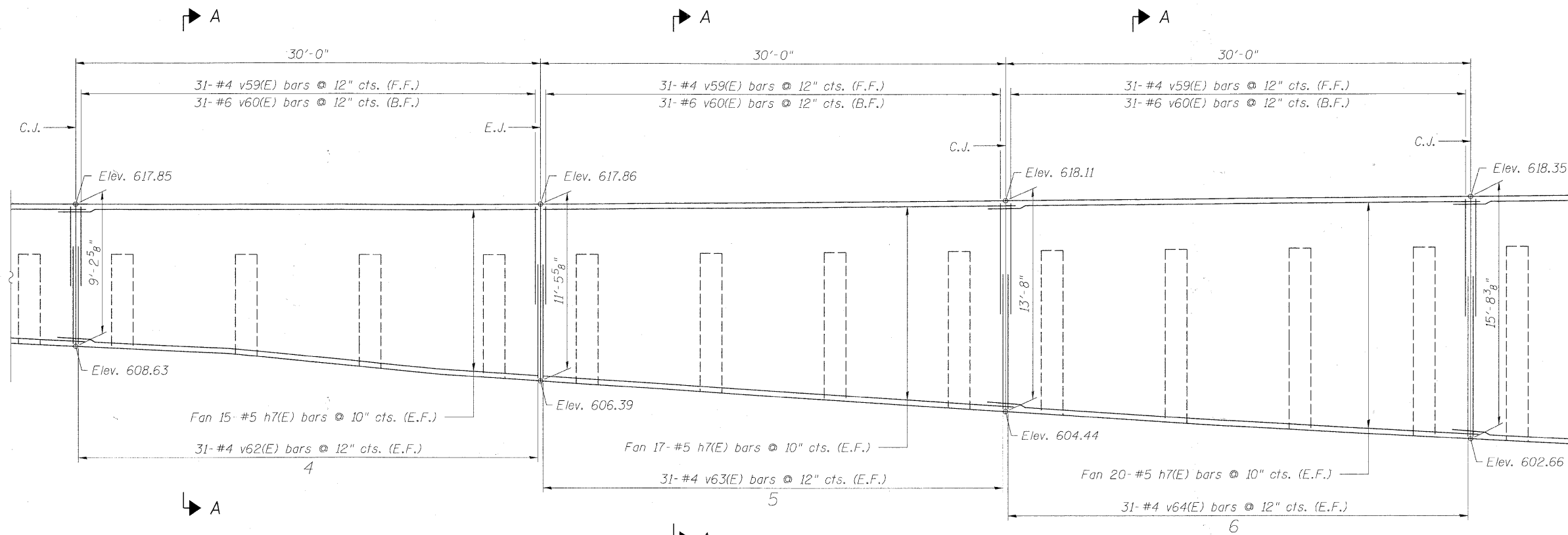
**ELEVATION**  
Concrete Facing Panels 1-3  
(Unfolded Elevation View)

**MIN. BAR LAPS**

- #4 bars - 2'-0"
- #5 bars - 2'-6"
- #6 bars - 3'-0"

**NOTES**

For Sections See Sheet 51 of 61.  
E.J. = Expansion Joint  
C.J. = Construction Joint  
B.F. = Back Face  
F.F. = Front Face  
E.F. = Each Face



**ELEVATION**  
Concrete Facing Panels 4-7  
(Unfolded Elevation View)

FILE NAME = P:\610159877\_006\_CAD\001\_Drawing\Sheets\Structural\016-7725\_1001-11-14-10-Cont-Facing\_Ldgn



USER NAME = dabeziad	DESIGNED - DD	REVISED -
PLOT SCALE = 2:1 (2000' / 1")	DRAWN - DD	REVISED -
PLOT DATE = 2/17/2011	CHECKED - EJO	REVISED -
	DATE - 11/22/2010	REVISED -

**STATE OF ILLINOIS**  
**DEPARTMENT OF TRANSPORTATION**

**SOLDIER PILE PLAN & ELEVATION I**  
**STRUCTURE NO. 016-7725**

SCALE: SHEET NO. 49 OF 65 SHEETS STA. TO STA.

F.A.U. RTE.	SECTION	COUNTY	TOTAL SHEETS	SHEET NO.
1537	06-00050-00-GS	COOK	209	139
				CONTRACT NO. 63556
ILLINOIS FED. AID PROJECT				