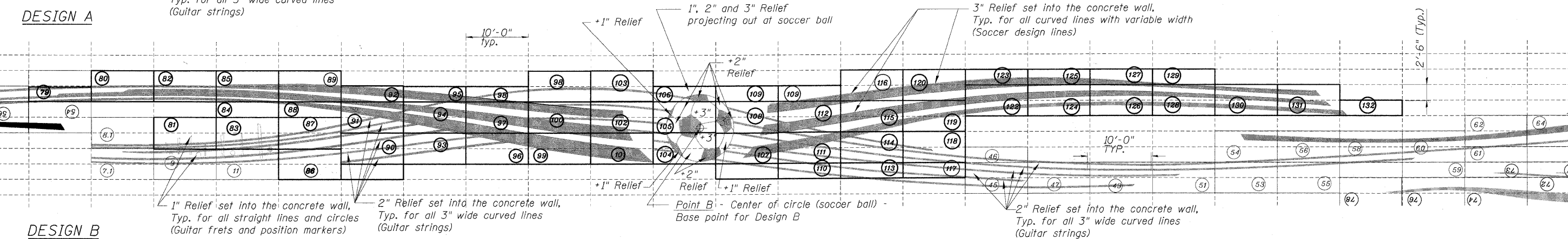
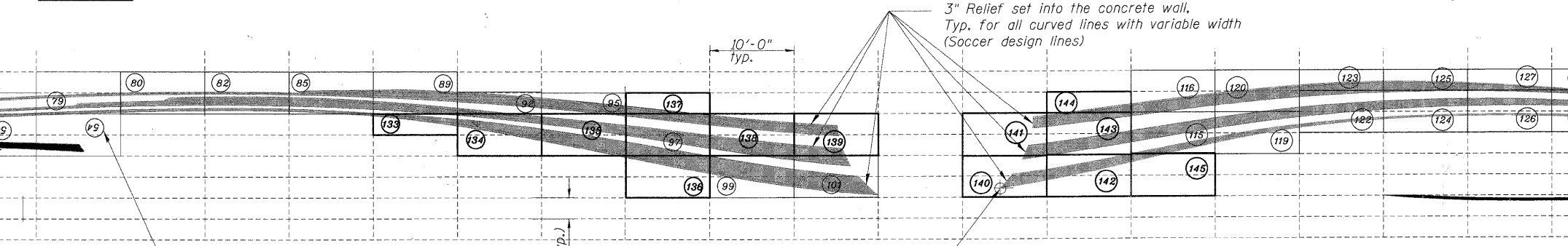


DESIGN A



DESIGN B

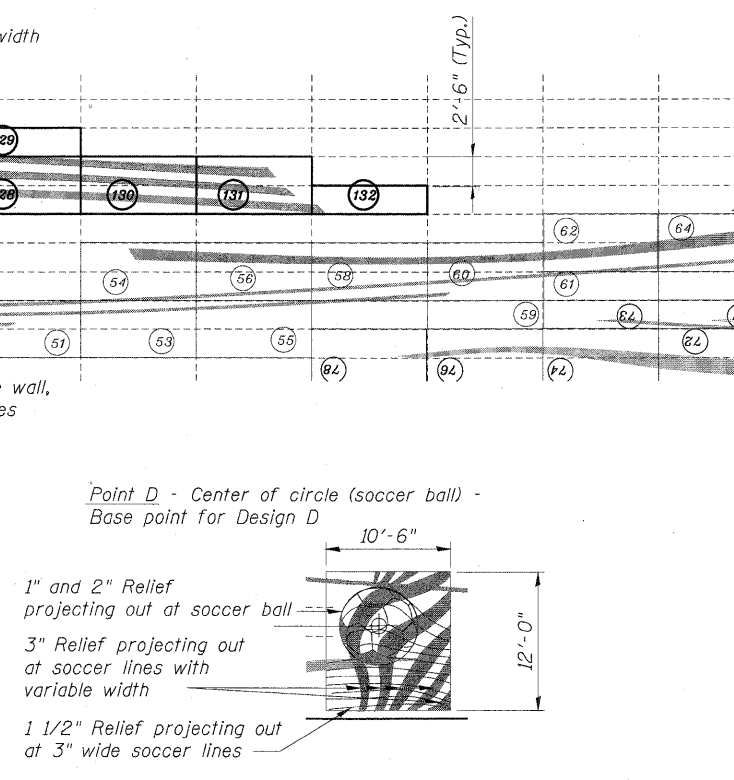


DESIGN C

Rotated numbers / panels indicate that the original design is repeated in a rotated position. (Typ.)

NOTES:

- The form liner designs are overlaid on a 2'-6"x 10'-0" grid (shown on this drawing) to allow for a nominal modular panel sizes of 5'-0"x 10'-0" and 2'-6"x 10'-0". The module and the panel sizes are shown only to convey the intent of repeating the basic designs or combining the portions of the basic designs along the retaining walls. See detailed wall elevations, Sheets: 4, 5, 6, 7 and 8 of 8. Form liner manufacturer to determine the most economical panel size that would allow for maximum reuse of form liners, ease of installation and account for the control joints (every 30' of concrete retaining wall). Submit detail Shop Drawings showing the design, relief depth, panel size and location, for review and approval.
- Panels shown in darker lines indicate unique design.
- Panels shown in lighter shade and / or are rotated indicate repetitive design / panel.



DESIGN D

- CAD files of the 2D line design / pattern will be provided for Form Liner manufacturer's use.
- FormLiners to be fabricated from fiberglass or elastomeric urethane suitable for multi-use.
- Relief depth to be one, two and three inches, as shown.
- Manufacturers: Scott System Inc., 10777 E. 45th Ave., Denver, CO 80239; www.scottsystem.com; Creative Form Liners Inc., 3411 Windom Road Brentwood, Maryland 20722, www.creativeformliners.com, or approved equal. Must have documented experience for projects of this scale.
- Color effect to be achieved by staining the concrete relief where indicated on drawings. Stain to be applied on all three sides of the relief.
- See structural and civil drawings for finished grade line and top of wall elevations at control joint locations.
- Bottom of concrete facing could be staggered instead of parallel to the grade to facilitate form liner module as long as bottom of form liners is min. 2'-0" below the grade.

FILE NAME: P:\63556\77-200-CA\01\001-Drawing\Sheets\Detail\structure\1A_158_FormLiners_Details.rvt



USER NAME - r1stovakam	DESIGNED - MR	REVISED -
PLOT SCALE - 0:1.0000 1' = 1"	DRAWN - MR	REVISED -
PLOT DATE - 3/16/2011	CHECKED - DV	REVISED -
	DATE - 10/11/2010	REVISED -

STATE OF ILLINOIS
DEPARTMENT OF TRANSPORTATION

FORM LINERS - DETAILS

SCALE: 1/8"=1'-0" SHEET NO. 3 OF 8 SHEETS STA. TO STA.

F.A.U. RTE. 1537	SECTION 06-00050-00-GS	COUNTY COOK	TOTAL SHEETS 209	SHEET NO. 158
CONTRACT NO. 63556			ILLINOIS FED. AID PROJECT	