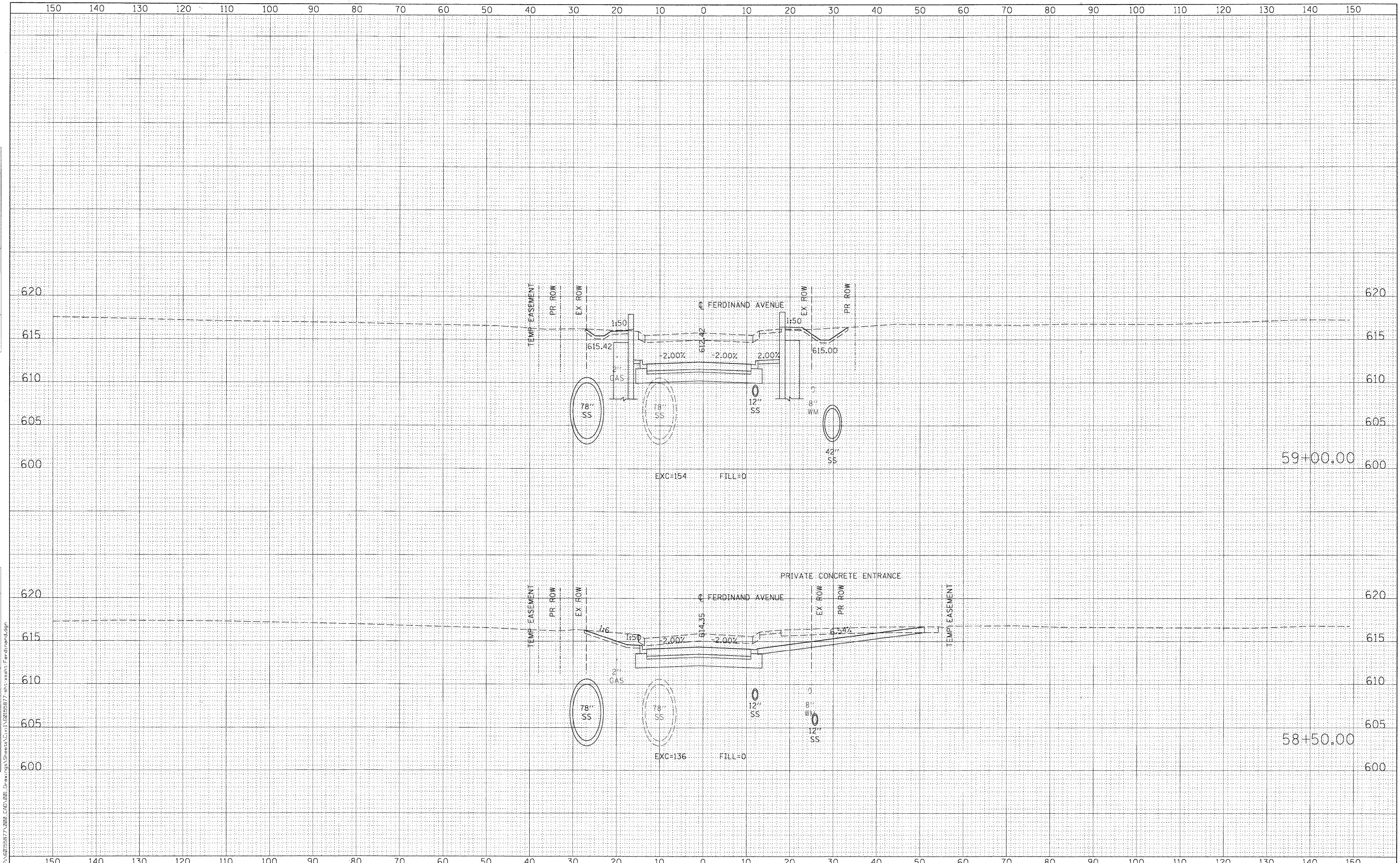


FINAL SURVEY	SURVEYED	BY	DATE
NOTE BOOK NO.	PLOTTED		
	TEMPLATE		
	AREAS CHECKED		

ORIGINAL SURVEY	SURVEYED	BY	DATE
NOTE BOOK NO.	PLOTTED		
	TEMPLATE		
	AREAS CHECKED		



FILE NAME = P:\02155877\021 CAD\2010\Drawings\Sheet\Civil\60155877.dwg; xahh; Ferdinand.dgn



USER NAME = marnj	DESIGNED - NJH	REVISED -
PLOT SCALE = 10.000' / 1" =	DRAWN - NJH	REVISED -
PLOT DATE = 2/17/2011	CHECKED - TJW	REVISED -
	DATE - DECEMBER 12, 2010	REVISED -

STATE OF ILLINOIS
DEPARTMENT OF TRANSPORTATION

CROSS SECTIONS - FERDINAND AVENUE

H: 1"=10', V: 1"=5' SHEET NO. 4 OF 5 SHEETS STA. 58+50.00 TO STA. 59+00.00

F.A.U. RTE.	SECTION	COUNTY	TOTAL SHEETS	SHEET NO.
1537	06-00050-00-GA	COOK	209	205
CONTRACT NO. 63556			ILLINOIS FED. AID PROJECT	