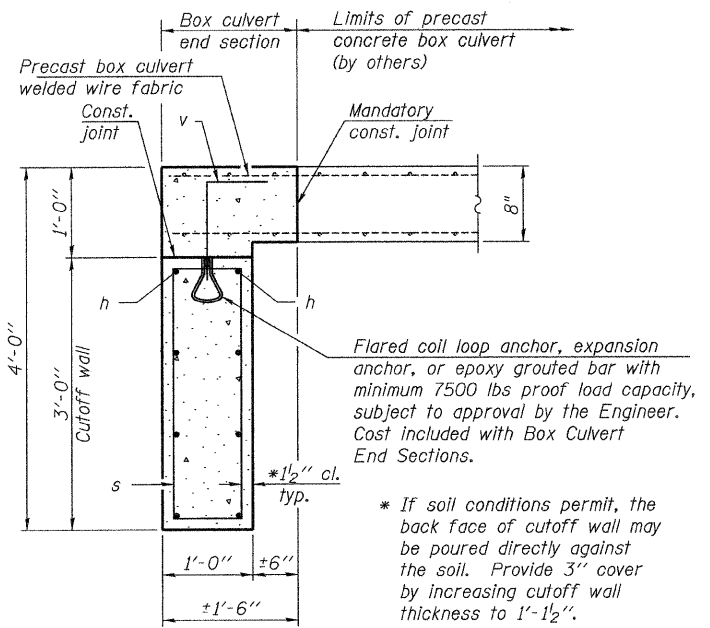
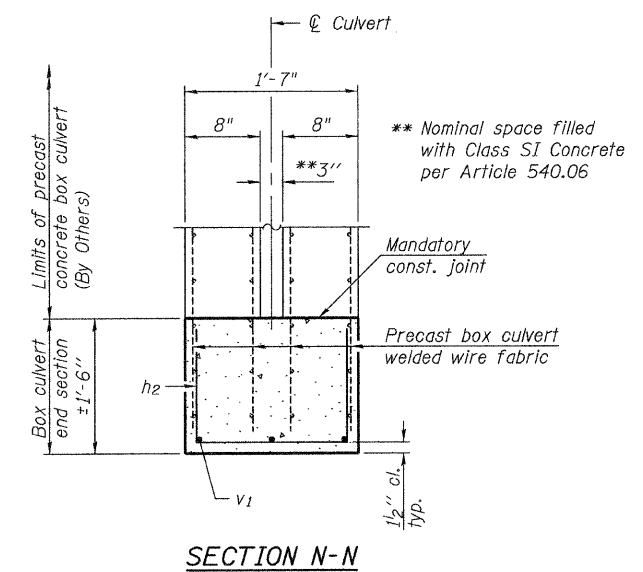


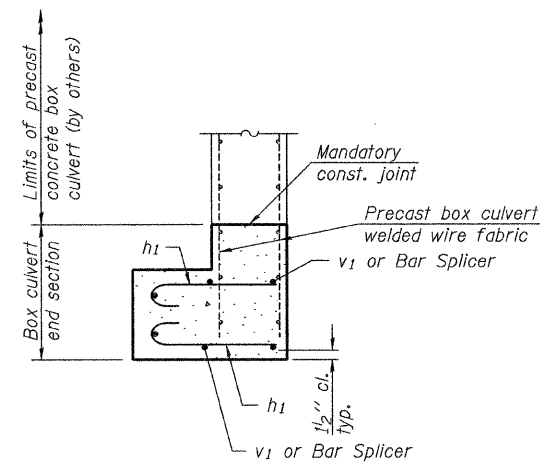
SECTION L-L



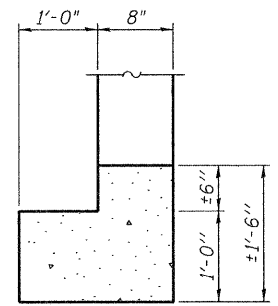
SECTION M-M



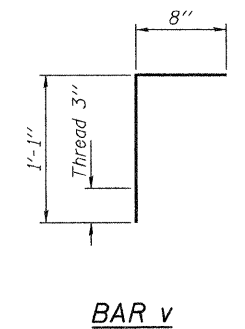
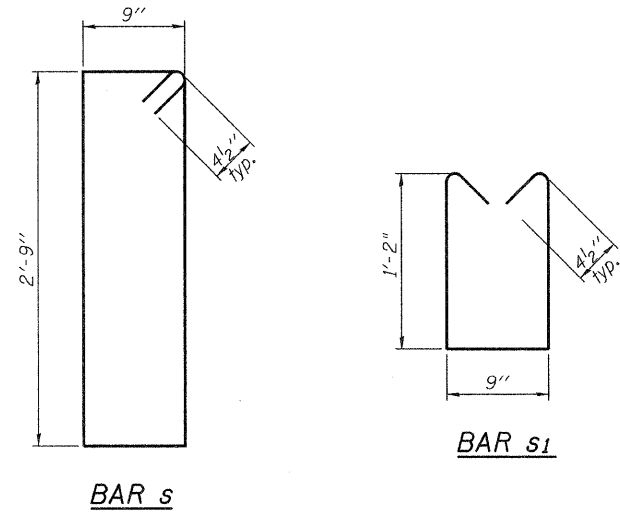
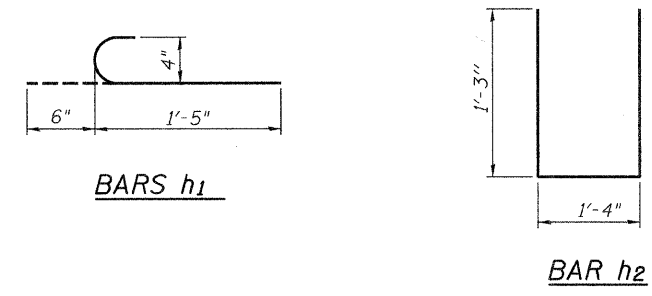
SECTION N-N



SECTION O-O (Showing reinforcement)



SECTION O-O (Showing dimensions)



ONE END SECTION BILL OF MATERIAL
(For information only)

Bar	No.	Size	Length	Shape	
h	8	#5	19'-8"	—	
h ₁	44	#4	1'-11"	C	
h ₂	7	#4	3'-10"	U	
h ₃	4	#7	19'-8"	—	
s	18	#4	7'-9"	□	
s ₁	18	#4	3'-10"	□	
v	18	#5	1'-9"	—	
v ₁	15	#5	7'-2"	—	
Concrete Box Culverts				Cu. Yd.	5.9
Reinforcement Bars				Pound	680
Bar Splicers				Each	12

BOX CULVERT END SECTION DETAILS
IL. RTE. 84 OVER UNNAMED CREEK
F.A.S. RTE. 5857 - SEC. 1R-T
ROCK ISLAND COUNTY
STATION 68+99.62