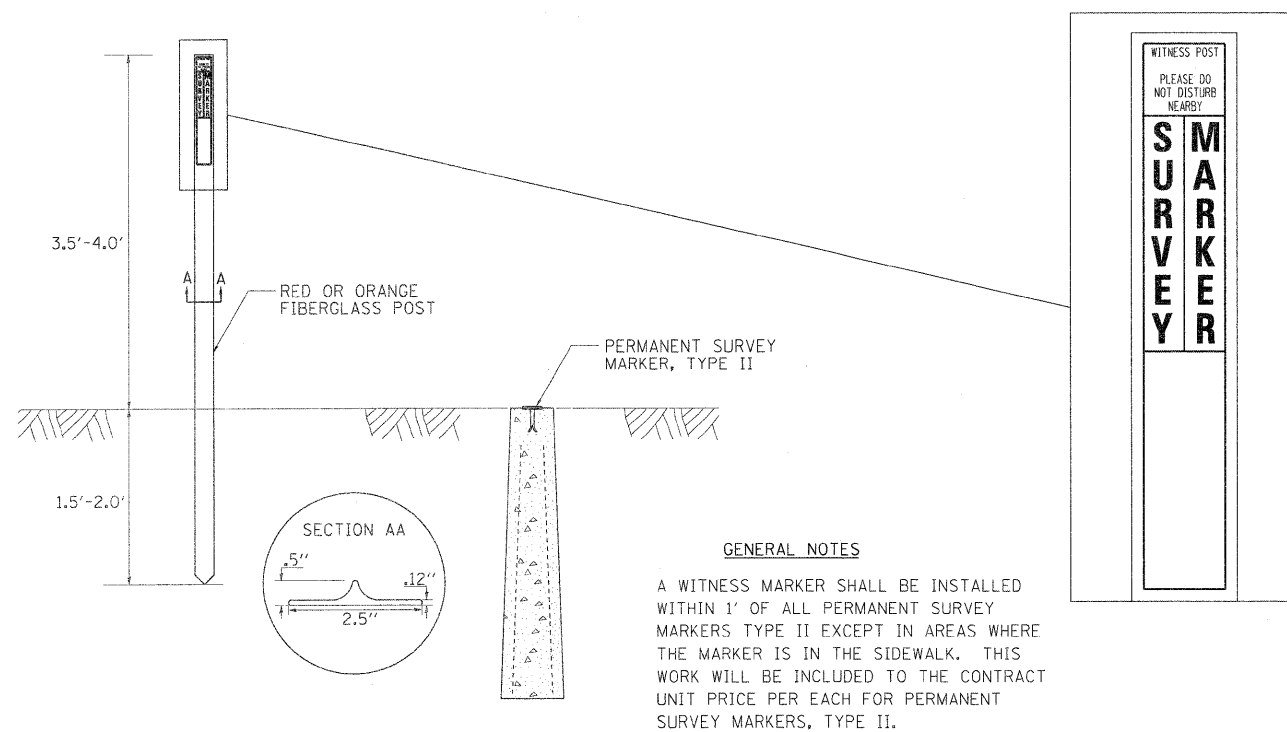
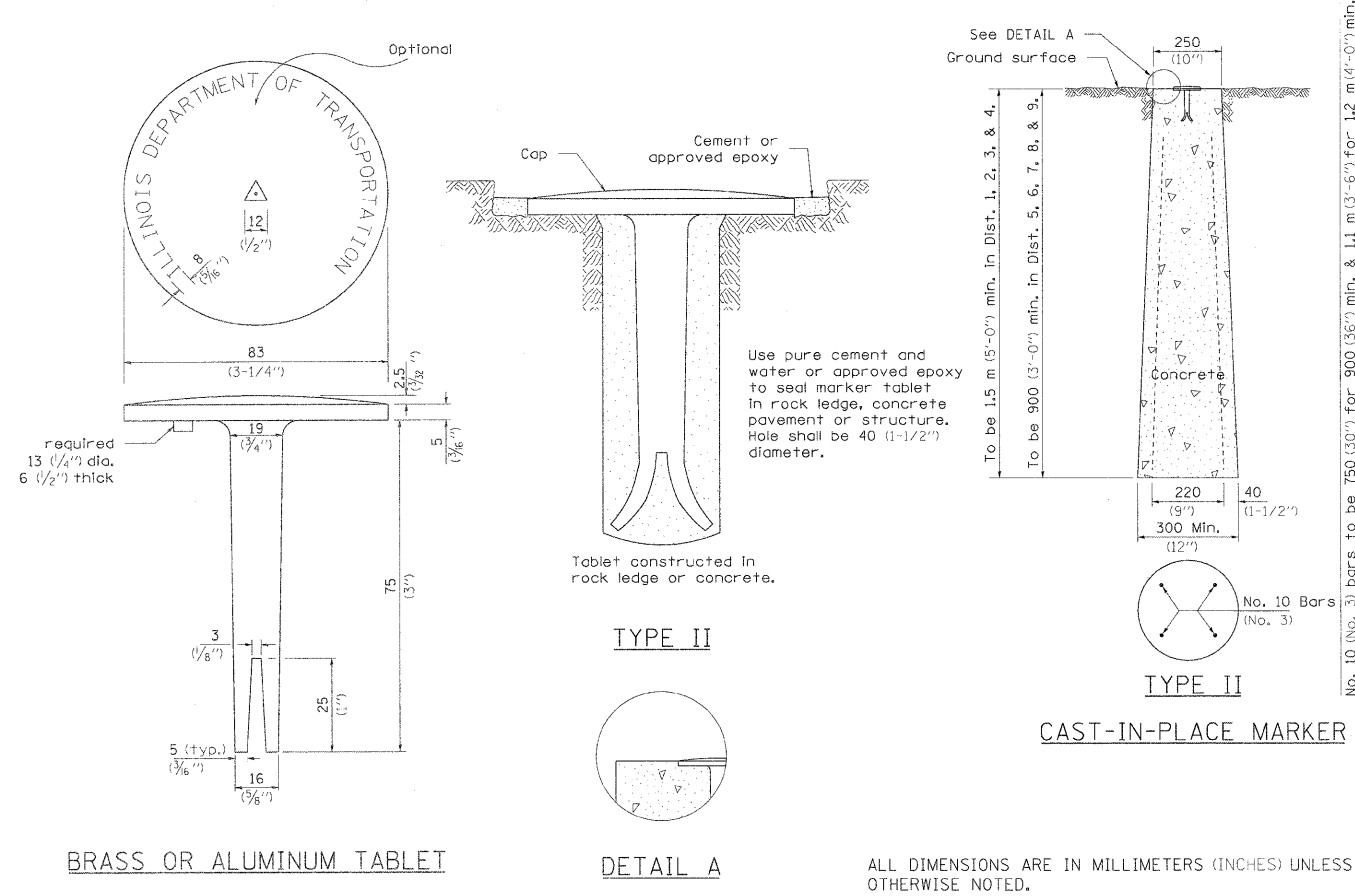


WITNESS MARKER FOR PERMANENT SURVEY MARKERS, TYPE II



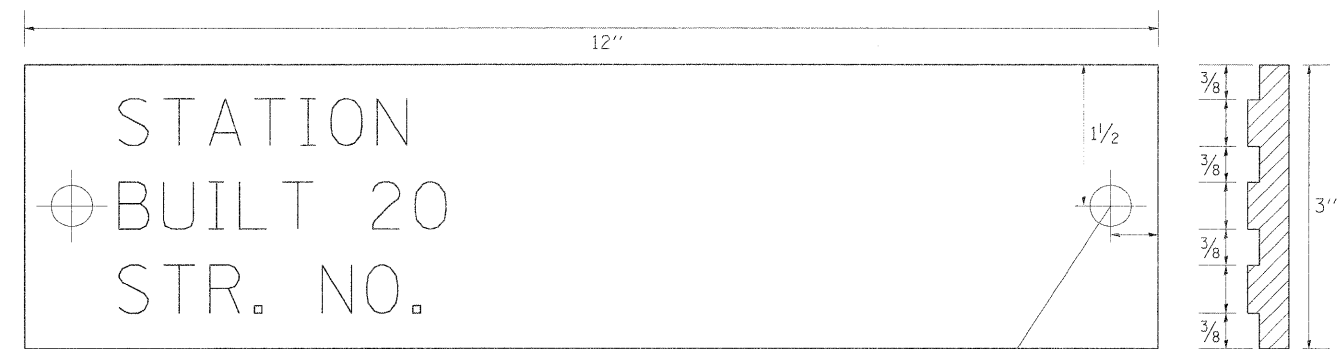
PERMANENT SURVEY MARKERS, TYPE II



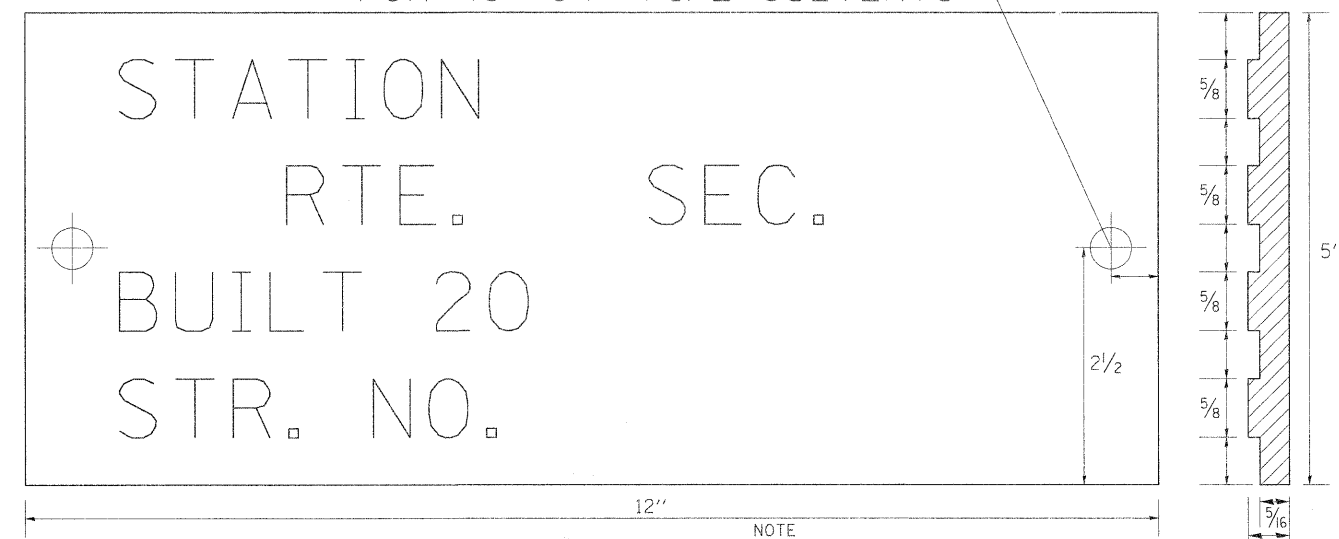
ALL DIMENSIONS ARE IN MILLIMETERS (INCHES) UNLESS OTHERWISE NOTED.

NAME PLATE FOR CULVERTS

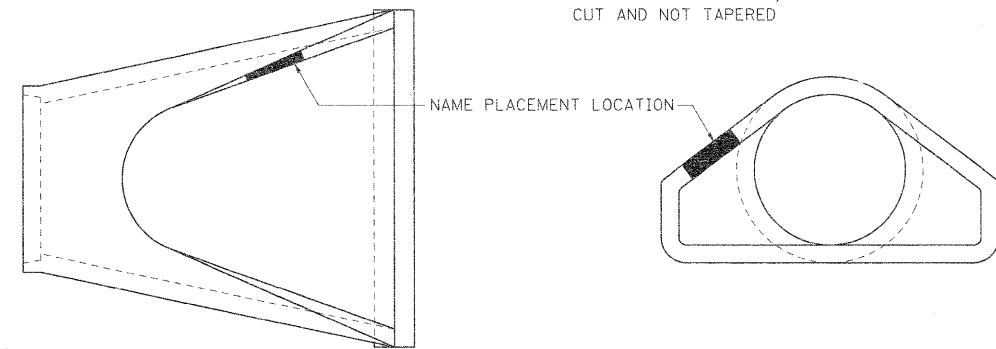
FOR 24"-42" PIPE CULVERTS



FOR 48"-84" PIPE CULVERTS



NOTE: LETTERING RAISED 1/8, SQUARE CUT AND NOT TAPERED



DESIGNERS NOTE

NAME PLATES SHALL BE FURNISHED & INSTALLED ACCORDING TO SECTION 515 OF THE STANDARD SPECIFICATIONS, EXCEPT 2 BOLTS SHALL BE USE TO FASTEN THE PLATE TO THE END SECTION.

USE STANDARD 515001 FOR BRIDGES AND MULTI-CELL CULVERTS WITH SPANS OF 20' OR MORE MEASURED ALONG THE CENTERLINE AT THE HIGHWAY.

USE THIS DETAIL FOR ALL OTHER PIPE CULVERTS & BOX CULVERTS WITH STRUCTURE NUMBERS. INCLUDE THE INFORMATION TO FILL OUT THE NAME PLATE FOR EACH CULVERT.

IN BOTH CASES INCLUDE A PAY ITEM FOR NAME PLATES.

STATION	STRUCTURE NO.
69+00	SN 081-1129

REVISED - 5-27-09	REGION 2 / DISTRICT 2 STANDARD	F.A.U. RTE.	SECTION	COUNTY	TOTAL SHEETS	SHEET NO.
REVISED -		5787	IR-T	ROCK ISLAND	25	20
REVISED -		CONTRACT NO. 64E31				
REVISED -		SCALE: 50.0000 1" = 10'	IN SHEET NO.	OF SHEETS	STA.	TO STA.