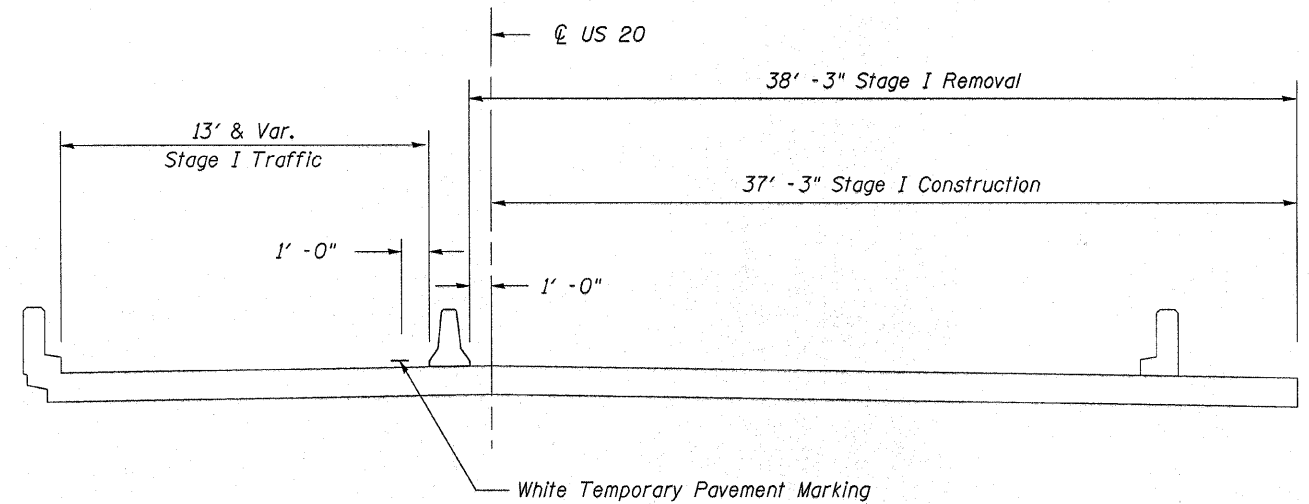
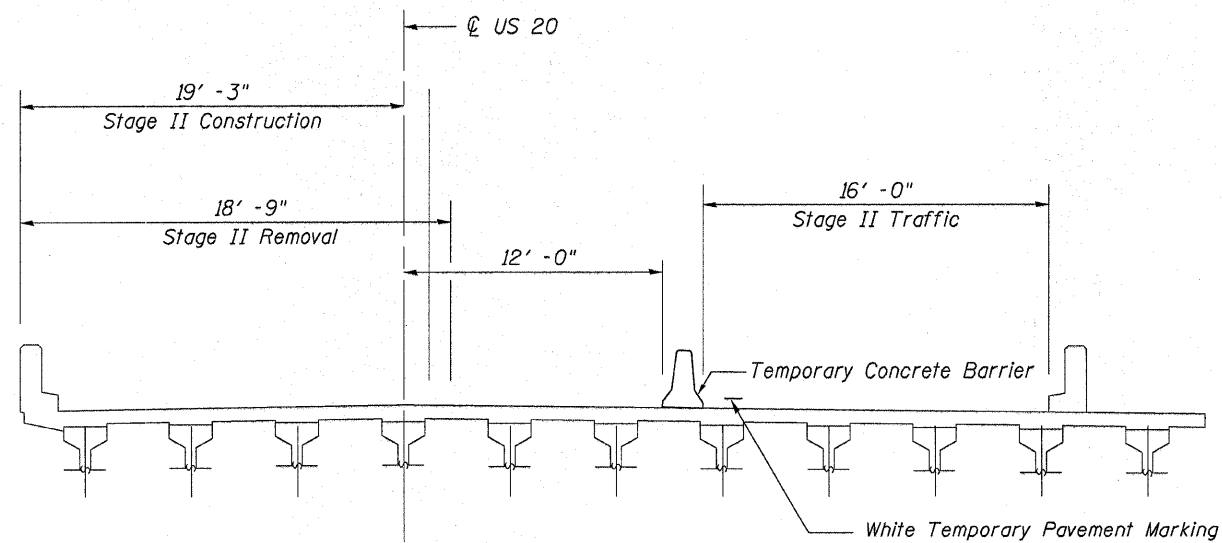


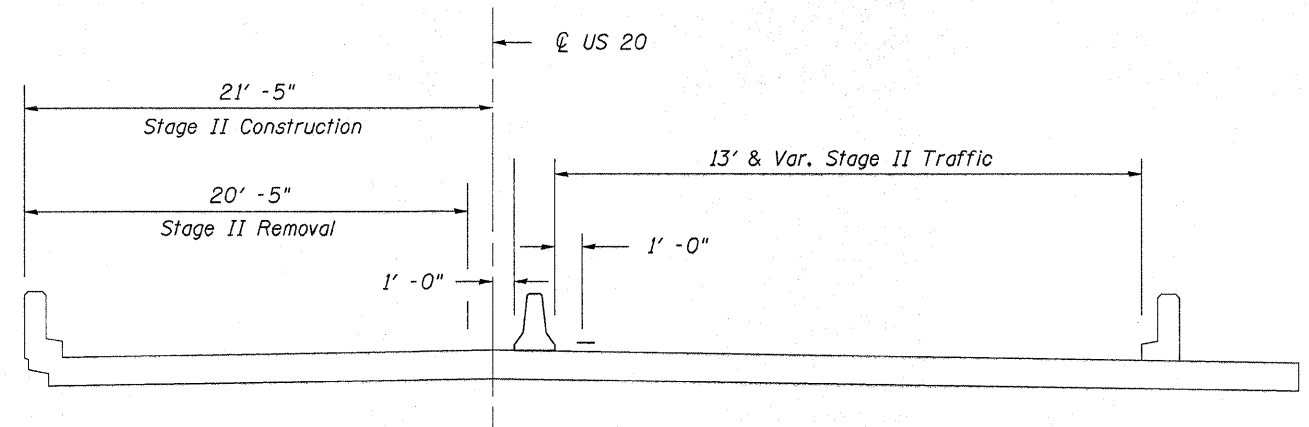
Stage I Cross Section
Looking West at West Abutment



Stage I Cross Section
Looking West at East Abutment



Stage II Cross Section
Looking West at West Abutment



Stage II Cross Section
Looking West at East Abutment

FILE NAME =	USER NAME = linkdj	DESIGNED -	REVISD -
G:\BRV\CADD plans\Jo Daviess County\0430043\PLANeng.dgn		DRAWN -	REVISD -
PLOT SCALE = 28.0000' / IN.		CHECKED -	REVISD -
PLOT DATE = Mon Jan 31 07:52:24 2011		DATE -	REVISD -

STATE OF ILLINOIS
DEPARTMENT OF TRANSPORTATION

Staging Cross Sections	
Structure No. 043-0043	
SCALE: _____	SHEET NO. _____ OF _____ SHEETS STA. _____ TO STA. _____

F.A.P. RTE.	SECTION	COUNTY	TOTAL SHEETS	SHEET NO.
301	(102VBRM-1)	Jo Daviess	22	14
CONTRACT NO. 64G82			ILLINOIS FED. AID PROJECT	