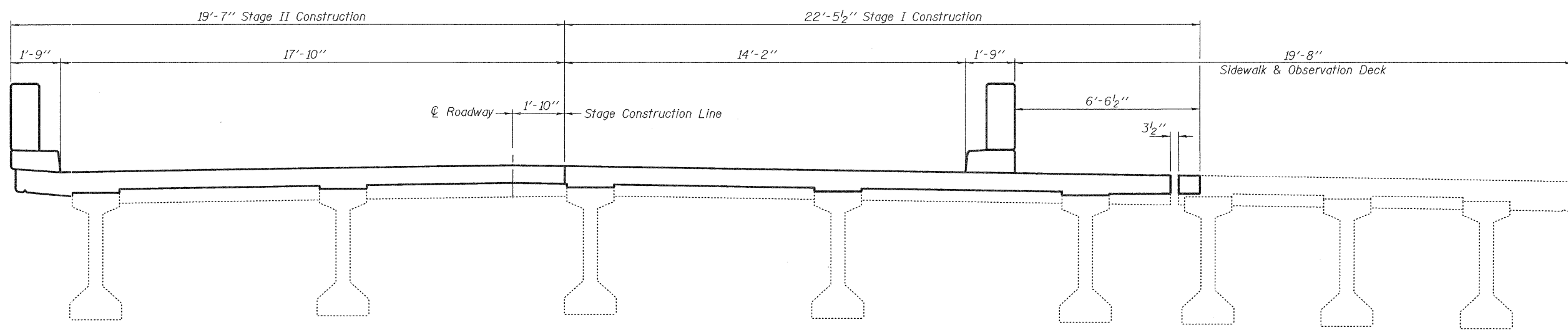


STAGE REMOVAL CROSS SECTION

(At Pier 5 Looking West from Span 5)

Note:
 Hatched areas indicate removal.
 The contractor shall use extreme care during concrete removal so as not to damage the PPC-I beams and any concrete to remain below the removal line.



STAGE CONSTRUCTION CROSS SECTION

(At Pier 5 Looking West from Span 5)

DESIGNED - ATH
 CHECKED - VHV
 DRAWN - **Drew Christopher**
 CHECKED - ATH VHV

EXAMINED *Joanne F. J...*
 ACTING ENGINEER OF STRUCTURAL SERVICES
 PASSED *Carl...*
 ACTING ENGINEER OF BRIDGES AND STRUCTURES
 DATE - MARCH 21, 2011

STATE OF ILLINOIS
DEPARTMENT OF TRANSPORTATION

STAGING DETAILS
SN 043-0043
 SHEET NO. 3 OF 8 SHEETS

F.A.P. RTE.	SECTION	COUNTY	TOTAL SHEETS	SHEET NO.
301	102VBR-M	JODAVIESS	12	17
			CONTRACT NO. 64682	
ILLINOIS FED. AID PROJECT				