

**GENERAL NOTES**

All structural steel shall conform to AASHTO Classification M-270 Gr. 36, unless otherwise noted.

Plan dimensions and details relative to existing plans are subject to nominal construction variations. The Contractor shall field verify existing dimensions and details affecting new construction and make necessary approved adjustments prior to construction or ordering of materials. Such variations shall not be cause for additional compensation for a change in scope of the work, however, the Contractor will be paid for the quantity actually furnished at the unit price bid for the work.

The contractor is advised that the existing PPC Deck Beams are in a deteriorated condition with reduced load carrying capacity. It is the contractors responsibility to account for the condition of the beams when developing construction procedures.

If the contractor's procedure for existing beam removal or placement of new beams involves placement of cranes or other heavy equipment on the bridge, a detailed procedure shall be submitted to the Engineer for approval. The procedure shall include calculations, prepared and sealed by an Illinois Licensed Structural Engineer, verifying that the equipment and procedure used will not overstress the new or existing beams. To distribute load to multiple beams and protect the existing surface, in all cases a double layer mat of heavy timbers shall be used at all times under crane tracks or wheels and any outriggers in the down position. If necessary, shims shall be used under the crane mat to ensure uniform contact with the underlying beams. If heavy equipment will be placed on new PPC deck beams, the following shall be done prior to placement of the timber mats: placement and tightening of transverse tie assemblies, grouting and curing the dowel rods 24 hours minimum and grouting and curing the shear keys.

Any damage done to the bridge during beam removal shall be repaired by the Contractor. Cost to be included in the cost of Removal of Existing PPC Deck Beams.

The top surface of the beams shall be finished according to the IDOT Manual for Fabrication of Precast Prestressed Concrete Products.

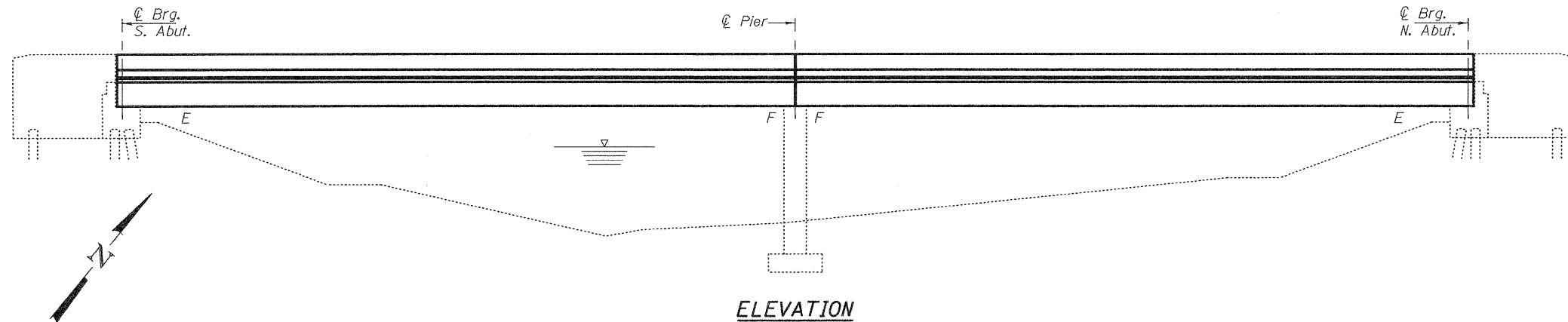
Temporary concrete barrier shall only be anchored into the overlay and not into the PPC Deck Beams.

All structural steel shall be shop painted with the inorganic zinc rich primer per AASHTO M300, Type 1. Cost included with PPC Deck Beams.

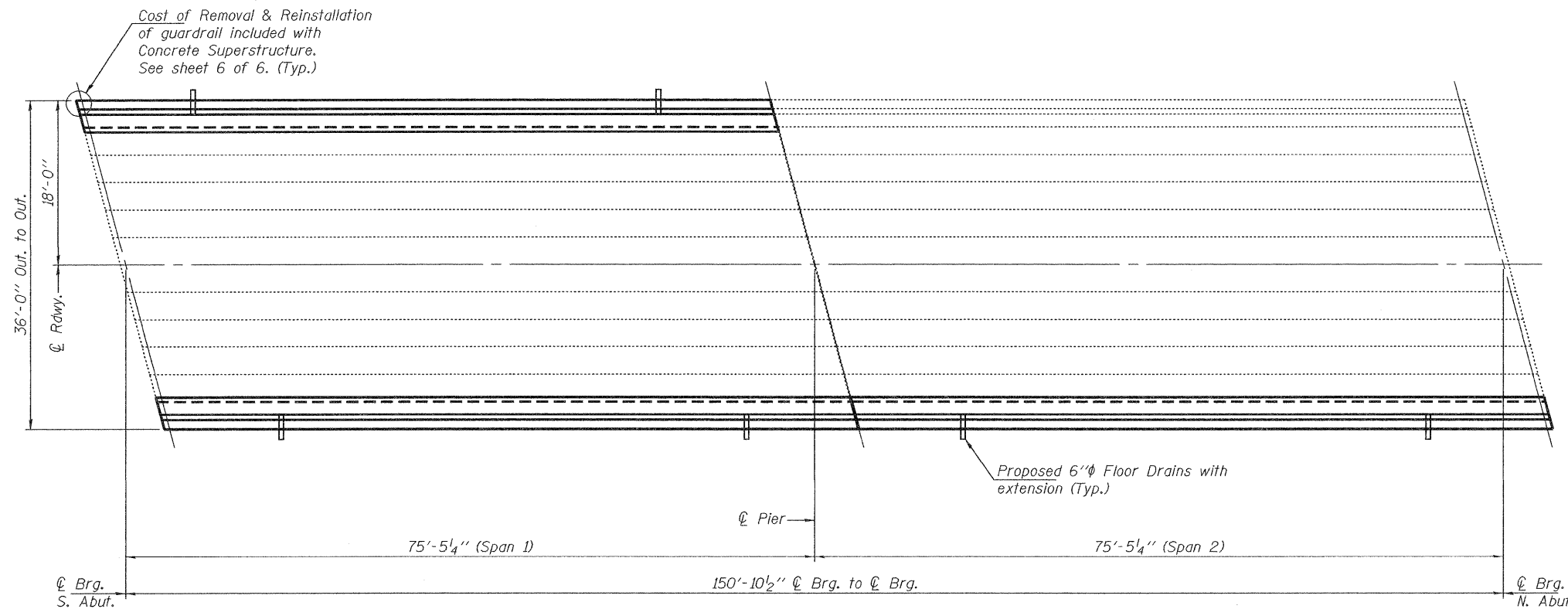
Reinforcement bars designated (E) shall be epoxy coated.

Reinforcement bars shall conform to the requirements of ASTM A 706 Gr 60. See Special Provisions.

Existing reinforcement bars extending into the removal area shall be cleaned, straightened and incorporated into the new construction. Any reinforcement bars that are damaged during concrete removal shall be replaced with an approved bar splicer or anchorage system. Cost included with Concrete Removal.

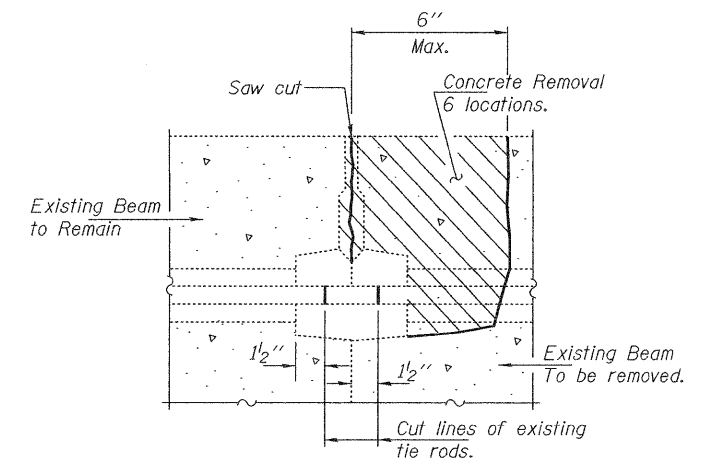


**ELEVATION**



**PLAN**

Remove & Replace Fascia P.P.C. Deck Beams  
(Spans 1 & 2 at E. Fascia, Span 1 at W. Fascia)



**BEAM REMOVAL DETAIL AT TRANSVERSE TIES**

**TOTAL BILL OF MATERIAL**

ITEM	UNIT	QUANTITY
Removal of Existing PPC Deck Beams	Sq. Ft.	684
Precast Prestressed Concrete Deck Beams (33" Depth)	Sq. Ft.	684
Reinforcement Bars Epoxy Coated	Pound	3,880
Asbestos Bearing Pad Removal	Each	3
Concrete Removal	Cu. Yd.	30.2
Concrete Superstructure	Cu. Yd.	30.2
Floor Drains	Each	6

**DESIGN STRESSES**

PRECAST PRESTRESSED UNITS  
 $f'c = 6,000$  psi  
 $f'ci = 5,000$  psi  
 $f's = 270,000$  psi ( $1/2"$  low lax strands)  
 $f'si = 201,960$  psi ( $1/2"$  low lax strands)  
 $f_y = 60,000$  psi (Reinforcement)



EXPIRES 11-30-2012

DESIGNED <i>[Signature]</i>	EXAMINED <i>[Signature]</i> ACTING ENGINEER OF STRUCTURAL SERVICES	DATE MARCH 11, 2011
CHECKED <i>[Signature]</i>	PASSED <i>[Signature]</i> ACTING ENGINEER OF BRIDGES AND STRUCTURES	
DRAWN Kyle M. Steffen		
CHECKED J.L.		

STATE OF ILLINOIS  
DEPARTMENT OF TRANSPORTATION

GENERAL PLAN & ELEVATION  
SN 043-0040

SHEET NO. 1 OF 6 SHEETS

F.A.P. RTE. 642	SECTION 110BR-3M	COUNTY JO DAVIESS	TOTAL SHEETS 12	SHEET NO. 7
CONTRACT NO. 64E90			ILLINOIS FED. AID PROJECT	