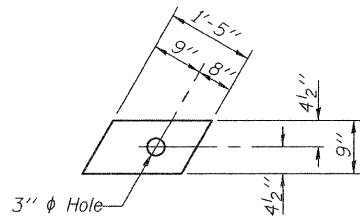


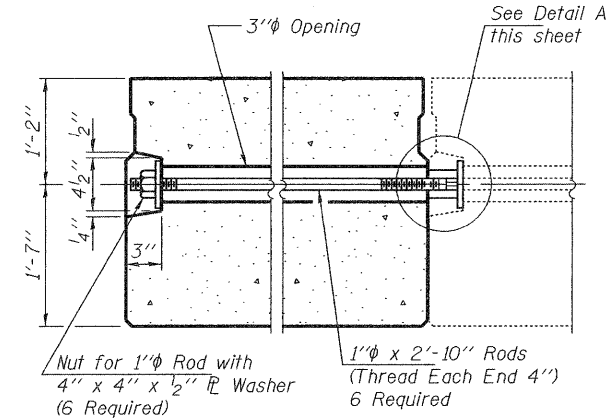
**FABRIC BEARING PAD**



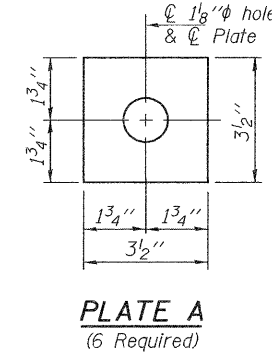
**FABRIC ADJUSTING SHIM**

**FIXED**

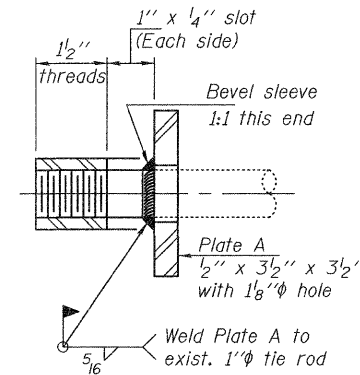
Note: Omit holes when using expansion bearings.



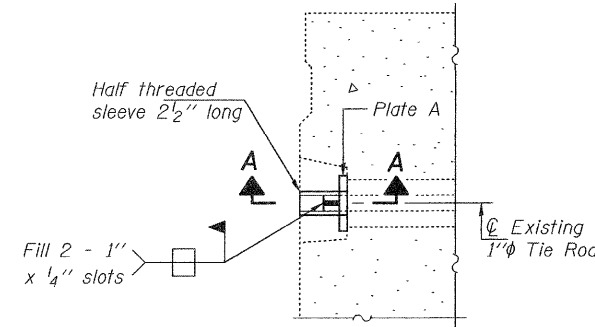
**TYPICAL TRANSVERSE TIE ASSEMBLY**



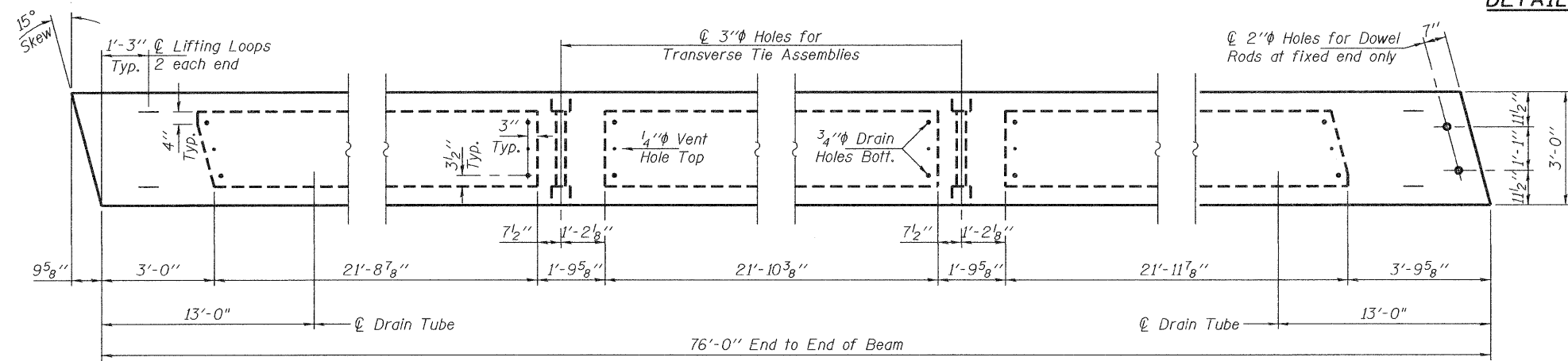
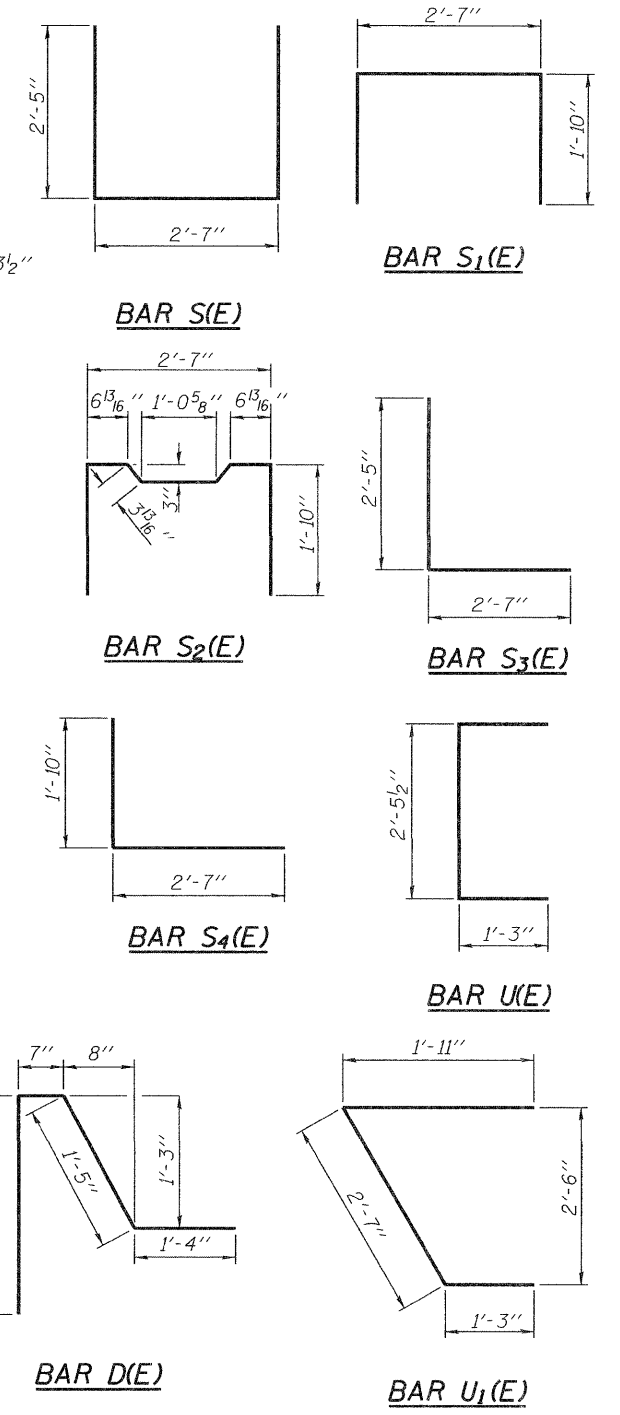
**PLATE A**  
(6 Required)



**SECTION A-A**  
(6 Required)

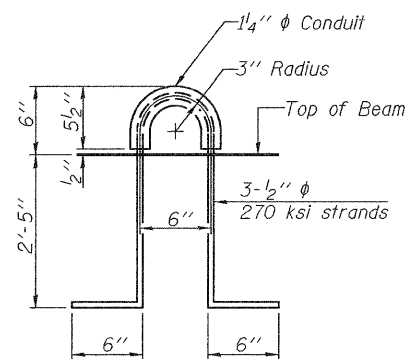


**DETAIL A**



**BEAM PLAN**

(Span 1 shown, Span 2 similar by 180° rotation)



**LIFTING LOOP DETAIL**

**NOTES**

Prestressing steel shall be uncoated high strength, low relaxation 7-wire strand, Grade 270. The nominal diameter shall be 1/2" and the nominal cross-sectional area shall be 0.153 sq. in.  
 The 1" rods in the transverse tie assembly shall be tightened to a snug fit and the threads set. Pockets on exterior faces of bridge shall be filled with grout after transverse tie assembly is in place.  
 Reinforcement bars shall conform to ASTM A 706, Grade 60. (See Special Provisions).  
 Two 1/8" fabric adjusting shims of the dimensions shown shall be provided for each bearing pad location.  
 A minimum 2 1/2" lifting pin shall be used to engage the lifting loops during handling.  
 Corrosion Inhibitor, per Article 1020.05(b)(12) and 1021.06 of the Standard Specifications, shall be used in the concrete for precast prestressed concrete deck beams.  
 Compressive strength of prestressed concrete, f'c, shall be 6000 psi.  
 Compressive strength of prestressed concrete at release, f'ci, shall be 5000 psi.

**BILL OF MATERIAL**

Precast Prestressed Conc. Deck Bms. (33" depth)	Sq. Ft.	684
---	---------	-----

DESIGNED	IJL	EXAMINED	Joey F. Jelliff	DATE	MARCH 11, 2011
CHECKED	GGE	PASSED	ACTING ENGINEER OF STRUCTURAL SERVICES		
DRAWN	Kyle M. Steffen		ACTING ENGINEER OF BRIDGES AND STRUCTURES		
CHECKED	IJL GGE				

**STATE OF ILLINOIS**  
**DEPARTMENT OF TRANSPORTATION**

**33" x 36" PPC DECK BEAM DETAILS**  
**SN 043-0040**

SHEET NO. 3 OF 6 SHEETS

F.A.P. RTE.	SECTION	COUNTY	TOTAL SHEETS	SHEET NO.
642	(10BR-3M)	JO DAVIESS	12	9
CONTRACT NO. 64E90			ILLINOIS FED. AID PROJECT	