

STATE OF ILLINOIS
DEPARTMENT OF PUBLIC WORKS & BUILDINGS
DIVISION OF HIGHWAYS

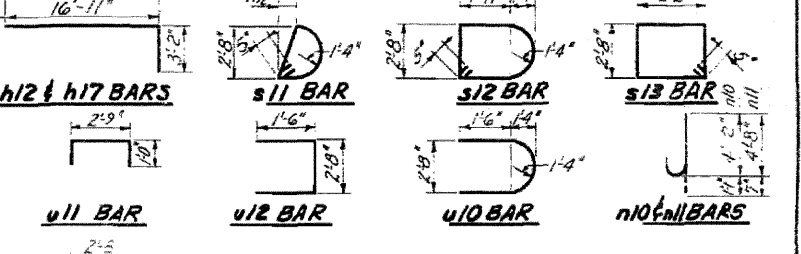
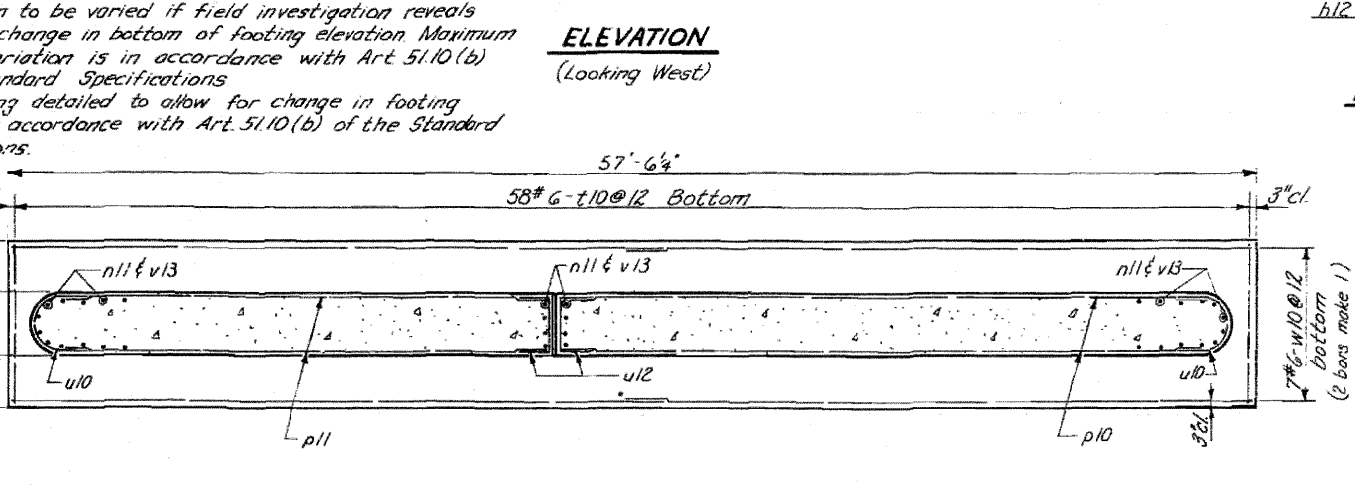
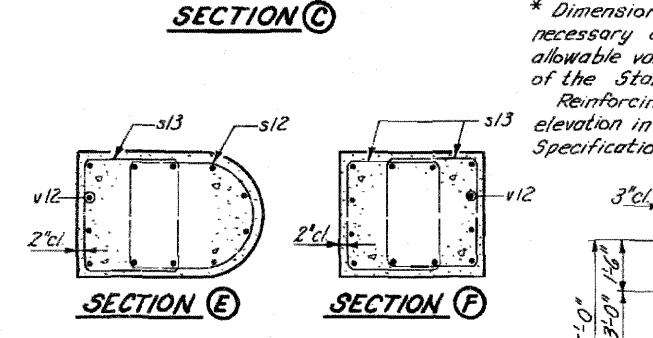
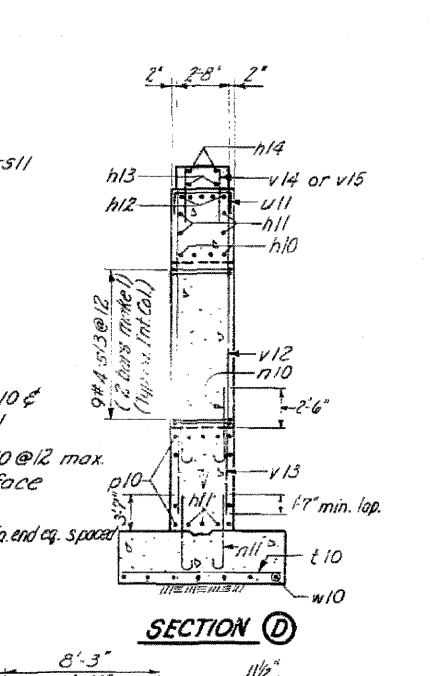
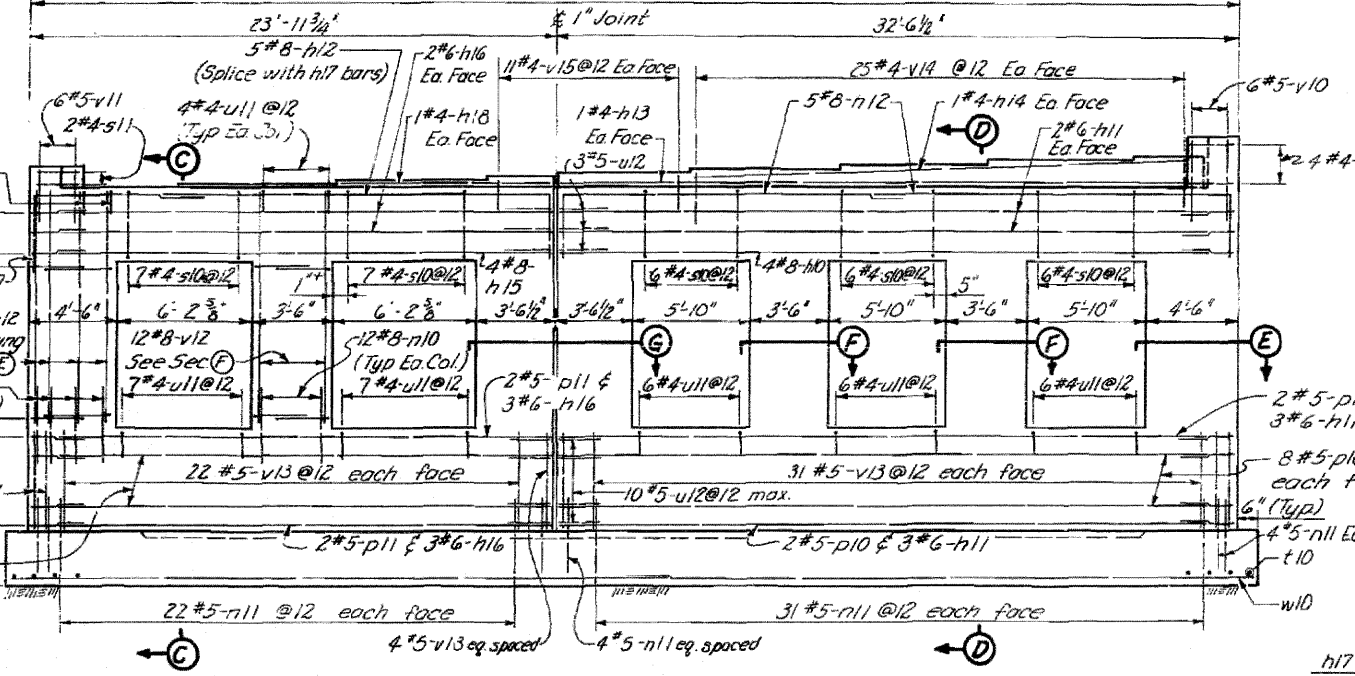
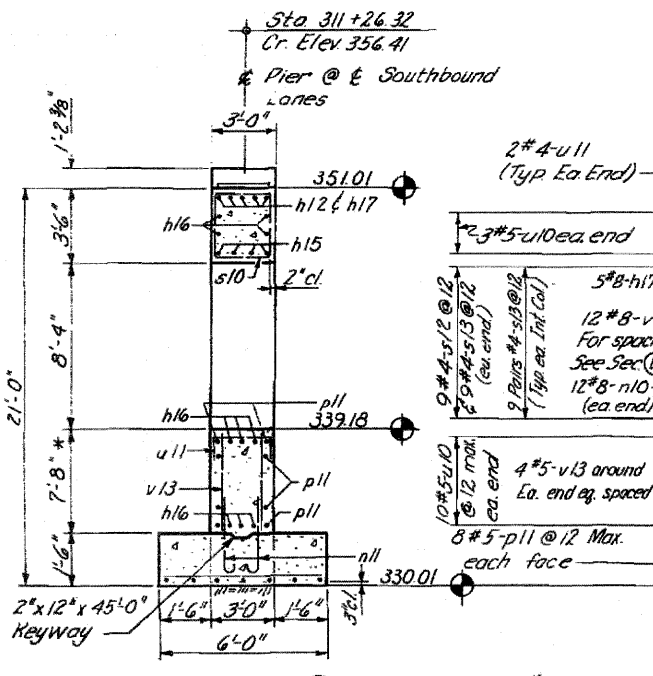
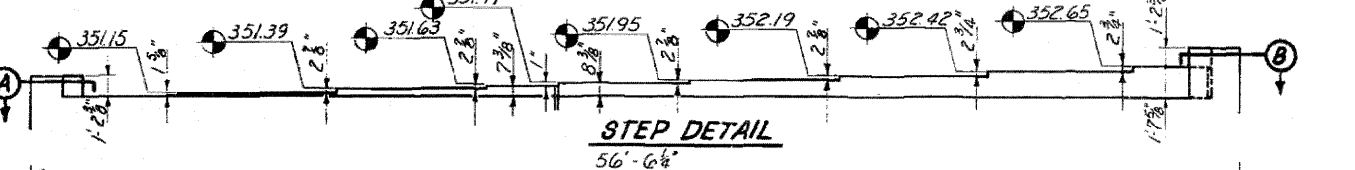
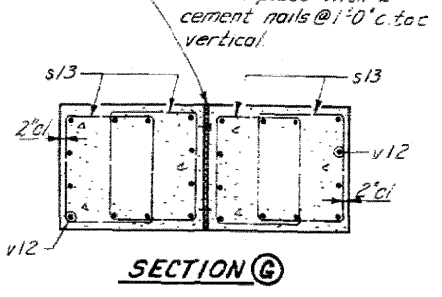
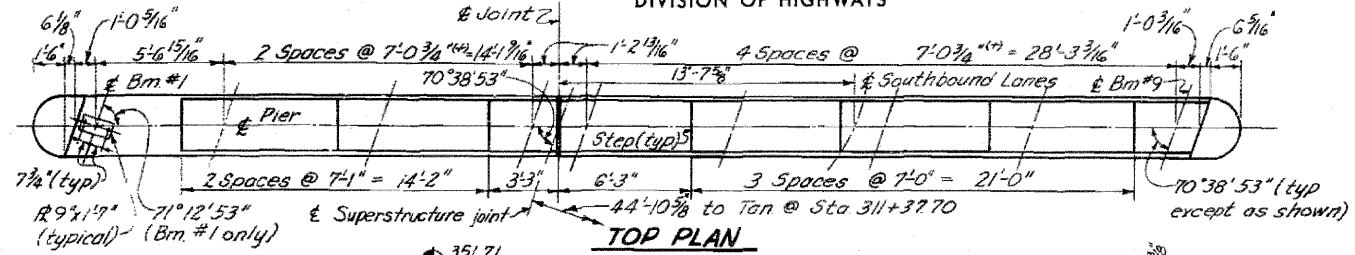
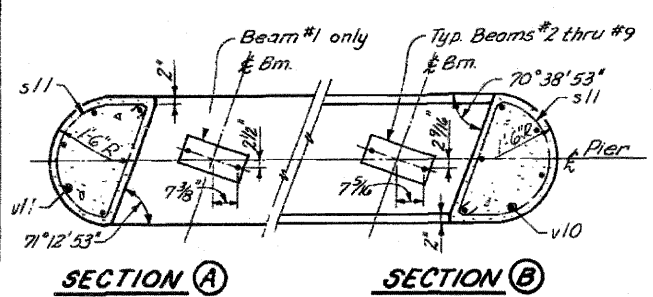
ROUTE NO.	SEC.	COUNTY	TOTAL SHEETS	SHEET NO.
FAI-57	46-2	KANKAKEE	46	25
STA.	TD STA.			
FED. ROAD DIST. NO. 7 ILLINOIS FED. AID PROJECT				

SHT. 15
OF 29

BILL OF MATERIAL

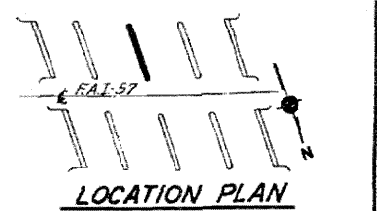
Bar No.	Size	Length	Shape
h10	4 #8	30'-9"	—
h11	10 #6	30'-9"	—
h12	15 #8	24'-1"	—
h13	2 #4	30'-9"	—
h14	2 #4	24'-6"	—
h15	4 #8	22'-3"	—
h16	10 #6	22'-3"	—
h17	5 #8	11'-5"	—
h18	2 #4	9'-9"	—
n10	84 #8	5'-3"	—
n11	122 #5	5'-3"	—
p10	20 #5	30'-9"	—
p11	20 #5	22'-3"	—
s10	32 #4	12'-6"	—
s11	6 #4	8'-10"	—
s12	18 #4	11'-7"	—
s13	108 #4	10'-6"	—
u10	58 #6	5'-5"	—
u11	26 #5	7'-3"	—
u12	56 #4	4'-9"	—
u13	26 #5	5'-8"	—
v10	6 #5	4'-5"	—
v11	6 #5	2'-3"	—
v12	84 #8	11'-5"	—
v13	122 #5	7'-5"	—
v14	50 #4	2'-6"	—
v15	22 #4	1'-6"	—
w10	14 #6	29'-3"	—

Class X Concrete Cu. Yd. 118.9
Reinforcement Bars Lbs. 11,857
Cl A Excav. for Struct. Cu. Yd. 171



NOTE:
All edges shall have standard 3/4" chamfer except footing.

DESIGNED	VNS.	EXAMINED	
CHECKED	D.N.	ENGINEER OF BRIDGE AND TRAFFIC STRUCTURES	
DRAWN	L.S. & J.L.C.	PASSED	
CHECKED	L.J.L.	ENGINEER OF DESIGN	
		APPROVED	
		CHIEF HIGHWAY ENGINEER	



ILLINOIS DIVISION OF HIGHWAYS
PIER NO. 2, SOUTH BRIDGE
FAI. RTE. 57 SEC. 46-2 HB
KANKAKEE COUNTY
STA. 311 + 37.70

FOR INFORMATION ONLY Added 4-26-11