

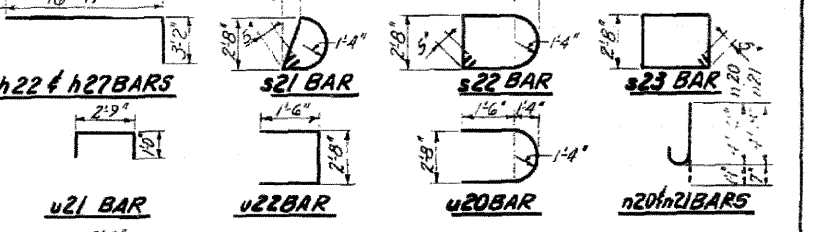
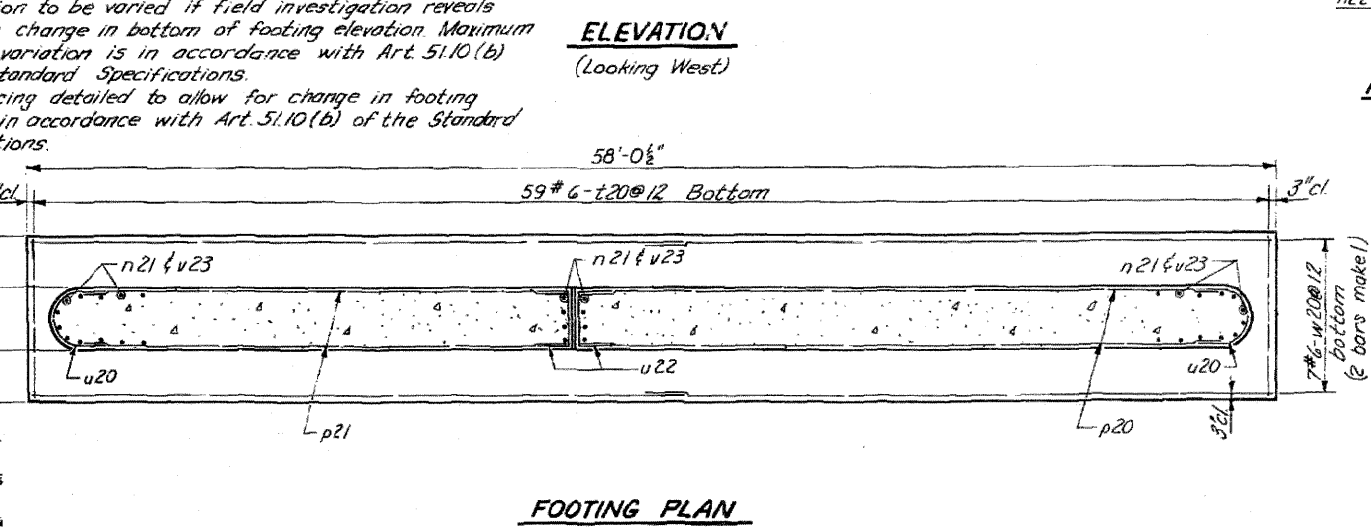
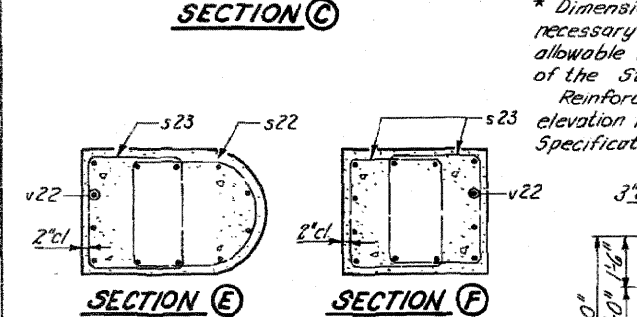
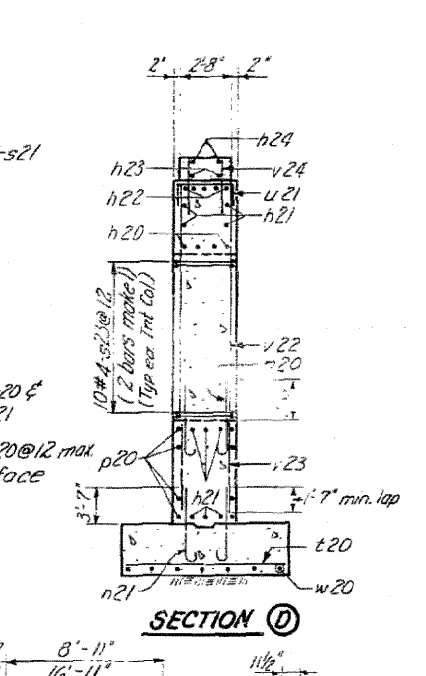
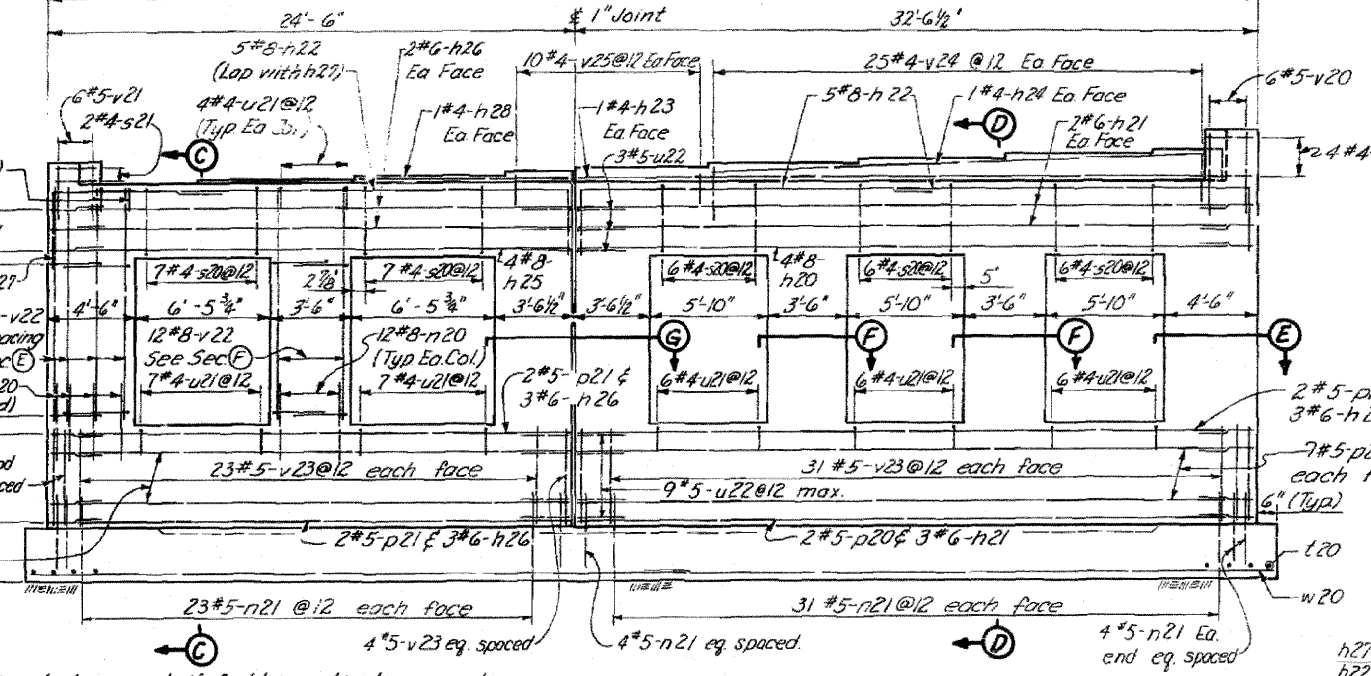
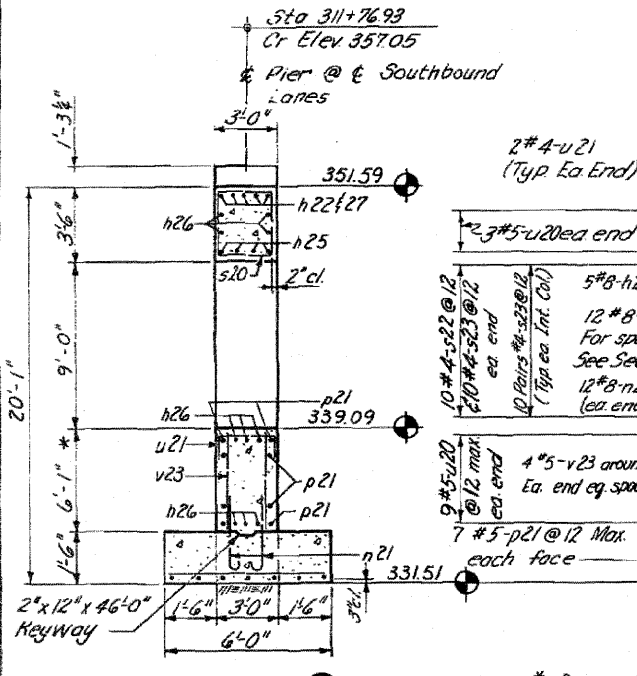
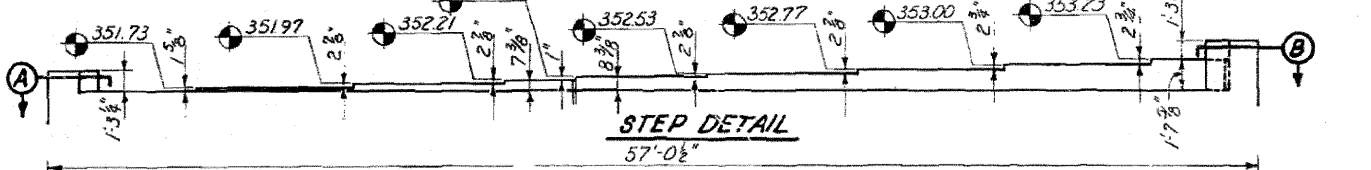
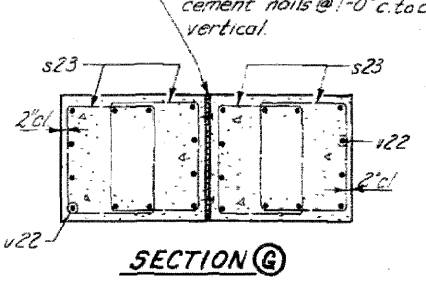
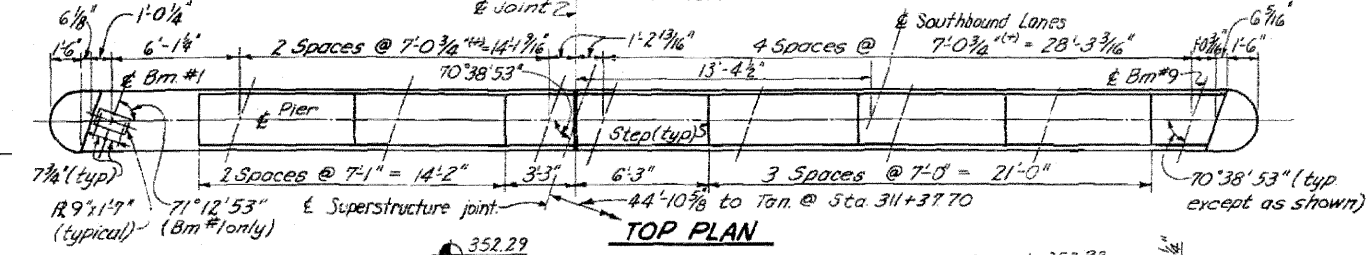
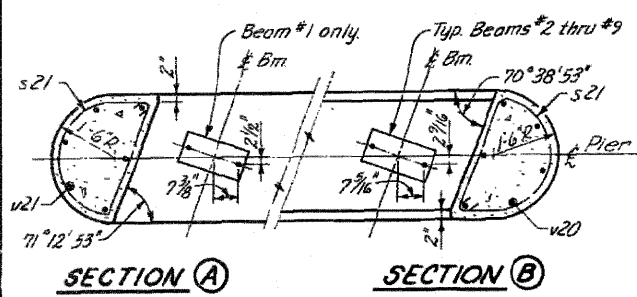
STATE OF ILLINOIS
DEPARTMENT OF PUBLIC WORKS & BUILDINGS
DIVISION OF HIGHWAYS

ROUTE NO.	SEC.	COUNTY	TOTAL SHEETS	SHEET NO.
FAI-57	46-2	KANKAKEE	46	26
STA.	TO STA.			
FED. ROAD DIST. NO. 7, ILLINOIS, FED. AID PROJECT				

SHT. 16
OF 29

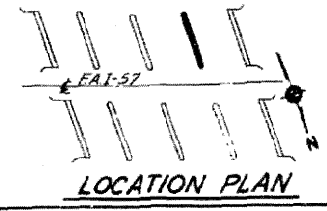
BILL OF MATERIAL

Bar No.	Size	Length	Shape
n20	#8	5'-3"	
n21	#5	5'-3"	
p20	#5	36'-9"	
p21	#5	22'-9"	
s20	#4	12'-6"	
s21	#4	8'-10"	
s22	#4	11'-7"	
s23	#4	10'-6"	
t20	#6	5'-6"	
u20	#5	7'-3"	
u21	#4	4'-9"	
u22	#5	5'-8"	
v20	#5	4'-0"	
v21	#5	2'-3"	
v22	#8	12'-3"	
v23	#5	5'-11"	
v24	#4	2'-6"	
v25	#4	1'-6"	
w20	#6	29'-6"	
Class X Concrete			Cu. Yd. 1029
Reinforcement Bars			Lbs. 11,832
Class A Exposed for Struct.			Cu. Yd. 103



NOTE:
All edges shall have standard 3/4\"/>

ILLINOIS DIVISION OF HIGHWAYS
PIER NO. 3, SOUTH BRIDGE
FAI. RTE 57 SEC. 46-2 HB
KANKAKEE COUNTY
STA. 311 + 37.70



FOR INFORMATION ONLY Added 4-26-11

DESIGNED	VNS.	EXAMINED	
CHECKED	J.N.	ENGINEER OF BRIDGE AND TRAFFIC STRUCTURES	
DRAWN	L.S. & J.L.C.	PASSED	
CHECKED	L.J.L.	ENGINEER OF DESIGN	
		APPROVED	
		CHIEF HIGHWAY ENGINEER	